

FISHER & PAYKEL

PRELIMINARY SPECIFICATION GUIDE

CONVECTION SPEED OVEN, 24"



OVERVIEW

The perfect addition to the kitchen, this Convection Speed Oven provides a variety of fast cooking options including True Convection and Broil.

MODELS

Convection Speed Oven, 24", Black with stainless steel
OM24NDB1

Trim Kit, 30", Black with stainless steel
TK30NDB1

SERIES & STYLE

Series 9
Contemporary Style

MODELS

Convection Speed Oven, 24", Black
OM24NDBB1

Trim Kit, 30", Black
TK30NDBB1

SERIES & STYLE

Series 9
Minimal Style

FEATURES

- ① Choice of stainless steel or elegant black trim
- ② Install in multiple configurations to suit your kitchen design
- ③ Optional 30" trim kit allows seamless vertical configuration when paired with a Fisher & Paykel 30" Oven
- ④ Intuitive touch display with capacitive touch controls
- ⑤ Six cooking modes and size microwave levels. 900W microwave power, 1500W fan element power.
- ⑥ CoolTouch door protecting your hands and the surrounding cabinetry
- ⑦ Easy to clean stainless steel interior
- ⑧ 1.3 cu ft total capacity
- ⑨ Full width broil function with 1500W power
- ⑩ Automatic cooking allows you to program in desired cooking mode and duration

ACCESSORIES

- ① Optional 30" trim kit
- ② Baking pan and wire shelf
- ③ Turntable wire stand
- ④ Glass turntable

FISHER & PAYKEL

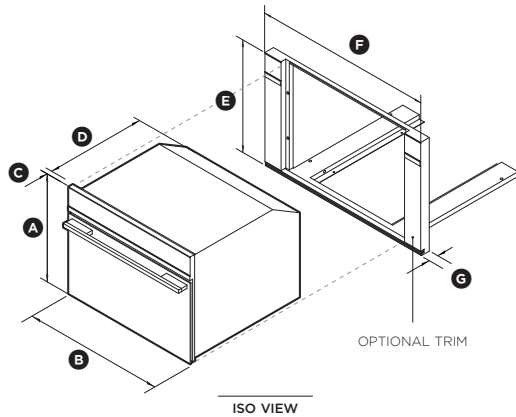
PRELIMINARY SPECIFICATION GUIDE

CONVECTION SPEED OVEN, 24"

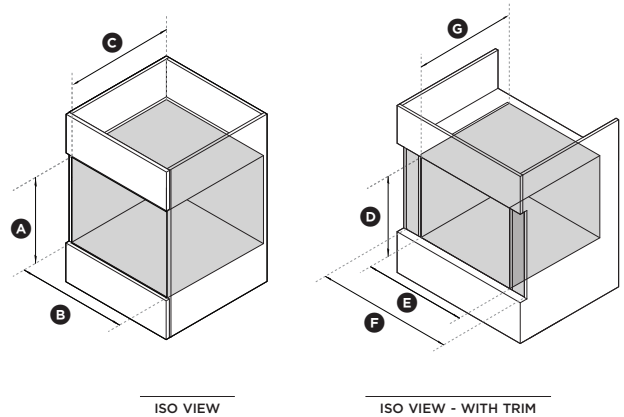
SPECIFICATIONS

| | |
|-----------------------|--|
| Model No. | OM24NDB1 (Optional 30" Trim Kit TK30NDB1) OM24NDBB1 (Optional 30" Trim Kit TK30NDBB1) |
| Dimensions | H 18 1/16" (458mm) x W 23 1/2" (596mm) x D 22 1/8" (562mm) |
| Total capacity | 1.3 cu ft (37L) |
| Weight | 38kg (84lb) |
| Electrical | |
| Supply | 120V / 208V - 120V / 240V 60Hz |
| Service | 15 Amp circuit |
| Receptacle | Hard wired |

PRODUCT DIMENSIONS



CAVITY DIMENSIONS: STANDARD INSTALLATION



| | | in | mm |
|-----|---|----------|-----|
| (A) | Overall height of speed oven | 18 1/6 | 458 |
| (B) | Overall width of speed oven | 23 1/2 | 596 |
| (C) | Depth of speed oven front and control panel | 7/8 | 22 |
| (D) | Depth of speed oven chassis | 21 1/4 | 540 |
| (E) | Height of optional trim | 18 13/16 | 478 |
| (F) | Width of optional trim | 29 13/16 | 757 |
| (G) | Depth of optional trim front | 1 5/8 | 42 |

| | | in | mm |
|-----|--|----------|-----|
| (A) | Height of cavity | 17 3/4 | 450 |
| (B) | Minimum inside width of cavity | 22 1/16 | 560 |
| (C) | Minimum inside depth of cavity | 22 1/16 | 560 |
| (D) | Height of cavity with trim | 28 15/16 | 480 |
| (E) | Minimum inside width of cavity with trim | 30 | 761 |
| (F) | Width needed to include trim within cabinetry | 22 1/16 | 560 |
| (G) | Minimum inside depth of cavity with trim - proud install | 22 1/16 | 560 |
| | Minimum inside depth of cavity with trim - flush install | 23 5/6 | 600 |

Note: Ventilation required at the rear of the cavity.