

# Freestanding French Door Refrigerator Freezer, 32", 16.8 cu ft, Ice & Water

Series 7 | Contemporary

Stainless Steel | French hinge



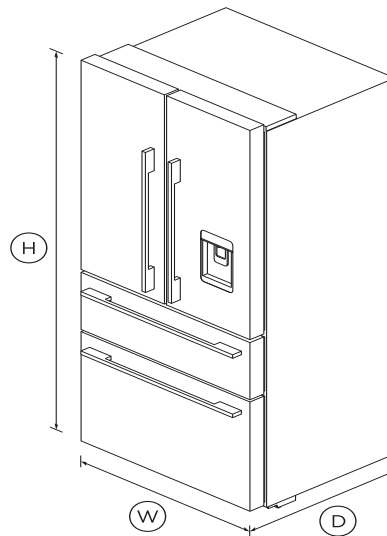
Designed for those who need plenty of flexible space. Counter-depth design, with a stylish stainless steel finish for a seamless look.

- ActiveSmart™ technology helps keep food fresher for longer by constantly maintaining the ideal temperature.
- Door water dispenser and internal ice maker with boost function
- Spacious bottom freezer with easy-slide internal drawers to separate storage

- With SmartTouch control panel for ease of use

## DIMENSIONS

Height	70 1/2"
Width	31 1/8"
Depth	27 1/16"



## FEATURES & BENEFITS

### Activesmart™ Foodcare

ActiveSmart™ Foodcare learns how you live. It is technology which understands how you use your refrigerator and adjusts temperature, airflow and humidity inside to help keep food fresher for longer.

### Easy Slide Drawers

With two independent freezer drawers and adjustable internal shelving and storage options, this refrigerator can be configured to suit your constantly changing needs.

### Ultra Slim Water Dispenser

The slimline water dispenser is easy to use. The angled water delivery means that almost any size or shape of vessel can be filled, while taking up no storage space in the door.

### Ice maker

The internal ice maker delivers fresh ice to a dedicated freezer bin. Simply turn it off to free up freezer space or during busy times boost ice production by up to 30%.

### Design Quality

Our refrigerators are designed and built using quality materials. We use real stainless steel, brilliant LED lighting, and solid glass for the interior shelving.

### Easy To Organize

There are multiple storage options for you to choose from. Different sized adjustable shelves and door storage give you plenty of room to stack and pack all your groceries. Full extension runners make it easy to remove storage bins and clean them out.

## SPECIFICATIONS

### Accessories (sold separately)

Water filter replacement	847201 - FWC4
--------------------------	---------------

### Capacity

Total gross capacity	16.8cu ft
Volume freezer	6.2cu ft
Volume refrigerator	10.6cu ft

### Features

Adjustable door shelves	8
Cantilevered glass shelves	4
Covered door shelves	2
Door alarm	•
Front levelling feet	•
Fruit and vegetable bins	2
Full extension runners	•
LED lighting	•
Rear rollers	•
SmartTouch control panel	•
Stackable bottle holders	4
Ultra slim water dispenser	•

**Freezer Features**

Automatic ice maker	•
Bottle chill	•
Door alarm	•
Fast freeze	•
Ice Boost	•
Ice bin and scoop	•
LED lighting	•

**Performance**

ActiveSmart™ Foodcare	•
Frost free freezer	•
Humidity control system	•
Internal replaceable water filter	•
Inverter controlled compressor	•
R600a refrigerant	•
Sabbath mode	•

**Product dimensions**

Depth	27 1/16"
Height	70 1/2"
Minimum air clearance - at rear	1 3/16"
Minimum air clearance - each	1 3/16"
Minimum air clearance - on top	1 3/16"
Width	31 1/8"

**Warranty**

Parts and labour	2 years
Sealed system parts and labor	additional 3 years

SKU 24885

The product dimensions and specifications in this page apply to the specific product and model. Under our policy of continuous improvement, these dimensions and specifications may change at any time. You should therefore check with Fisher & Paykel's Customer Care Centre to ensure this page correctly describes the model currently available. Fisher & Paykel Appliances Ltd 2020

**Where applicable:**

All appliances use energy, and energy usage typically generates carbon emissions. **Fisher & Paykel Appliances' In-use Energy Carbon Emissions Estimate** indicates carbon emissions from a product's in-use energy. This is calculated either annually or per cycle, using the product's market-specific energy label energy consumption data multiplied by the carbon emissions factor for energy in your country or region.

Our In-use Energy Carbon Emissions Estimate is designed to assist customers in making informed purchasing decisions when comparing different Fisher & Paykel products. For example, a heat pump dryer typically has a lower In-use Energy Carbon Emissions Estimate than a vented dryer.

**Other product downloads available at fisherpaykel.com**

- [↓](#) User Guide
- [↓](#) User Guide
- [↓](#) Guide d'utilisation FR
- [↓](#) Service & Warranty
- [↓](#) Energy Label Freestanding Quad Door Refrigerator Freezer
- [↓](#) Installation Guide EN
- [↓](#) Guide d'installation FR
- [↓](#) Water Filter Replacement Instructions & Installation Guide EN
- [↓](#) Guide d'installation - Instructions de Remplacement du Filtre à Eau FR
- [↓](#) Data Sheet Freestanding French Door Fridge Freezer



**A PEACE OF MIND SALE**

24 Hours 7 Days a Week Customer Support

T 1.888.936.7872 **W**www.fisherpaykel.com