

**30" BUILT-IN OVENS AND COMPANIONS  
MINIMAL**

---

PLANNING GUIDE

---

**SERIES 9 & 11**

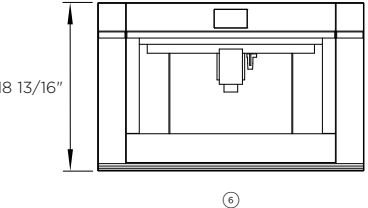
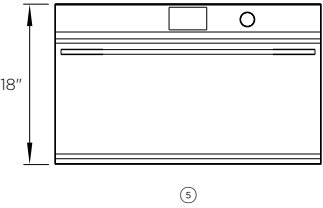
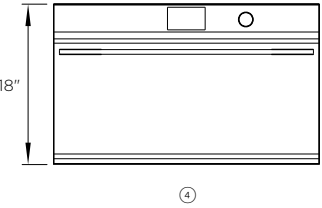
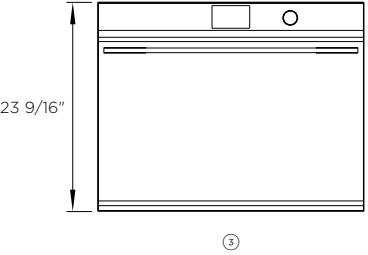
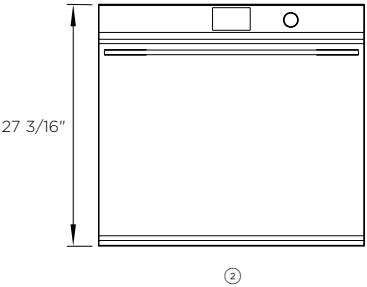
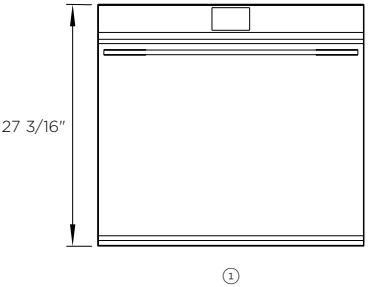
OB30SDPTDB1 | OB30SDPTB1 | OS30SDTDB1 | OS30NDTDB1 |  
OM30NDTDB1 | EB24DSXBB1 | TK30NDBB1 | WB30SDB1-SET |  
VB30SDB1-SET

**FISHER & PAYKEL**

This comprehensive Planning Guide provides you with the framework and tools to achieve your desired design outcome with Fisher & Paykel appliances. In this guide, you will find a range of conceptual, detailed, and dimensional product information to bring your ideas to life and create spaces that truly reflect your vision.

CONCEPT DESIGN	PAGE	DEVELOPED AND DETAILED DESIGN	PAGE	DEVELOPED AND DETAILED DESIGN	PAGE
Design Choices	3				
<b>Specification Guides Oven</b>		Planning Guide information for Developed and Detailed Design available in <b>Q3 2024</b>			
Built-In Oven	6				
<b>Specification Guides Steam &amp; Speed Ovens</b>					
Combination Steam Oven	8				
Combination Steam Oven	10				
Convection Speed Oven	11				
<b>Specification Guides Coffee Maker</b>					
Built-In Coffee Maker with Trim Kit	13				
<b>Specification Guides Drawers</b>					
Warming Drawer	15				
Vacuum Seal Drawer	17				

## DESIGN CHOICES



**PRODUCT OVERVIEW**

① **OB30SDPTB1**  
Built-In Oven, 5" Touchscreen

② **OB30SDPTDB1**  
Built-In Oven, 5" Touchscreen, Dial Control

③ **OS30SDTDB1** (AVAILABLE Q3, 2024)  
Combination Steam Oven, 5" Touchscreen, Dial Control

④ **OS30NDTDB1** (AVAILABLE Q3, 2024)  
Combination Steam Oven, 5" Touchscreen, Dial Control

⑤ **OM30NDTDB1** (AVAILABLE Q3, 2024)  
Convection Speed Oven, 5" Touchscreen, Dial Control

⑥ **EB24DSXBB1 (Trim Kit TK30NDBB1)**  
Built-in Coffee Maker, 4.3" Touchscreen

⑦ **WB30SDB1-SET**  
Warming Drawer

⑧ **VB30SDB1-SET**  
Vacuum Seal Drawer

NOTE: Consider height for side-by-side installation.

# **SPECIFICATION GUIDE**

## SERIES 9 & 11



Built-in Oven OB30SDPTDB1 with Dial Controls



Built-in Oven OB30SDPTB1

## OVERVIEW

Enhance your kitchen design with the 30" Oven. Refined styling means it matches seamlessly with our Minimal kitchen appliances to create a coherent, considered look and feel. Intuitive controls and the performance to deliver perfect results make this oven beautiful to use.

## PRODUCTS

### OB30SDPTDB1

Built-In Oven, 30", 17 Function, 4.1 cu ft, Dial Controls, Touchscreen

### OB30SDPTB1

Built-In Oven, 30", 17 Function, 4.1 cu ft, Touchscreen

## SERIES & STYLE

Series 9  
Minimal

## FEATURES

- ① Designed to fit flush with cabinetry
- ② Styled to perfectly match our Minimal kitchen appliances
- ③ Generous 4.1cu ft total capacity
- ④ High-resolution, user-friendly touch display
- ⑤ Guided cooking and recipes
- ⑥ Perfect results from a variety of oven functions
- ⑦ Even heat distribution throughout with AeroTech™ technology
- ⑧ Self-cleaning
- ⑨ CoolTouch door

## ACCESSORIES

- ① Full-extension sliding shelves\*
- ② Self-cleaning-proof side racks\*
- ③ Roasting dish, tray and rack\*
- ④ Wired Temperature Sensor\*

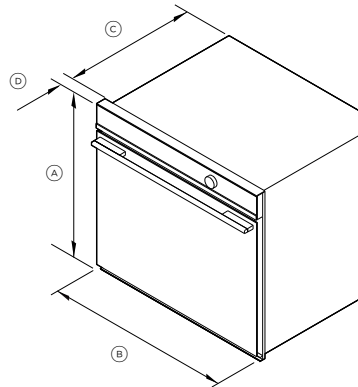
\*Included with product

The models shown in this Planning Guide may not be available in all markets and are subject to change at any time. Product specifications may vary from those shown. This Planning Guide should not be used as installation guidance for any product. Further information is required to safely and correctly install the products featured here. Specific installation guidance will be available on our website [fisherpaykel.com](https://fisherpaykel.com)

**SPECIFICATIONS**

<b>Model No.</b>	OB30SDPTDB1, Built-In Oven - With Dial OB30SDPTB1, Built-In Oven - No Dial
<b>Dimensions</b>	<b>H</b> 27 3/16" <b>W</b> 29 15/16" <b>D</b> 24"
<b>Total Oven Capacity</b>	4.1cu ft (115L)
<b>Weight</b>	
Packaged	242lb (110kg)
<b>Electrical</b>	
Supply	208 V or 240 V, 60 Hz
Service	20 A

**PRODUCT DIMENSIONS**

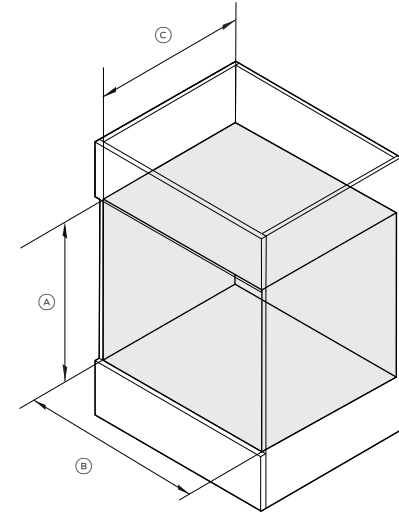


ISO VIEW

	inch	mm
(A) Overall height	27 3/16	690
(B) Overall width	29 15/16	760
(C) Depth of chassis	22 7/16	569
(D) Thickness of oven front and control panel (excl. handle and dials)	1 9/16	40
Depth of oven door when fully open (measured from front of control panel)	21 11/16	550

NOTE: If installing with other minimal products, consider trim front thickness.

**CAVITY DIMENSIONS: STANDARD INSTALLATION**



ISO VIEW

	inch	mm
(A) Minimum inside height of cavity	26 13/16	681
(B) Minimum inside width of cavity	28 1/2	724
(C) Minimum inside depth of cavity for flush installation	24 3/16	615



## OVERVIEW

With subtle Minimal styling, the Combination Steam Oven fits seamlessly into any kitchen. As a companion product, this oven is designed to install easily and fit perfectly with other companion products such as the Combination Microwave Oven, or Vacuum Seal Drawer. It features 23 functions, including steam-only, convection-only, or a combination of both. Reduce the need for oils and fats with six standalone steam functions, perfect for creating flavorful and healthy restaurant-quality meals at home. Beautiful to use, the large 5" touchscreen interface has simple and intuitive guided cooking, helping to ensure perfect results.

## PRODUCTS

### OS30SDTDB1

Combination Steam Oven, 30", 23 Function

## SERIES & STYLE

Series 11  
Minimal

## FEATURES

- ① Minimal styling, designed to fit flush
- ② Generous 3cu ft total capacity with six shelf positions
- ③ Intuitive, large 5" touchscreen display with illuminated dial
- ④ 23 oven functions including six steam-only functions
- ⑤ Moisture control and even heat distribution thanks to ActiveVent and AeroTech™ technology
- ⑥ Guided cooking, with the option to access additional functionality via the SmartHQ™ app, with the purchase of the wireless temperature sensor.
- ⑦ Water tank capacity of 50.7 fl oz
- ⑧ Wi-Fi/Connected capability through the SmartHQ™ app
- ⑨ Wireless Temperature Sensor precisely monitors cooking in real time. Purchased separately
- ⑩ Soft open and close door

## ACCESSORIES

- ① Full-extension sliding shelves\*
- ② Self-cleaning-proof side racks\*
- ③ Roasting dish, tray and rack\*
- ④ Wired Temperature Sensor\*
- ⑤ Descale solution - 2 sachets, Part 580925

\*Included with product

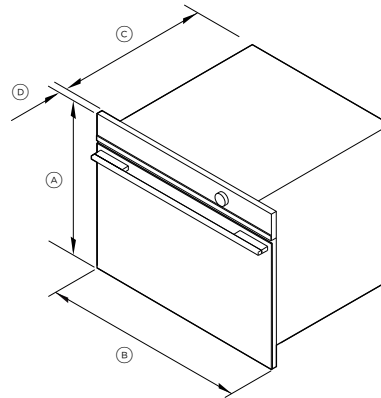
The models shown in this Planning Guide may not be available in all markets and are subject to change at any time. Product specifications may vary from those shown. This Planning Guide should not be used as installation guidance for any product. Further information is required to safely and correctly install the products featured here. Specific installation guidance will be available on our website [fisherpaykel.com](https://fisherpaykel.com)



**SPECIFICATIONS**

<b>Model No.</b>	OS30SDTDB1
<b>Dimensions</b>	<b>H</b> 23 9/16" <b>W</b> 29 15/16" <b>D</b> 22 1/4"
<b>Total Oven Capacity</b>	3cu ft (85L)
<b>Weight</b>	
Packaged	152lb (69kg)
Unpackaged	119lb (54kg)
<b>Electrical</b>	
Supply	208 V or 240 V, 60 Hz
Service	20 A

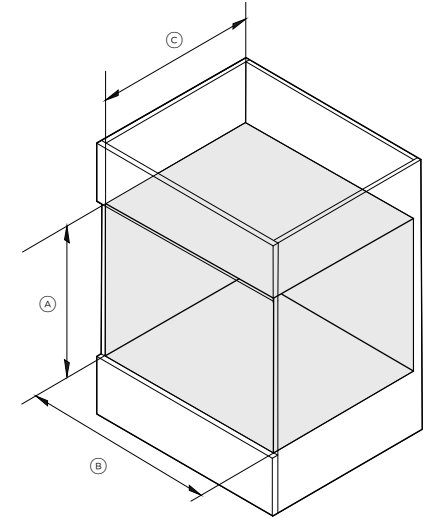
**PRODUCT DIMENSIONS**



ISO VIEW

	inch	mm
(A) Overall height	23 9/16	598
(B) Overall width	29 15/16	760
(C) Depth of chassis	21 7/16	545
(D) Thickness of oven front and control panel (excl. handle and dials)	13/16	20
Depth of door when fully open (measured from front of control panel)	18 1/8	460

**CAVITY DIMENSIONS: STANDARD INSTALLATION**



ISO VIEW

	inch	mm
(A) Minimum inside height of cavity	22 13/16	580
(B) Minimum inside width of cavity	28 1/2	724
(C) Minimum inside depth of cavity for flush installation	22 7/16	570

The models shown in this Planning Guide may not be available in all markets and are subject to change at any time. Product specifications may vary from those shown. This Planning Guide should not be used as installation guidance for any product. Further information is required to safely and correctly install the products featured here. Specific installation guidance will be available on our website [fisherpaykel.com](http://fisherpaykel.com)



## OVERVIEW

With timeless Contemporary styling, the Combination Steam Oven fits seamlessly into any kitchen. As a companion product, this oven is designed to install easily and fit perfectly with other companion products such as the Combination Microwave Oven, or Vacuum Seal Drawer. It features 23 functions, including steam-only, convection-only, or a combination of both. Reduce the need for oils and fats with six standalone steam functions, perfect for creating flavorful and healthy restaurant-quality meals at home. Beautiful to use, the large 5" touchscreen interface has simple and intuitive guided cooking, helping to ensure perfect results.

## PRODUCTS

**OS30NDTDB1**  
Combination Steam Oven, 30", 23 Function

## SERIES & STYLE

Series 9  
Minimal

## FEATURES

- ① Contemporary style, designed to fit flush with cabinetry
- ② Generous 1.9cu ft total capacity with six shelf positions
- ③ Intuitive, large 5" touchscreen display with illuminated dial
- ④ 23 oven functions, including six steam-only functions
- ⑤ Moisture control and even heat distribution thanks to ActiveVent and AeroTech™ technology
- ⑥ Guided cooking, with the option to access additional functionality via the SmartHQ™ app, with the purchase of the wireless temperature sensor
- ⑦ Water tank capacity of 50.7 fl oz
- ⑧ Wi-Fi/Connected capability through the SmartHQ™ app
- ⑨ Wireless Temperature Sensor precisely monitors cooking in real time. Purchased separately
- ⑩ Soft open and close door

## ACCESSORIES

- ① Full-extension sliding shelves\*
- ② Step down wire shelf\*
- ③ Roasting dish, tray and rack\*
- ④ Wired Temperature Sensor\*
- ⑤ Descale solution - 2 sachets, Part 580925

\*Included with product

The models shown in this Planning Guide may not be available in all markets and are subject to change at any time. Product specifications may vary from those shown. This Planning Guide should not be used as installation guidance for any product. Further information is required to safely and correctly install the products featured here. Specific installation guidance will be available on our website [fisherpaykel.com](https://fisherpaykel.com)



## OVERVIEW

With timeless Contemporary styling, the Convection Speed Oven fits seamlessly into any kitchen. As a companion product, this Speed Oven is designed to install easily and fit perfectly with other companion products such as the Combination Steam Oven, or Vacuum Seal Drawer. A flexible appliance that pairs the speed of microwave cooking with oven technology, which can crisp and brown as it cooks. Featuring 22 cooking functions on an intuitive touch display for easy programming of desired cooking mode and duration.

## PRODUCTS

### OM30NDTDB1

Convection Speed Oven, 30", 22 Function

## SERIES & STYLE

Series 9  
Minimal

## FEATURES

- ① Contemporary style, designed to fit flush with cabinetry
- ② 1.7cu ft total capacity
- ③ Intuitive, large 5" touchscreen display with illuminated dial
- ④ With 22 functions: four microwave, 14 oven and four combination
- ⑤ A Wired Temperature Sensor precisely monitors cooking in real time
- ⑥ Guided cooking, with the option to access additional functionality via the SmartHQ™ app
- ⑦ Wi-Fi/Connected capability
- ⑧ Soft open and close door

## ACCESSORIES

- ① Chromed shelf runners\*
- ② Glass tray\*
- ③ Wire shelf\*
- ④ Wired Temperature Sensor\*

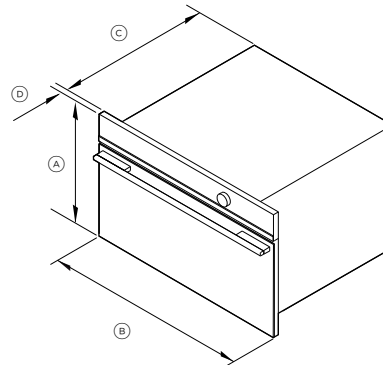
\*Included with product

The models shown in this Planning Guide may not be available in all markets and are subject to change at any time. Product specifications may vary from those shown. This Planning Guide should not be used as installation guidance for any product. Further information is required to safely and correctly install the products featured here. Specific installation guidance will be available on our website [fisherpaykel.com](http://fisherpaykel.com)

**SPECIFICATIONS**

<b>Model No.</b>	OS30NDTDB1, Combination Steam Oven OM30NDTDB1, Convection Speed Oven
<b>Dimensions</b>	<b>H</b> 18" <b>W</b> 29 15/16" <b>D</b> 22 1/4"
<b>Total Oven Capacity</b>	
OS30NDTDB1	1.9cu ft (55L)
OM30NDTDB1	1.7cu ft (49L)
<b>Weight</b>	
Packaged	121lb (55kg)
Unpackaged	101lb (46kg)
<b>Electrical</b>	
Supply	208 V or 240 V, 60 Hz
Service	20 A

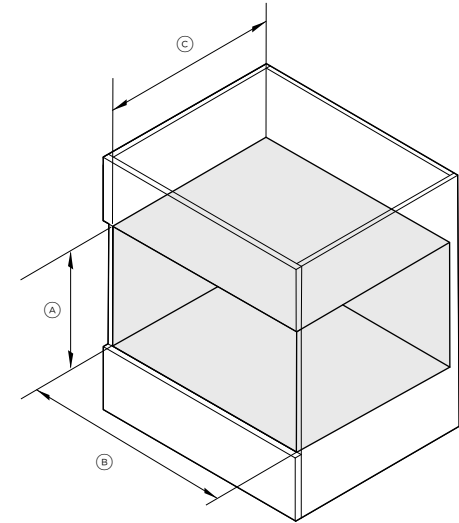
**PRODUCT DIMENSIONS**



ISO VIEW

	inch	mm
(A) Overall height	18	458
(B) Overall width	29 15/16	760
(C) Depth of chassis	21 7/16	545
(D) Thickness of oven front and control panel (excl. handle and dials)	13/16	20
Depth of door when fully open (measured from front of control panel)	12 5/8	320

**CAVITY DIMENSIONS: STANDARD INSTALLATION**



ISO VIEW

	inch	mm
(A) Minimum inside height of cavity	17 5/16	440
(B) Minimum inside width of cavity	28 1/2	724
(C) Minimum inside depth of cavity for flush installation	22 7/16	570

Note: Convection Speed Oven requires ventilation at the rear of the cavity.

The models shown in this Planning Guide may not be available in all markets and are subject to change at any time. Product specifications may vary from those shown. This Planning Guide should not be used as installation guidance for any product. Further information is required to safely and correctly install the products featured here. Specific installation guidance will be available on our website [fisherpaykel.com](http://fisherpaykel.com)



## OVERVIEW

With 13 beverage options, our Coffee Maker is designed to consistently make your coffee just the way you like it.

## PRODUCTS

### EB24DSXBB1

Built-in Coffee Maker, 24", Touchscreen, Black

### TK30NDBB1

Companion Trim Kit, 30", Black

Note: Trim Kit purchased separately



## SERIES & STYLE

Series 9  
Minimal

## FEATURES

- ① Choice of stainless steel or elegant black trim
- ② Install in multiple configurations to suit your kitchen design
- ③ Optional 30" trim kit allows seamless vertical configuration when paired with a Fisher & Paykel 30" Oven
- ④ Intuitive touch display
- ⑤ 13 different choices from Espresso to Latte
- ⑥ Program your favorite setting
- ⑦ 5 bar pump pressure
- ⑧ Stainless steel conical burr grinder with 13 grinding coarseness positions
- ⑨ Self-cleaning function and easy to empty coffee grounds container and drip tray
- ⑩ 84.5 fl oz water tank capacity

## ACCESSORIES

- ① Optional 30" trim kit
- ② Thermal milk jug\*
- ③ Extractable steam outlet\*
- ④ Coffee spoon\*
- ⑤ Descaling agent and water filter\*

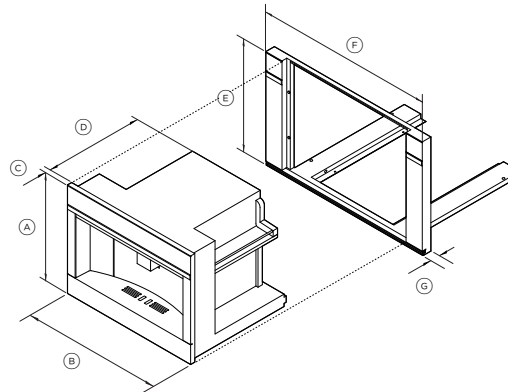
\*Included with product

The models shown in this Planning Guide may not be available in all markets and are subject to change at any time. Product specifications may vary from those shown. This Planning Guide should not be used as installation guidance for any product. Further information is required to safely and correctly install the products featured here. Specific installation guidance will be available on our website [fisherpaykel.com](https://fisherpaykel.com)

**SPECIFICATIONS**

<b>Model No.</b>	EB24DSXBB1, Coffee Maker TK30NDBB1, Trim Kit
<b>Dimensions</b>	<b>H</b> 18 13/16" <b>W</b> 29 13/16" <b>D</b> 18 7/8"
<b>Weight - Packaged</b>	
EB24DSXBB1	72lb (33kg)
<b>Electrical</b>	
Supply	120 V, 60 Hz
Service	10 A

**PRODUCT DIMENSIONS**

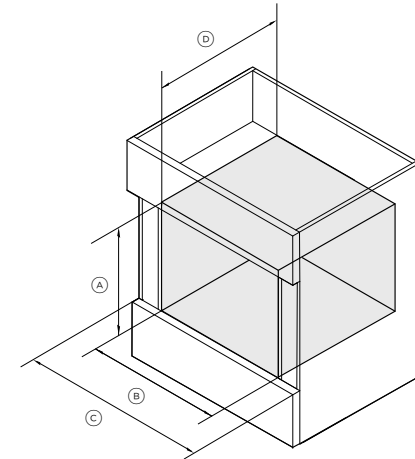


ISO VIEW

	inch	mm
(A) Overall height of coffee maker	18 1/16	458
(B) Overall width of coffee maker	23 1/2	596
(C) Thickness of coffee maker front and control panel	13/16	20
(D) Depth of coffee maker chassis	18 1/8	460
(E) Overall height of coffee maker with trim kit	18 13/16	478
(F) Overall width of coffee maker with trim kit	29 13/16	757
(G) Thickness of trim front	1 9/16	40

Note: If installing with other minimal products with trim kit, consider trim front thickness.

**CAVITY DIMENSIONS: STANDARD INSTALLATION**



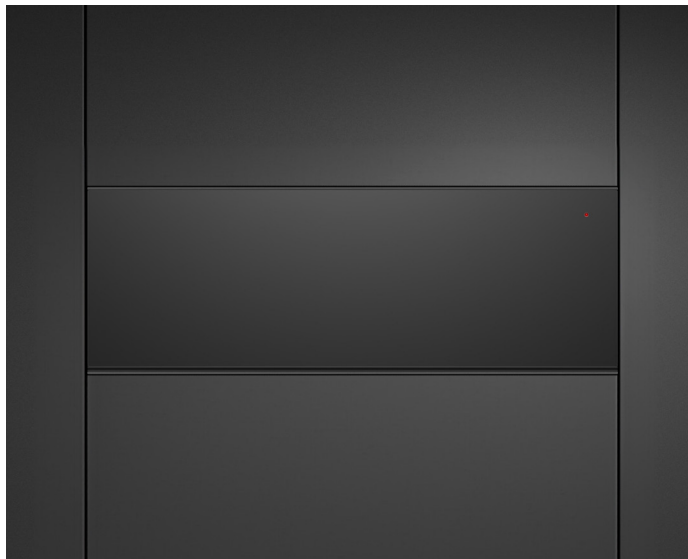
ISO VIEW

	inch	mm
(A) Minimum inside height of cavity with trim	18 1/2	470
(B) Minimum inside width of cavity*	22 1/16	560
(C) Width needed to include trim within cabinetry	29 15/16	761
(D) Minimum inside depth of cavity for flush installation	22 7/16	570

\*Cabinetry requires additional vertical sidewalls to secure the product.  
Note: Ventilation required at the rear of the cavity.



Warming Drawer paired with Built-in Oven OB30SDPTDB1



Warming Drawer, WB30SDB1-SET

## OVERVIEW

Designed to complement our Minimal and Contemporary ovens, these warming drawers are handle-free, and push-to-open for a coherent, considered look. Beautiful to use, with capacitive touch controls and six tailored functions for warming, proofing, dehydrating and slow cook. Pair with other companion products to create a kitchen suite for every need.

## PRODUCTS

### WB30SDB1-SET

Warming Drawer, 30", Black Glass

## SERIES & STYLE

Series 9  
Minimal

## FEATURES

- ① Styled to perfectly match our Minimal and Contemporary kitchen appliances
- ② Seamless pairing with other companion products in either stylish black reflective glass or brushed stainless steel
- ③ Push-to-open drawer
- ④ Easy-to-use capacitive touch controls
- ⑤ Automatic timing and switch-off functionality
- ⑥ Easy-to-clean, smooth-glass base
- ⑦ Room for 16 standard-sized place settings
- ⑧ Versatile with six tailored programmes for warming, proofing, dehydrating and slow cook

## ACCESSORIES

- ① Accessory rack for optimizing space\*

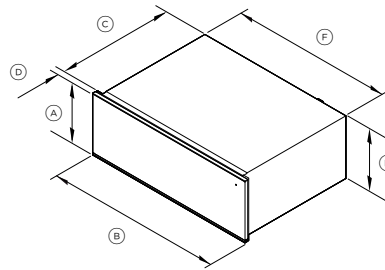
\*Included with product

The models shown in this Planning Guide may not be available in all markets and are subject to change at any time. Product specifications may vary from those shown. This Planning Guide should not be used as installation guidance for any product. Further information is required to safely and correctly install the products featured here. Specific installation guidance will be available on our website [fisherpaykel.com](https://fisherpaykel.com)

**SPECIFICATIONS**

<b>Model No.</b>	WB30SDB1-SET
<b>Dimensions</b>	<b>H</b> 10 11/16" <b>W</b> 29 15/16" <b>D</b> 22 5/16"
<b>Weight</b>	
Packaged	94lb (42kg)
<b>Electrical</b>	
Supply	110 V, 60 Hz
Service	10 A
Connection	Flex cord
Power cord length	70 7/8" (1800mm)

**PRODUCT DIMENSIONS**



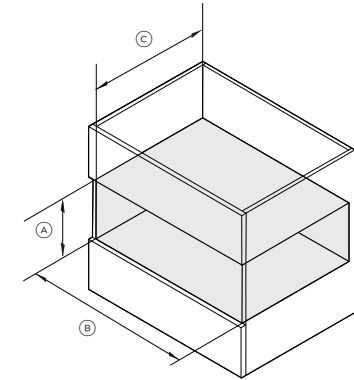
ISO VIEW

	inch	mm
Ⓐ Overall height	10 11/16	271
Ⓑ Overall width	29 15/16	760
Ⓒ Depth of chassis*	21 9/16	547
Ⓓ Thickness of front panel	13/16	20
Ⓔ Height of chassis	10 11/16	271
Ⓕ Width of chassis	27 3/4	704

\* Including power plug

NOTE: The drawer can fully support 30inch Fisher & Paykel wall oven, without adding shelf in between.

**CAVITY DIMENSIONS: STANDARD INSTALLATION**



ISO VIEW

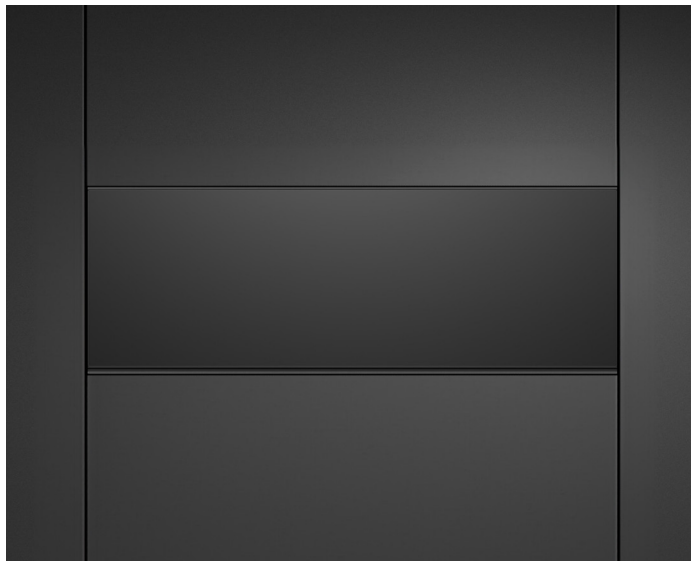
	inch	mm
Ⓐ Minimum inside height of cavity	10 3/4	273
Ⓑ Minimum inside width of cavity	28 1/2	724
Ⓒ Minimum inside depth of cavity for flush installation	22 13/16	580

The models shown in this Planning Guide may not be available in all markets and are subject to change at any time. Product specifications may vary from those shown. This Planning Guide should not be used as installation guidance for any product. Further information is required to safely and correctly install the products featured here. Specific installation guidance will be available on our website [fisherpaykel.com](http://fisherpaykel.com)





Vacuum Seal Drawer paired with Built-in Oven OB30SDPTDB1



Vacuum Seal Drawer, VB30SDB1-SET

**OVERVIEW**

Designed to complement our Combination Steam Ovens, these vacuum seal drawers are handle-free, and push-to-open for a coherent, considered look. Beautiful to use, with capacitive touch controls and three levels of vacuuming and sealing to deliver perfect results. Pair with other companion products to create a kitchen suite for every need.

**PRODUCTS**

**VB30SDB1-SET**  
Vacuum Seal Drawer, 30", Black Glass

**SERIES & STYLE**

Series 9  
Minimal

**FEATURES**

- ① Styled to perfectly match our Minimal and Contemporary kitchen appliances
- ② Push-to-open drawer
- ③ Three levels of vacuum and heat sealing
- ④ Easy-to-use capacitive touch controls
- ⑤ Easy-to-clean stainless steel interior
- ⑥ Vacuum sealing for easy food portioning, marinating, storage and extended food life
- ⑦ Sealing to capture and intensify flavors and retain nutrients
- ⑧ Effortless preparation for sous vide cooking
- ⑨ External vacuuming to remove air from glass jars and bottles
- ⑩ Additional storage drawer

**ACCESSORIES**

- ① Accessory rack for optimizing space\*

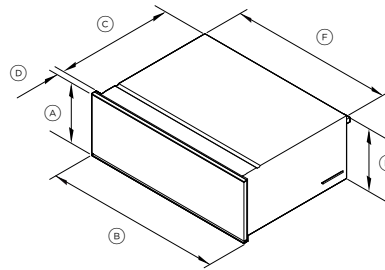
\*Included with product

The models shown in this Planning Guide may not be available in all markets and are subject to change at any time. Product specifications may vary from those shown. This Planning Guide should not be used as installation guidance for any product. Further information is required to safely and correctly install the products featured here. Specific installation guidance will be available on our website [fisherpaykel.com](http://fisherpaykel.com)

**SPECIFICATIONS**

<b>Model No.</b>	VB30SDB1-SET
<b>Dimensions</b>	<b>H</b> 10 11/16" <b>W</b> 29 15/16" <b>D</b> 22 1/2"
<b>Weight</b>	
Packaged	132lb (60kg)
<b>Electrical</b>	
Supply	110 V, 60 Hz
Service	10 A
Connection	Flex cord
Power cord length	70 7/8" (1800mm)

**PRODUCT DIMENSIONS**



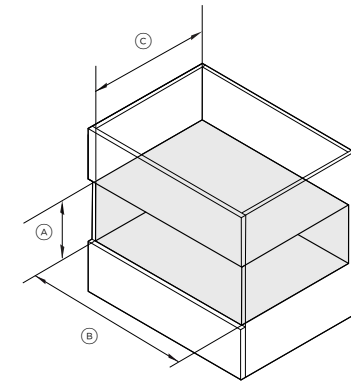
ISO VIEW

	inch	mm
Ⓐ Overall height	10 11/16	271
Ⓑ Overall width	29 15/16	760
Ⓒ Depth of chassis*	21 11/16	551
Ⓓ Thickness of front panel	13/16	20
Ⓔ Height of chassis	10 11/16	271
Ⓕ Width of chassis**	28 7/16	722

\* Including power plug  
 \*\*Including side brackets

NOTE: The drawer can fully support 30inch Fisher & Paykel wall oven, without adding shelf in between.

**CAVITY DIMENSIONS: STANDARD INSTALLATION**



ISO VIEW

	inch	mm
Ⓐ Minimum inside height of cavity	10 3/4	273
Ⓑ Minimum inside width of cavity	28 1/2	724
Ⓒ Minimum inside depth of cavity for flush installation	22 13/16	580

The models shown in this Planning Guide may not be available in all markets and are subject to change at any time. Product specifications may vary from those shown. This Planning Guide should not be used as installation guidance for any product. Further information is required to safely and correctly install the products featured here. Specific installation guidance will be available on our website [fisherpaykel.com](http://fisherpaykel.com)

