

Integrated Dishwasher, Tall, Sanitize

Series 9 | Integrated

Panel Ready



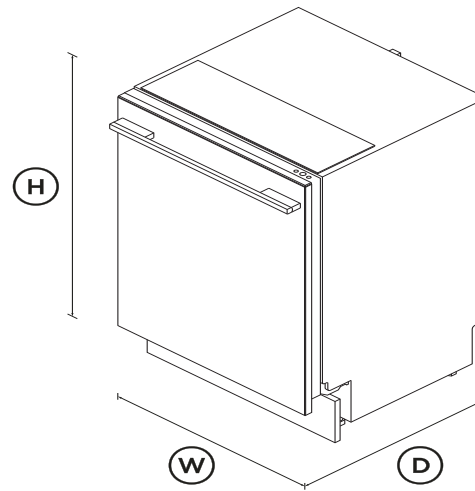
Designed to integrate seamlessly into surrounding cabinetry, this dishwasher delivers superior wash performance and advanced drying.

- Customize with your own front panel and handle to match your kitchen cabinetry
- Eight wash programs from Heavy to Light, including Auto, 60min and Glassware
- Dry+, Sanitize, Half Load and Intensive modifiers provide extra wash options

- Wi-Fi enabled and works with the SmartHQ™ app for remote control and notifications

DIMENSIONS

| | |
|--------|------------------|
| Height | 33 3/4 - 36 1/8" |
| Width | 23 1/2" |
| Depth | 22 13/16" |



FEATURES & BENEFITS

Seamless Integration

Customize your dishwasher with a panel and handle matching your cabinetry, for a seamless finish in your kitchen.

Advanced Drying

For beautifully dry dishes every time, this dishwasher features an advanced drying system. It combines fan-assisted drying with an

automatic door opening at the cycle's end. The Auto Door Open Dry feature releases excess steam, ensuring dishes are immediately ready for use or storage. An innovative air curtain channels the steam away from the adjacent benchtop, protecting your cabinetry.

An Exceptional Clean

This dishwasher offers eight wash programs including Glassware and Auto, which automatically senses the optimal wash settings for your dishes. The three-stage filtration system delivers a superior clean, while the rinse aid indicator reminds you to top up for beautifully clean dishes.

Customize Your Wash

Create the perfect wash with our range of modifiers, from Intensive for a thorough clean to Half Load, ideal for a partial load. The Sanitize modifier provides extra protection, killing 99.9% of bacteria* in the final rinse, while Dry+ is great for plastic dishes. *Certified to NSF/ANSI Standard 184

Quiet performer

Running at a very low decibel rating, this dishwasher does its job without making a fuss. The combination of clever technology and simple mechanics means greater reliability and superior wash performance, with minimal noise.

Efficient Performance

With an Energy Star Most Efficient rating, this dishwasher is recognised as among the most energy efficient models on the market. Use the Eco wash program for optimal water and energy consumption, or choose when the cycle begins with Delay Start.

Flexible Loading

Designed to fit 15 place settings, this spacious model lets you stack large items with ease. Adjustable rack options provide flexibility for any load, with a full-width cutlery tray, height-adjustable middle rack, cup holders and wine glass supports.

SPECIFICATIONS

Accessories

- Cutlery basket •
- Kickstrip •

Accessories (sold separately)

| | |
|-------------------------------|-----------------------|
| Door panel stainless steel | ADDW24TPX |
| Handle kit Classic | AHCL-DDDW-24X |
| Handle kit Contemporary | AHS-OBDD-60S |
| Handle kit Contemporary | AHD5-OBDD-60SX |
| Handle kit Contemporary | AHD5-OBDD-60SB |
| Handle kit Contemporary | AHD3-OBDD-60S |
| Handle kit Professional round | AHP3-DWDD-SX |
| Handle kit Professional round | AHP3DDDW24BA |
| Handle kit Professional round | AHP3DDDW24DC |

Capacity and loading

| | |
|---------------------------------|-----------------|
| Accommodates round plates | 12 9/16" |
| Accommodates round plates | 9 13/16" |
| Adjustable height, foldable | • |
| Fold down tines | • |
| Full width cutlery/utensil tray | • |
| Large crockery insert in lower | • |
| Place settings | 15 |
| Telescopic slides | • |
| Wine glass supports with | • |

Consumption

| | |
|------------------------------|-----------------------------------|
| Energy rating | Energy star Most efficient |
| Energy usage | 210kWh/year |
| In-use energy carbon | 25.9kgCO2e/year |
| Water usage (per wash cycle) | 3.2 gal |

Controls

- Energy saving delay start •
- Floor light cycle feedback •
- Internal light •
- Internal wash selector •
- Intuitive capacitive touch •
- Keylock •
- Rinse aid indicator light •
- Wi-Fi connectivity •

Features

- Air curtain for bench •
- Auto Door Open Dry •
- Fan assisted drying •
- Flood protection •
- Fully independent spray arms •
- Half load option •
- Internal tub material **Stainless Steel**
- Motor type **BLDC**
- Three-stage filtration system •
- Variable wash pressure •

Performance

Noise emissions **42dBA**

Power requirements

Amperage **10A**
 Supply frequency **60Hz**
 Supply voltage **100 - 120V**

Product dimensions

| | |
|--------|-------------------------|
| Depth | 22 13/16" |
| Height | 33 3/4 - 36 1/8" |
| Width | 23 1/2" |

Warranty

Parts and labour **2 years**

Wash Program Modifiers

- Dry + •
- Half-load •
- Intensive •
- Sanitize •
- Wash modifiers **4**

Wash Programs

- 60 min •
- Auto •
- Eco •
- Glassware •
- Heavy •
- Light •
- Medium •
- Rinse •
- Wash programs **8**

Water connection

Water pressure **30kPa - 1000 kPa**

SKU

82445

The product dimensions and specifications in this page apply to the specific product and model. Under our policy of continuous improvement, these dimensions and specifications may change at any time. You should therefore check with Fisher & Paykel's Customer Care Centre to ensure this page correctly describes the model currently available. Fisher & Paykel Appliances Ltd 2020

Where applicable:

All appliances use energy, and energy usage typically generates carbon emissions. **Fisher & Paykel Appliances' In-use Energy Carbon Emissions Estimate** indicates carbon emissions from a product's in-use energy. This is calculated either annually or per cycle, using the product's market-specific energy label energy consumption data multiplied by the carbon emissions factor for energy in your country or region.

Our In-use Energy Carbon Emissions Estimate is designed to assist customers in making informed purchasing decisions when comparing different Fisher & Paykel products. For example, a heat pump dryer typically has a lower In-use Energy Carbon Emissions Estimate than a vented dryer.

Other product downloads available at fisherpaykel.com[Service & Warranty](#)[Guide d'utilisation FR](#)[User Guide Dishwasher](#)[Energy Label Dishwasher](#)[Installation Guide Built Under Dishwasher EN](#)[Guide d'installation FR](#)[Preliminary Specification Guide Dishwasher](#)[Data Sheet Integrated Dishwasher](#)[Planning Guide Professional Style Dial/Handle Accessories](#)**A PEACE OF MIND SALE**

24 Hours 7 Days a Week Customer Support

T 1.888.936.7872 **W**www.fisherpaykel.com