

Dual Fuel Range, 48", 8 Burners, Self-cleaning

Series 9 | Professional

Stainless Steel | Natural gas

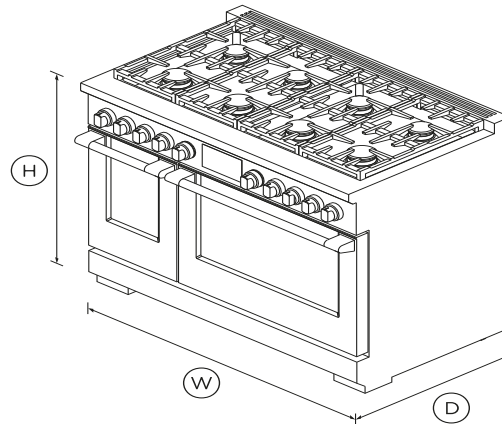


With intuitive touchscreen and specialized cooking functions across two ovens, this range is a stand-out addition to your kitchen.

- Guided cooking using your touchscreen makes it simple to cook by food, function or recipe.
- Top burner heat of 23,500 BTU, for seriously fast boiling
- 6.9 cu ft total oven capacity across two oven cavities
- Beautiful LED halo-illuminated dials provide information at a glance

DIMENSIONS

Height	35 3/4 - 36 3/4"
Width	47 7/8"
Depth	29 1/8"



FEATURES & BENEFITS

Cook with confidence

Our touchscreen interface provides an intuitive guided cooking experience that helps deliver perfect results, whether you've been cooking all your life or just starting out. Cook with a favorite method, a hero ingredient, or a go-to cooking function or recipe. The screen tilts for improved ergonomics and optimal visibility while cooking.

Generous capacity

Two independently operating cavities provide a large total

capacity of 4.8 cu. ft. in the main cavity and 2.1 cu. ft. in the secondary. That's enough room for a 32 lb turkey in one oven, and your sides in the other.

Cooking Flexibility

No matter what you're cooking, you've got the right heat to get perfect results. Each of the 15 oven functions in the main cavity and 11 in the secondary have been extensively researched and carefully designed to cater to a broad range of dishes and cooking styles. The handy food probe helps you monitor your progress.

Cooktop Power

Sealed dual flow burners deliver cooktop power up to 23,500 BTU for seriously fast boiling, and precise 140°F full surface, low temperature cooking with the gentlest of flames.

Design Quality

This range has craftsmanship in every detail, with real stainless steel, cast-iron grates, and beautifully weighted, halo illuminated dials. Each cavity features incandescent lights and full extension telescopic racks. From the robust legs to the powerful cooktop, this Range is built to last.

Easy To Clean

The oven features a self-cleaning function and self-clean proof side racks, which don't need to be removed when using this function.

SPECIFICATIONS

Accessories

- Adjustable feet covers •
- Branded coin end cap •

Accessories (sold separately)

- Square handle option **AH-R48**

Burner ratings

Maximum burner power	23500 BTU
Power back centre	18500BTU
Power back centre (2)	18500BTU
Power back left	18500BTU
Power back right	18500BTU
Power front centre	18500BTU
Power front centre (2)	18500BTU
Power front left	23500BTU
Power front right	23500BTU
Total cooktop power	158000 BTU

Capacity

Shelf positions (main oven)	5
Shelf positions (second oven)	5
Total capacity (main oven)	4.8cu ft
Total capacity second oven	2.1cu ft
Usable capacity (main oven)	3.8cu ft

Cleaning

Easy clean porcelain basepan	•
Pyrolytic self-clean	•

Consumption

Energy usage	470kWh/year
--------------	--------------------

Controls

Dial with illuminated halo	•
Dual control oven dials	•
Electric circuit	4 wire

High resolution display	•
Metal illuminated dials	•
Multi-language interface	•
Precise cooking with food	•
Recipe and food based	•
Sabbath mode	•
Tilting touch screen interface	•
Wi-Fi connectivity	•

Gas Requirements

Fitting and pipe	½ NPT, min. ¾" flex line
Supply Pressure (natural gas)	6" to 9" W.C

Oven features

Auto re-ignition system	•
Concealed element	•
Electronic oven control	•
Full extension telescopic	•
Internal light	•
Self-clean proof side racks	•
Titanium coated, illuminated	•

Oven functions

Air fry	•
Bake	•
Classic bake	•
Clean	•
Convection Broil	•
Convection bake	•
Dehydrate	•

Maxi Broil	•
Number of functions	15
Pastry bake	•
Pizza bake	•
Rapid proof	•
Roast	•
Slow cook	•
True convection	•
Warm	•

Oven performance

Bake power	4600
Broil	3600W
Main oven - True convection	2500W

Power requirements

Amperage	50A
Rated current	50A
Supply frequency	60Hz

Product dimensions

Depth	29 1/8"
Height	35 3/4 - 36 3/4"
Width	47 7/8"

Rangetop features

Sealed range top	•
Vent trim included	•

Recommended Back Guards Ventilation

Combustible situation	BGRV3-3048H
Non combustible situation	BGRV2-3048 / BGRV2-1248
Recommended hood	HCB48-12_N (48"")

Safety

ADA compliant	•
---------------	---

Secondary oven features

3/4 Extension racks	2
Concealed element	•
Electronic oven control	•
Food probe	•
Internal light	•

Secondary oven functions

Air fry	•
Bake	•
Classic bake	•
Convection bake	•
Convection broil	•
Maxi broil	•
Number of secondary oven	11
Pastry bake	•
Pizza bake	•
Rapid proof	•
Roast	•
Warm	•

The product dimensions and specifications in this page apply to the specific product and model. Under our policy of continuous improvement, these dimensions and specifications may change at any time. You should therefore check with Fisher & Paykel's Customer Care Centre to ensure this page correctly describes the model currently available. Fisher & Paykel Appliances Ltd 2020

Where applicable:

All appliances use energy, and energy usage typically generates carbon emissions. **Fisher & Paykel Appliances' In-use Energy Carbon Emissions Estimate** indicates carbon emissions from a product's in-use energy. This is calculated either annually or per cycle, using the product's market-specific energy label energy consumption data multiplied by the carbon emissions factor for energy in your country or region.

Our In-use Energy Carbon Emissions Estimate is designed to assist customers in making informed purchasing decisions when comparing different Fisher & Paykel products. For example, a heat pump dryer typically has a lower In-use Energy Carbon Emissions Estimate than a vented dryer.

Other product downloads available at fisherpaykel.com

- [↓](#) Guide d'utilisation FR
- [↓](#) User Guide EN
- [↓](#) Service & Warranty
- [↓](#) Energy Label
- [↓](#) Installation Guide EN
- [↓](#) Guide d'installation FR
- [↓](#) Specification Guide
- [↓](#) Data Sheet Dual Fuel Cooker with Backguard BGRV2-1248
- [↓](#) Data Sheet Dual Fuel Cooker with Backguard BGRV2-3048H and Angled Trim
- [↓](#) Data Sheet Dual Fuel Cooker with Backguard BGRV2-3048
- [↓](#) Data Sheet Dual Fuel Range
- [↓](#) Planning Guide
- [↓](#) Planning Guide Professional Style Dial/Handle Accessories



A PEACE OF MIND SALE

24 Hours 7 Days a Week Customer Support

T 1.888.936.7872 Wwww.fisherpaykel.com

SKU 81896