

# FISHER & PAYKEL

## DATA SHEET Convection Speed Oven, 24"

Model no:  
**OM24NMLB1, OM24NMTDB1**  
(refer page 2 for metric measurements)

Product Dimensions	in
Ⓐ Overall height of oven	18"
Ⓑ Overall width of oven	23 7/16"
Ⓒ Overall depth of oven (excludes handle and front metal trim)	22 1/4"
Ⓓ Depth of oven frame, control panel and door (excludes handle and front metal trim)	13/16"
Ⓔ Depth of chassis (includes terminal block)	21 7/16"
Ⓕ Height of chassis	17 1/8"
Ⓖ Width of chassis	21 7/8"
Ⓗ Height from bottom datum to top of oven door	13 11/16"
Ⓘ Height of control panel	3 15/16"
Ⓚ Gap between door and control panel	7/16"
Ⓛ Height from bottom datum to centerline of handle	12 3/4"
Ⓜ Width of handle	22 1/4"
Ⓝ Depth of handle (measured from front of door)	1 5/8"
Ⓞ Thickness of handle	5/8"
Ⓟ Distance from bottom datum to bottom of door glass	1/2"
Ⓠ Depth of door when open (measured from front of door)	12 5/8"

Minimum Clearances	in
Minimum inside height of cavity	17 5/16"
Minimum inside width of cavity	22 1/16"
Minimum inside depth of cavity	21 5/8"
Overall height of cabinetry (cavity around front frame)	18 1/8"
Overall width of cabinetry (cavity around front frame)	23 5/8"
Rear ventilation air vent depth*	2"
Rear ventilation air vent width*	22 1/16"

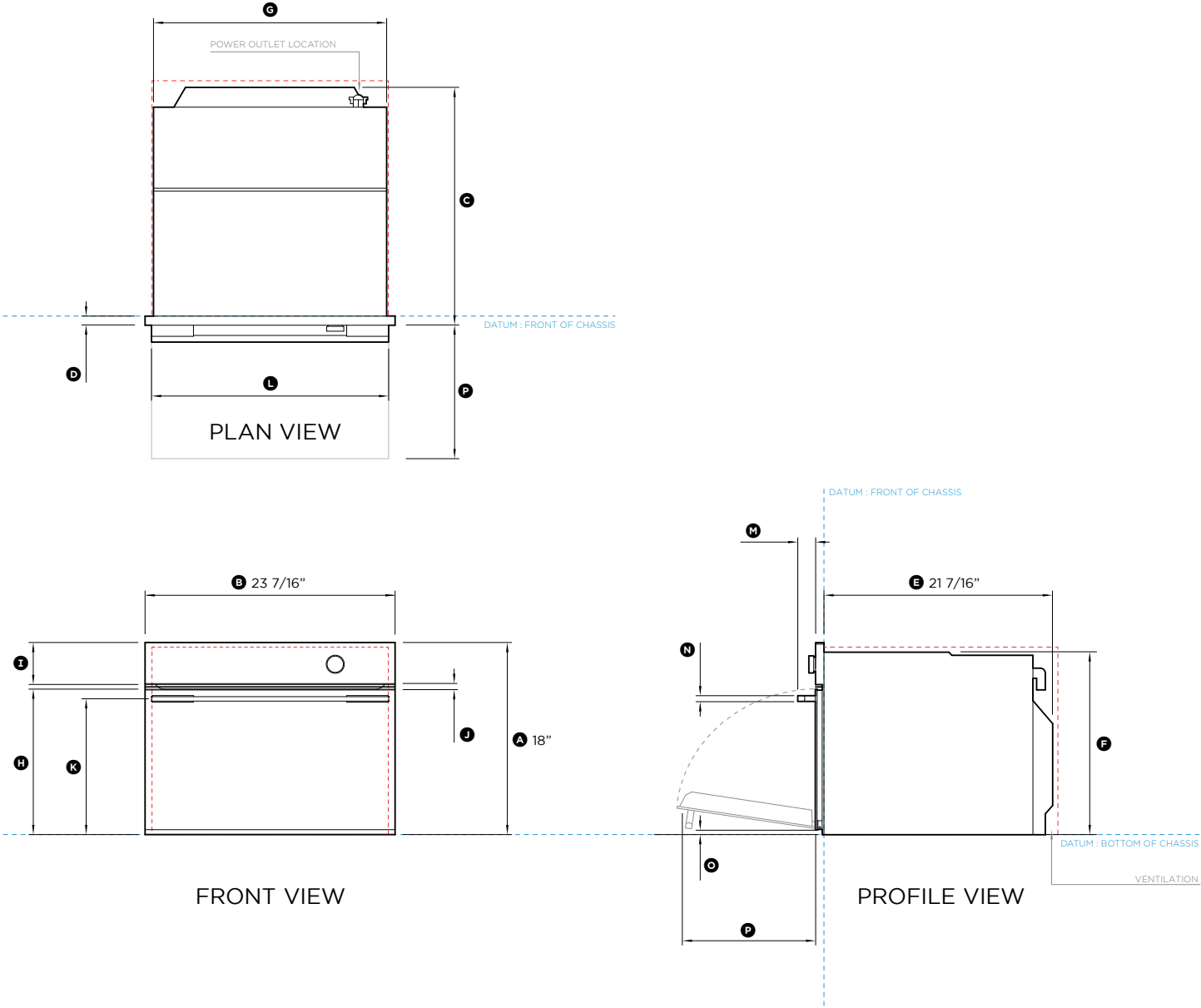
\* A rear ventilation air vent totalling 44in2 (280cm2) is required. The air vent must be located at the rear of the cabinet, it can be positioned at the base, sides, back or top of the cavity.

IMPORTANT NOTE: For full installation and clearance details please refer to the installation guide.

INDICATES PRODUCT DATUM -----  
INDICATES CABINETRY CLEARANCES - - - - -

DATE: 02.09.2022

IMPORTANT NOTE: Throughout this guide, dimensions may vary by ±2mm (1/16"). Please read the installation manual for detailed information on installing the product. For full installation instructions & specifications visit [fisherpaykel.com](http://fisherpaykel.com)



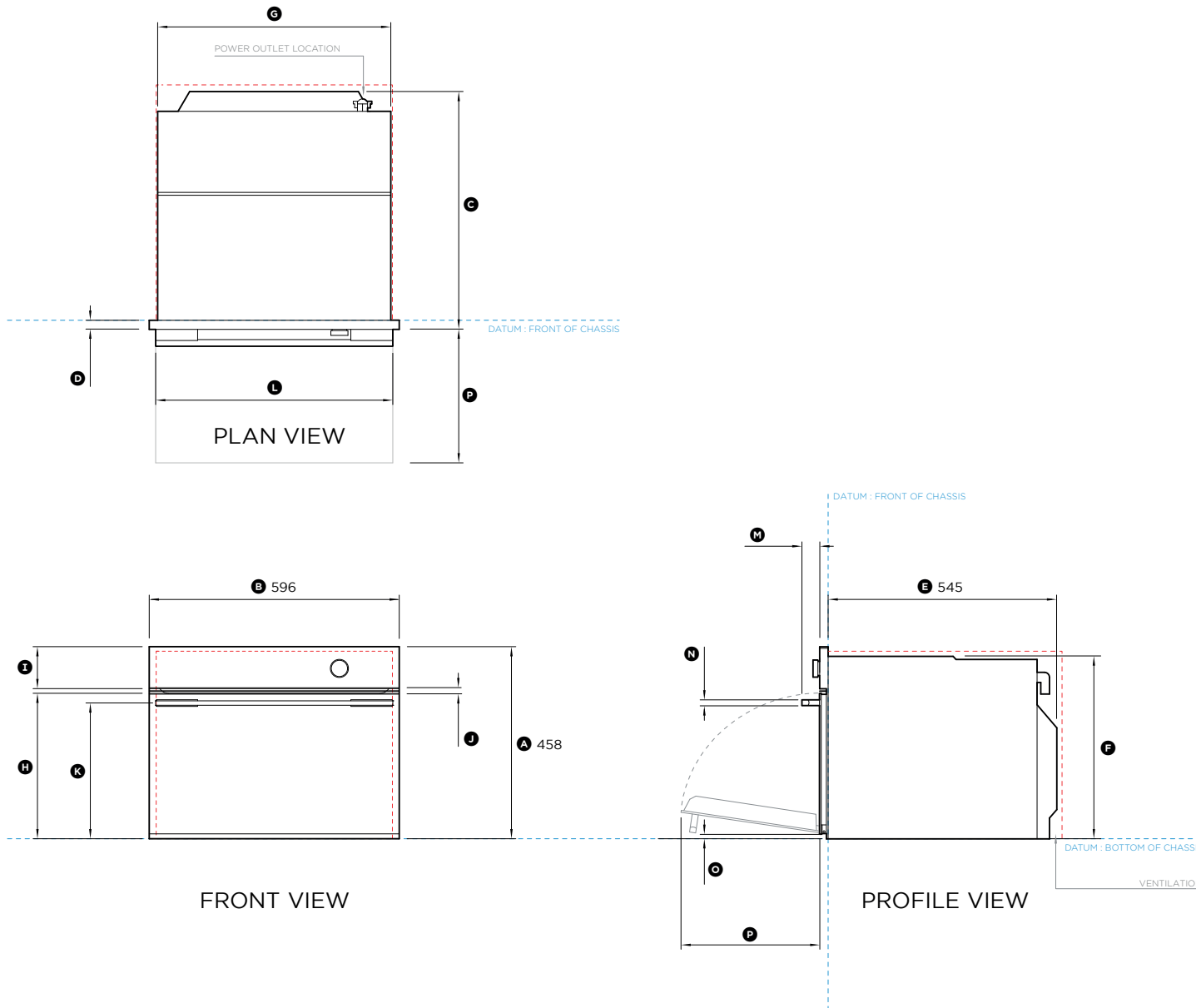
# FISHER & PAYKEL

## DATA SHEET Convection Speed Oven, 24"

Model no:

**OM24NMLB1, OM24NMTDB1**

(refer page 1 for imperial measurements)



Product Dimensions	mm
Ⓐ Overall height of oven	458
Ⓑ Overall width of oven	596
Ⓒ Overall depth of oven (excludes handle and front metal trim)	565
Ⓓ Depth of oven frame, control panel and door (excludes handle and front metal trim)	20
Ⓔ Depth of chassis (includes terminal block)	545
Ⓕ Height of chassis	435
Ⓖ Width of chassis	556
Ⓜ Height from bottom datum to top of oven door	347
Ⓜ Height of control panel	100
Ⓜ Gap between door and control panel	11
Ⓜ Height from bottom datum to centerline of handle	324
Ⓜ Width of handle	565
Ⓜ Depth of handle (measured from front of door)	42
Ⓜ Thickness of handle	16
Ⓜ Distance from bottom datum to bottom of door glass	12
Ⓜ Depth of door when open (measured from front of door)	320

Minimum Clearances	mm
Minimum inside height of cavity	440
Minimum inside width of cavity	560
Minimum inside depth of cavity	550
Overall height of cabinetry (cavity around front frame)	460
Overall width of cabinetry (cavity around front frame)	600
Rear ventilation air vent depth*	50
Rear ventilation air vent width*	560

\* A rear ventilation air vent totalling 44in2 (280cm2) is required. The air vent must be located at the rear of the cabinet, it can be positioned at the base, sides, back or top of the cavity.

IMPORTANT NOTE: For full installation and clearance details please refer to the installation guide.

INDICATES PRODUCT DATUM -----  
INDICATES CABINETRY CLEARANCES -----

DATE: 02.09.2022

IMPORTANT NOTE: Throughout this guide, dimensions may vary by  $\pm 2\text{mm}$  (1/16"). Please read the installation manual for detailed information on installing the product. For full installation instructions & specifications visit [fisherpaykel.com](http://fisherpaykel.com)

