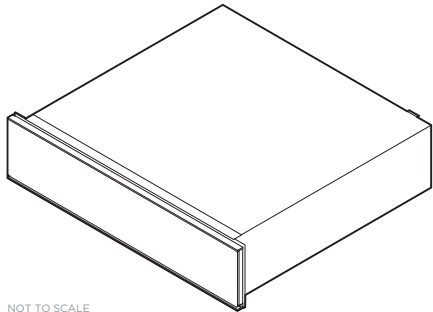


FISHER & PAYKEL

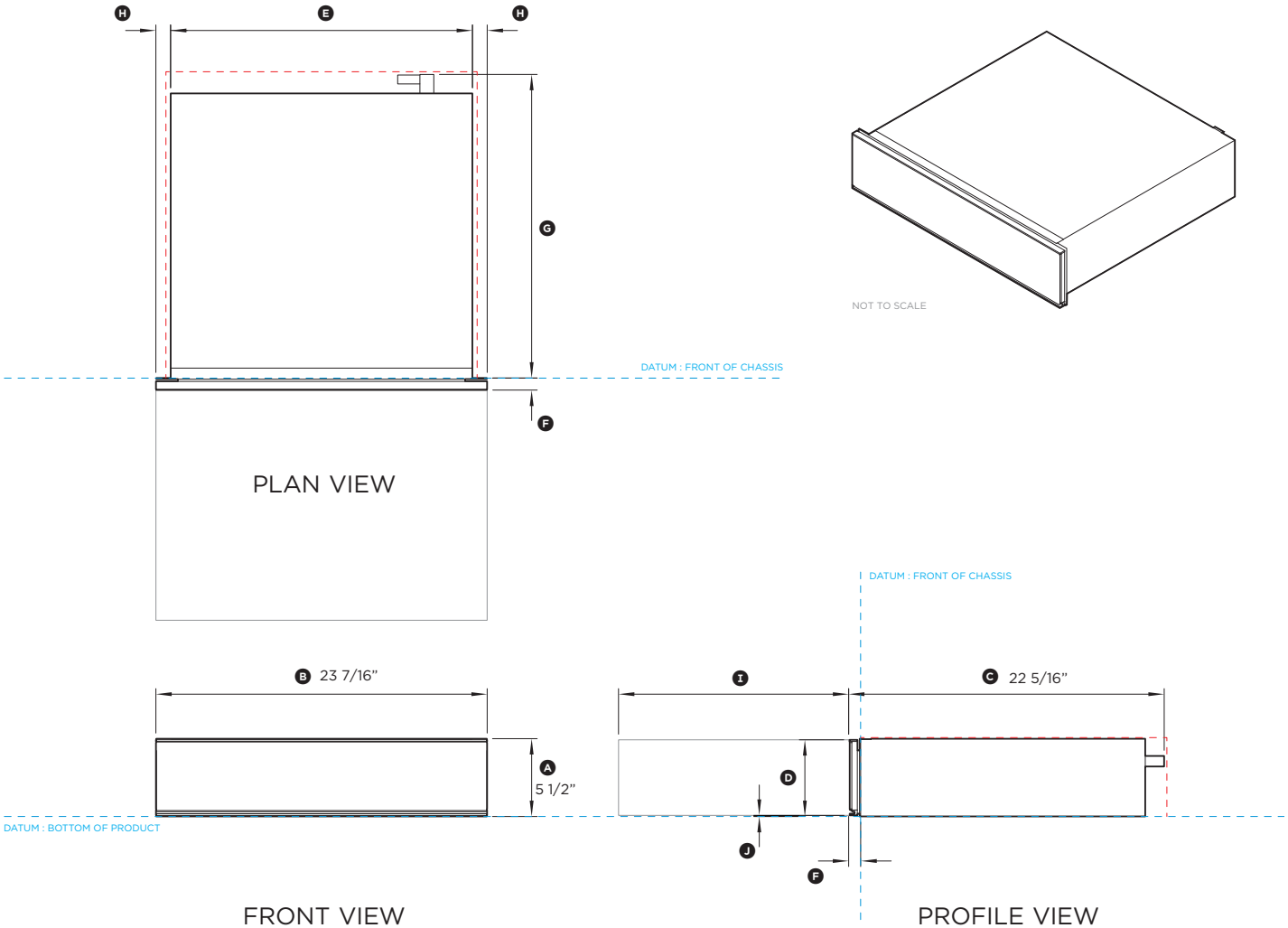
DATA SHEET Warming Drawer, 24"

Model no:
Minimal Black - WB24SMB1-SET

(refer page 2 for metric measurements)



NOT TO SCALE

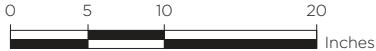


Product Dimensions	inch
Ⓐ Overall height	5 1/2
Ⓑ Overall width	23 7/16
Ⓒ Overall depth (incl. front panel & power plug, excludes stainless cap)	22 5/16
Ⓓ Height of drawer front panel	5 3/8
Ⓔ Width of chassis	21 3/8
Ⓕ Depth of drawer front panel and flange (excludes stainless cap)	13/16
Ⓖ Depth of chassis (includes power plug, excludes flange)	21 9/16
Ⓜ Distance from side of chassis to side of drawer front	1 13/32
Ⓣ Depth of open drawer (measured from front of drawer panel)	16 5/16
Ⓣ Height from bottom of chassis to bottom of front panel	1/16

Dimension Clearances for PROUD INSTALLATION	inch
Minimum inside height of cavity	5 9/16
Minimum inside width of cavity	22 1/6
Minimum inside depth of cavity	21 5/8
Overall width of cabinetry	23 5/8
Minimum clearance between top of front panel and upper cabinetry panel	1/16
Minimum clearance between bottom of front panel and lower cabinetry panel	1/16

IMPORTANT NOTE: For full installation and clearance details please refer to our installation manual.

INDICATES CABINETRY / PRODUCT DATUM -----
INDICATES CABINETRY CLEARANCES - - - - -



DATE: 02.11.2023 90003259A

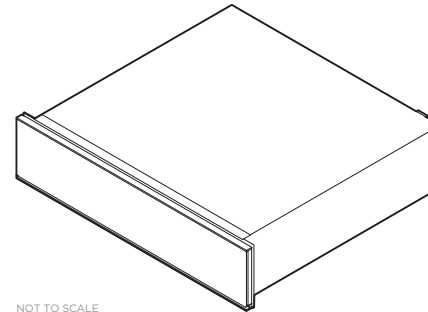
IMPORTANT NOTE: Throughout this guide, dimensions may vary by ±2mm (1/16"). Please read the installation manual for detailed information on installing the product. For full installation instructions & specifications visit fisherpaykel.com

FISHER & PAYKEL

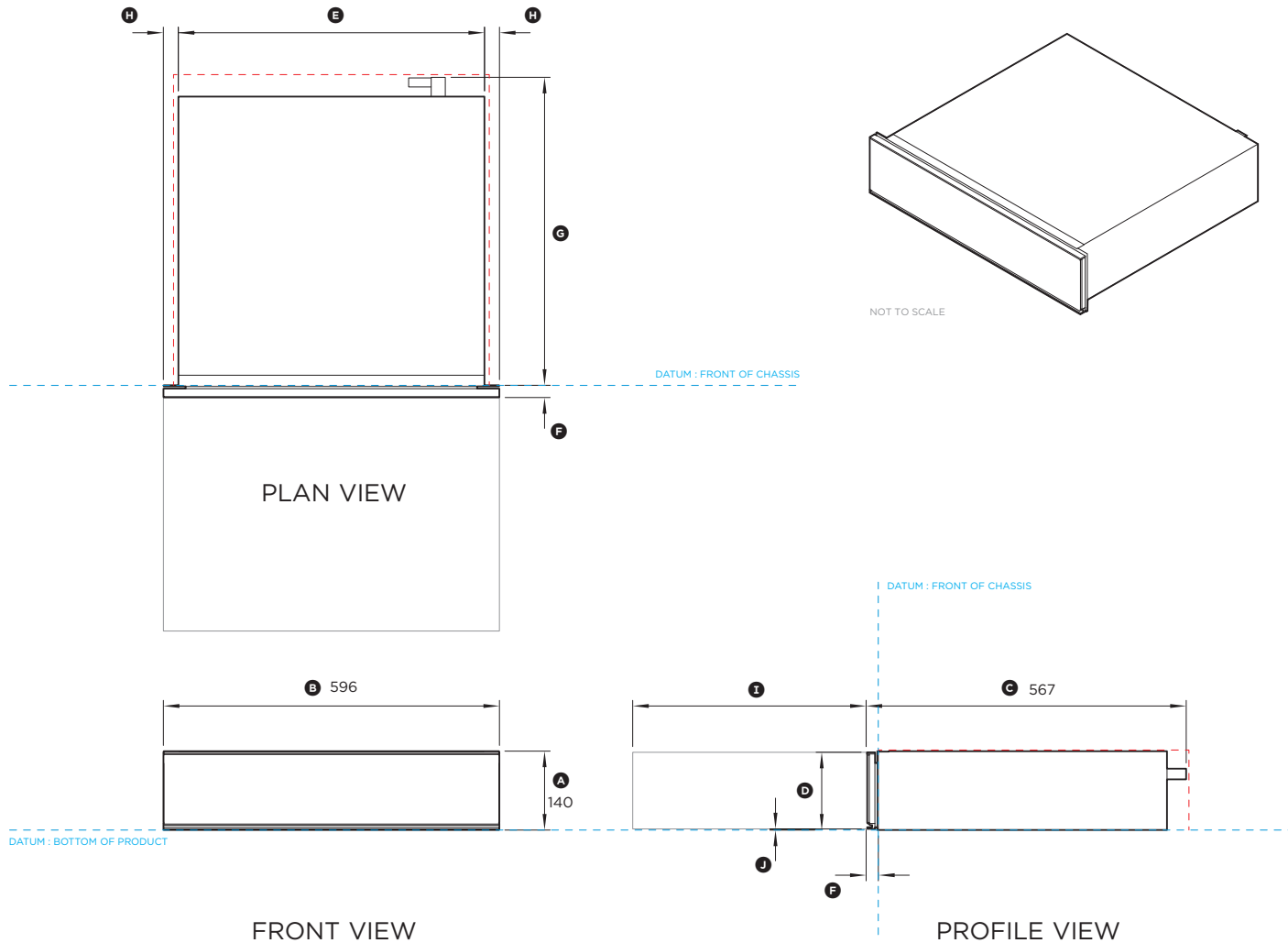
DATA SHEET Warming Drawer, 24"

Model no:
Minimal Black - WB24SMB1-SET

(refer page 1 for imperial measurements)



NOT TO SCALE



Product Dimensions	mm
Ⓐ Overall height	140
Ⓑ Overall width	596
Ⓒ Overall depth (incl. front panel & power plug, excludes stainless cap)	567
Ⓓ Height of drawer front panel	136
Ⓔ Width of chassis	543
Ⓕ Depth of drawer front panel and flange (excludes stainless cap)	20
Ⓖ Depth of chassis (includes power plug, excludes flange)	547
Ⓜ Distance from side of chassis to side of drawer front	36
Ⓣ Depth of open drawer (measured from front of drawer panel)	414
Ⓣ Height from bottom of chassis to bottom of front panel	2

Dimension Clearances for PROUD INSTALLATION	mm
Minimum inside height of cavity	142
Minimum inside width of cavity	560
Minimum inside depth of cavity	550
Overall width of cabinetry	600
Minimum clearance between top of front panel and upper cabinetry panel	2
Minimum clearance between bottom of front panel and lower cabinetry panel	2

IMPORTANT NOTE: For full installation and clearance details please refer to our installation manual.

INDICATES CABINETRY / PRODUCT DATUM -----
INDICATES CABINETRY CLEARANCES -----

DATE: 02.11.2023

90003259A

IMPORTANT NOTE: Throughout this guide, dimensions may vary by $\pm 2\text{mm}$ (1/16"). Please read the installation manual for detailed information on installing the product. For full installation instructions & specifications visit fisherpaykel.com

