

# Gas Range, 36", 5 Burners

Series 7 | Classic

White

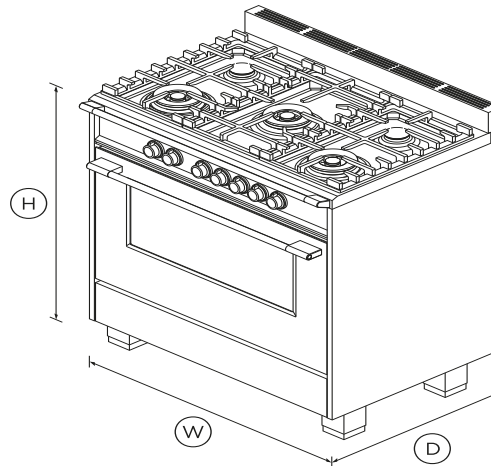


Make your range a focal point. With a large capacity oven and five burners, this is the perfect way to cook for a crowd.

- Five burner gas cooktop, including one dual ring and two triple ring wok burners
- Gas oven with 4.9 cu.ft total capacity and three functions including Bake and Broil

## DIMENSIONS

|        |                  |
|--------|------------------|
| Height | 35 3/4 - 37 1/4" |
| Width  | 35 7/8"          |
| Depth  | 25 1/4"          |



## FEATURES & BENEFITS

### Design Quality

This range has been carefully crafted in every detail from performance to durability using quality materials including the balanced soft-close door and rounded hob rail.

### Large capacity oven

The generous 4.9 cu.ft total capacity oven gives you plenty of space to cook multiple dishes at once, with enough room to fit a 32 lb turkey.

## Performance Power

Precise cooktop controls let you sear or stir fry over instant, powerful heat. Use the high burner power or simmer a delicate sauce using the gentlest of heats.

## Easy cleaning

With its durable surface, your cooktop simply needs a quick wipe after cooking to keep it looking good as new for years to come.

## SPECIFICATIONS

### Accessories

|                                  |                      |
|----------------------------------|----------------------|
| 2-pc grill system (Broil pan and | •                    |
| Broil pan                        | •                    |
| Broil rack                       | •                    |
| Chromed shelf runners            | 1 set                |
| Full extension telescopic        | 2 sets (part 578744) |
| Small pot support                | 1 (part 533981 cast) |

### Accessories (sold separately)

|                              |            |
|------------------------------|------------|
| Kick strip, black (optional) | KICKOR36B1 |
| Kick strip, red (optional)   | KICKOR36R1 |
| Kick strip, stainless steel  | KICKOR36X1 |
| Kick strip, white (optional) | KICKOR36W1 |

### Burner ratings

|                             |                |
|-----------------------------|----------------|
| Dual wok burner inner/outer | 1000 - 1800BTU |
| Dual wok burner inner/outer | 1000 - 1800BTU |
| Maximum burner power        | 18000 BTU      |
| Semi-rapid burner (LPG)     | 7600BTU        |
| Semi-rapid burner (natural) | 8000BTU        |
| Total cooktop power         | 62000 BTU      |

|                                  |                        |
|----------------------------------|------------------------|
| Triple ring wok burner (LPG)     | <b>6100 - 12000BTU</b> |
| Triple ring wok burner (natural) | <b>6100 - 14000BTU</b> |

**Capacity**

|                 |          |
|-----------------|----------|
| Shelf positions | <b>7</b> |
|-----------------|----------|

**Cleaning**

- Acid resistant graphite enamel
- Removable oven door
- Removable shelf runners

**Controls**

- Laser etched graphics

**Gas Requirements**

|                               |                  |
|-------------------------------|------------------|
| Supply Pressure (LPG)         | <b>11" W.C.P</b> |
| Supply Pressure (natural gas) | <b>4" W.C.P</b>  |

**Oven features**

- Auto re-ignition system
- Concealed element
- Convection
- Electronic ignition
- Full extension telescopic
- Internal light **4 x 25W halogen (2 side & 2**
- Soft open/close door
- Storage drawer

**Oven functions**

- Bake

|                     |          |
|---------------------|----------|
| Broil               | <b>•</b> |
| Convection bake     | <b>•</b> |
| Number of functions | <b>3</b> |

**Oven performance**

|                |                         |
|----------------|-------------------------|
| Bake power     | <b>17000 BTU</b>        |
| Broil          | <b>13000 BTU</b>        |
| CoolTouch door | <b>Quadruple glazed</b> |

**Power requirements**

|                  |             |
|------------------|-------------|
| Amperage         | <b>15A</b>  |
| Supply frequency | <b>60Hz</b> |

**Product dimensions**

|        |                         |
|--------|-------------------------|
| Depth  | <b>25 1/4"</b>          |
| Height | <b>35 3/4 - 37 1/4"</b> |
| Width  | <b>35 7/8"</b>          |

**Rangetop features**

- Hob rail
- LPG/Natural gas compatible
- Sealed range top

**Rangetop Performance**

|                   |          |
|-------------------|----------|
| Number of burners | <b>5</b> |
|-------------------|----------|

**Safety**

- ADA compliant
- Advanced cooling system

- Anti-tilt bracket
- Balanced oven door
- Full extension telescopic **2 sets (part 578744)**
- Full extension telescopic
- Non-tip shelves
- Spill containment **5/8 gallon**

|     |              |
|-----|--------------|
| SKU | <b>81703</b> |
|-----|--------------|

The product dimensions and specifications in this page apply to the specific product and model. Under our policy of continuous improvement, these dimensions and specifications may change at any time. You should therefore check with Fisher & Paykel's Customer Care Centre to ensure this page correctly describes the model currently available. Fisher & Paykel Appliances Ltd 2020

**Where applicable:**

All appliances use energy, and energy usage typically generates carbon emissions. **Fisher & Paykel Appliances' In-use Energy Carbon Emissions Estimate** indicates carbon emissions from a product's in-use energy. This is calculated either annually or per cycle, using the product's market-specific energy label energy consumption data multiplied by the carbon emissions factor for energy in your country or region.

Our In-use Energy Carbon Emissions Estimate is designed to assist customers in making informed purchasing decisions when comparing different Fisher & Paykel products. For example, a heat pump dryer typically has a lower In-use Energy Carbon Emissions Estimate than a vented dryer.

---

Other product downloads available at [fisherpaykel.com](https://fisherpaykel.com)

- [↓](#) Service & Warranty
- [↓](#) User Guide Freestanding Range EN
- [↓](#) Guide d'utilisation FR
- [↓](#) Energy Label Dual Fuel / Induction Range
- [↓](#) Guide d'installation FR
- [↓](#) Installation Guide EN



**A PEACE OF MIND SALE**

24 Hours 7 Days a Week Customer Support

T 1.888.936.7872 **W** [www.fisherpaykel.com](https://www.fisherpaykel.com)