

FISHER & PAYKEL

DATA SHEET 36" Professional Downdraft Vent System

Model no:

HD36

(refer page 2 for metric measurements)

Dimensions

	in
Ⓐ Overall height of Downdraft (excluding mounting brackets)	29 1/2" - 43"
Ⓑ Overall width of Downdraft	36 5/16"
Ⓒ Overall depth of Downdraft (excluding mounting brackets)	4 1/4"
Ⓓ Height of chassis below benchtop (excluding mounting brackets)	28 3/4"
Ⓔ Height above benchtop	3/4"-14 5/16"
Ⓛ Width of chassis	33"
Ⓜ Depth of chassis	2 1/8"
Ⓝ Depth of ledge for cooktop overhang	3/8"
Ⓟ Depth of projecting vent body	1 1/2"
Ⓠ Depth of top trim	2"
Ⓡ Width of top trim	36"
Ⓢ Height of top trim	1/2"
Ⓣ Height of end cap	1/4"
Ⓤ Diameter of remote blower connection plate outlet	10"
Ⓥ Height and width of blower connection plate box	13"

Cutout Dimensions

	in
Width of cutout	33 1/2"
Depth of cutout from rear of cooktop overhang*	1 13/16"

* Refer to cooktop installation manual for cooktop dimensions and cutout specifications.

Minimum Clearances

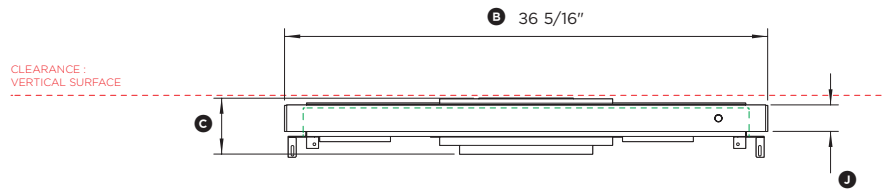
	in
Minimum clearance to rear of cabinet or wall from cutout	min 1"

Note: Downdrafts require either an internal or external blower. Refer to installation instructions for the blower options and their dimensions.

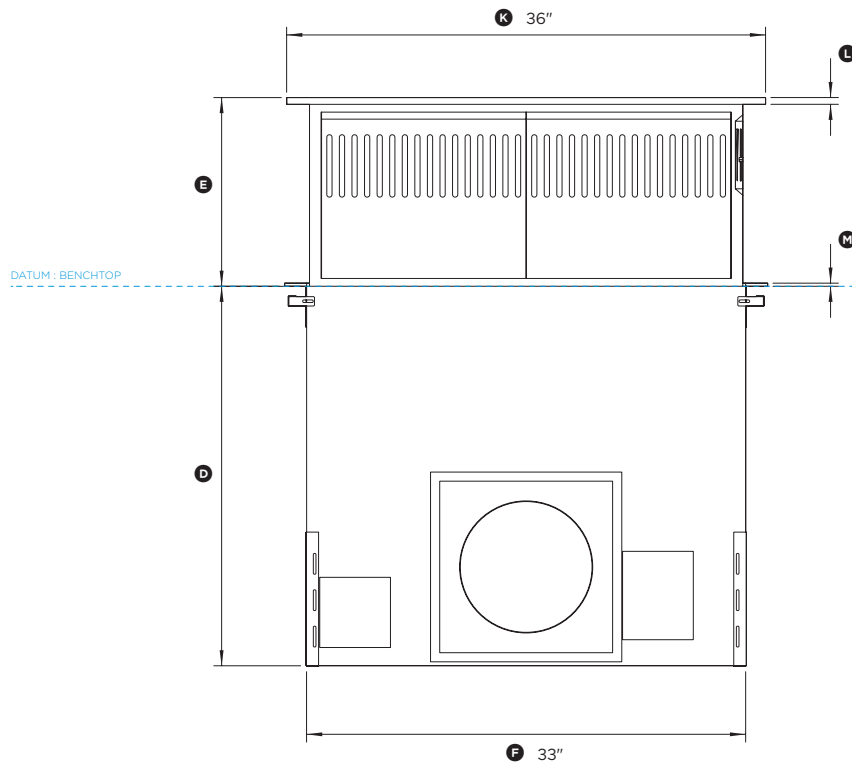
INDICATES CUTOUT -----
INDICATES CABINETRY DATUM -----
INDICATES CLEARANCES -----

DATE: **24.04.2018**

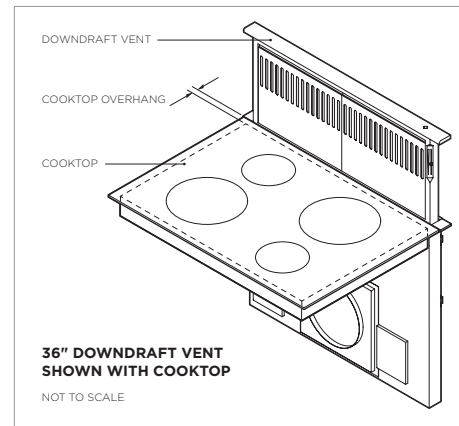
IMPORTANT: Throughout this guide, dimensions may vary by ±2mm (1/16"). Read the installation guide for detailed information on installing the product. For full installation instructions and specifications visit fisherpaykel.com



PLAN VIEW

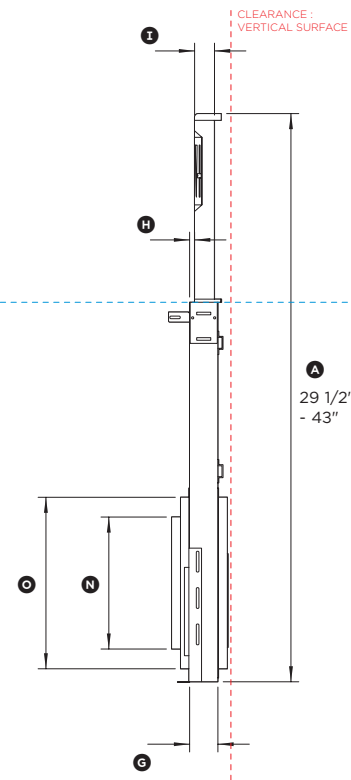


FRONT VIEW

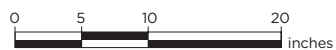


36" DOWNDRAFT VENT
SHOWN WITH COOKTOP

NOT TO SCALE



PROFILE VIEW



FISHER & PAYKEL

DATA SHEET 36" Professional Downdraft Vent System

Model no:

HD36

(refer page 1 for imperial measurements)

Dimensions	mm
Ⓐ Overall height of Downdraft (excluding mounting brackets)	749 - 1093
Ⓑ Overall width of Downdraft	922
Ⓒ Overall depth of Downdraft (excluding mounting brackets)	108
Ⓓ Height of chassis below benchtop (excluding mounting brackets)	730
Ⓔ Height above benchtop	19 - 363
Ⓕ Width of chassis	838
Ⓖ Depth of chassis	54
Ⓗ Depth of ledge for cooktop overhang	9.5
Ⓘ Depth of projecting vent body	38
Ⓚ Depth of top trim	51
Ⓛ Width of top trim	914
Ⓜ Height of top trim	13
Ⓝ Height of end cap	6
Ⓞ Diameter of remote blower connection plate outlet	254
Ⓟ Height and width of blower connection plate box	330

Cutout Dimensions	mm
Width of cutout	851
Depth of cutout from rear of cooktop overhang*	46

* Refer to cooktop installation manual for cooktop dimensions and cutout specifications.

Minimum Clearances	mm
Minimum clearance to rear of cabinet or wall from cutout	min 25

Note: Downdrafts require either an internal or external blower. Refer to installation instructions for the blower options and their dimensions.

INDICATES CUTOUT -----
INDICATES CABINETRY DATUM -----
INDICATES CLEARANCES -----

DATE: **24.04.2018**

IMPORTANT: Throughout this guide, dimensions may vary by ±2mm (1/16"). Read the installation guide for detailed information on installing the product. For full installation instructions and specifications visit fisherpaykel.com

