

FISHER & PAYKEL

DATA SHEET 30" Oven

Model no:
OB30SPPTX1
(refer page 2 for metric measurements)

Product Dimensions	in
Ⓐ Overall height of oven	27 1/8"
Ⓑ Overall width of oven	29 13/16"
Ⓒ Depth of front frame (excludes handle)	1 9/16"
Ⓓ Depth of oven chassis and front frame (excludes handle)	23 15/16"
Ⓔ Depth of chassis	22 7/16"
Ⓕ Height of chassis	26 9/16"
Ⓖ Width of chassis	28 5/16"
Ⓖ Height of control panel	3 15/16"
Ⓘ Height from bottom datum to top of oven door	22 5/8"
Ⓚ Height from bottom datum to centerline of handle	21 11/16"
Ⓛ Height from bottom datum to bottom of door	1"
Ⓜ Thickness of handle (excluding standoffs)	1"
Ⓝ Width of handle (including standoffs)	28 15/16"
Ⓞ Depth of handle (including standoffs)	2 5/16"
Ⓟ Depth of door (open) (measured from front of door)	21 11/16"

Minimum Clearances	in
Minimum inside height of cavity	26 13/16"
Minimum inside width of cavity	28 1/2"
Minimum inside depth of cavity (proud installation*)	22 5/8"

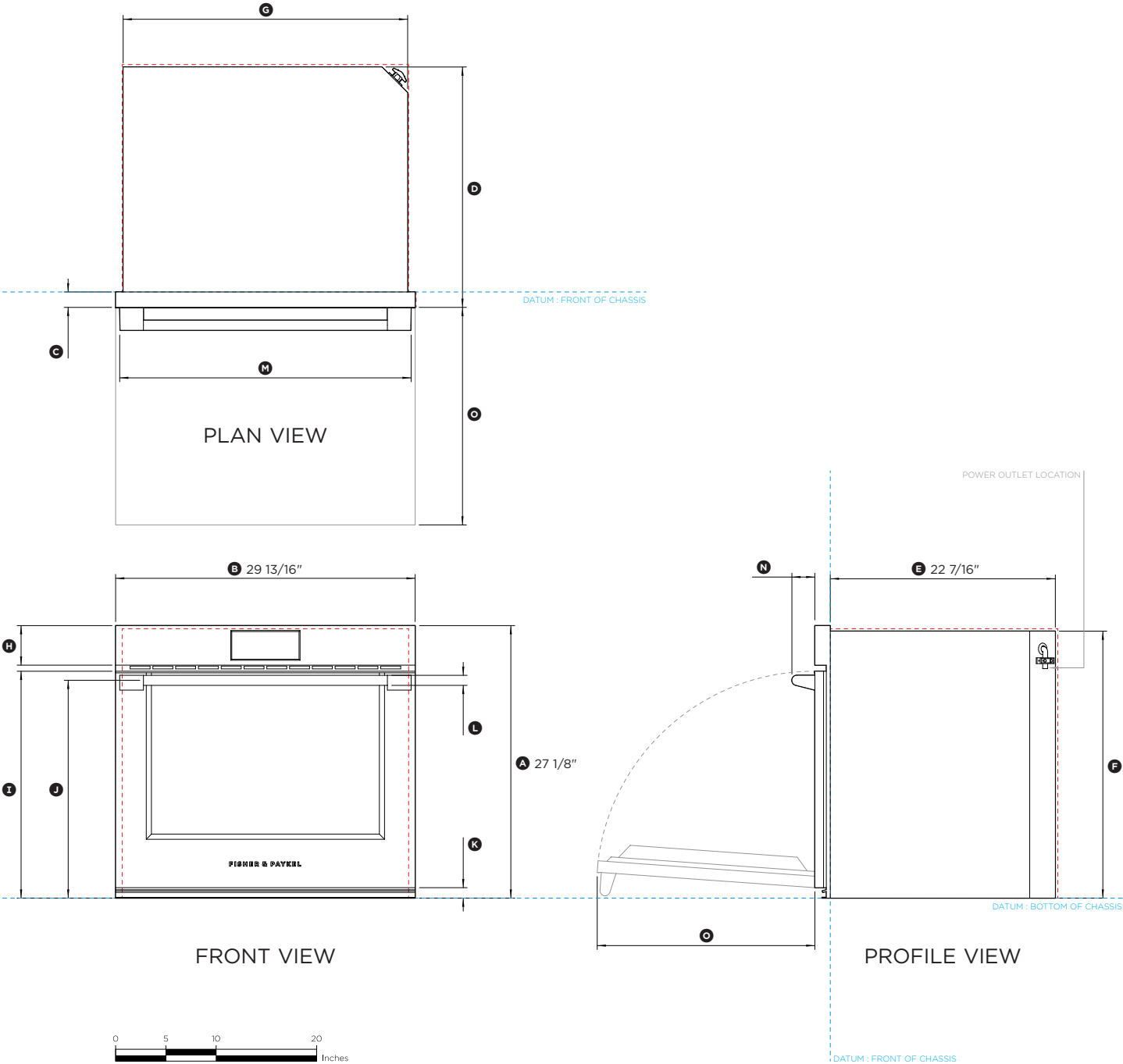
*Flush installation possible. Depending on cabinet panel thickness a rebate around front frame might be required, refer Installation Manual.

IMPORTANT NOTE: For full installation and clearance details please refer to our installation manual.

INDICATES PRODUCT DATUM -----
INDICATES CABINETRY CLEARANCES - - - - -

DATE: 11.09.2019

IMPORTANT NOTE: Throughout this guide, dimensions may vary by ±2mm (1/16"). Please read the installation manual for detailed information on installing the product. For full installation instructions & specifications visit fisherpaykel.com



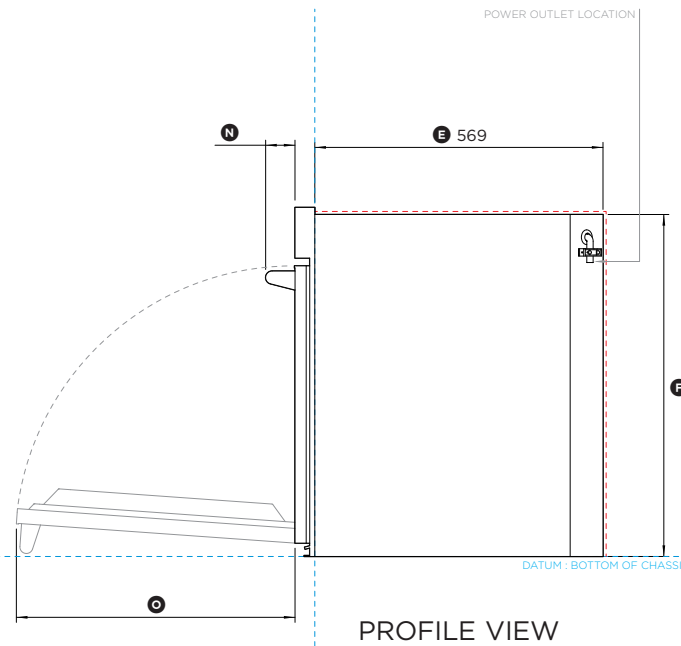
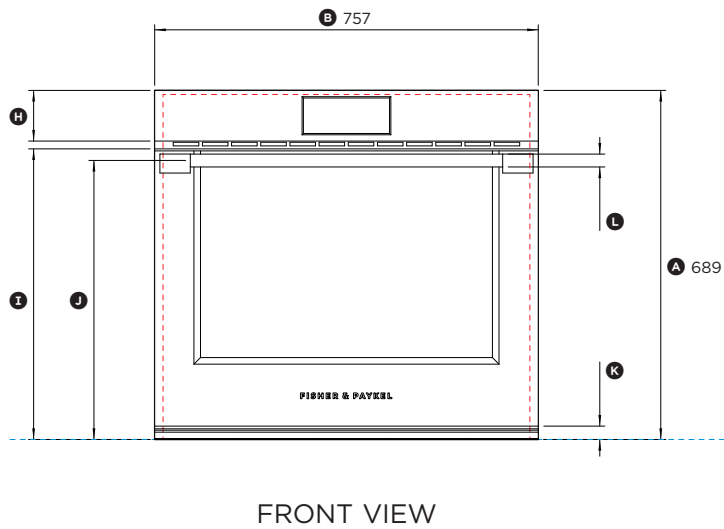
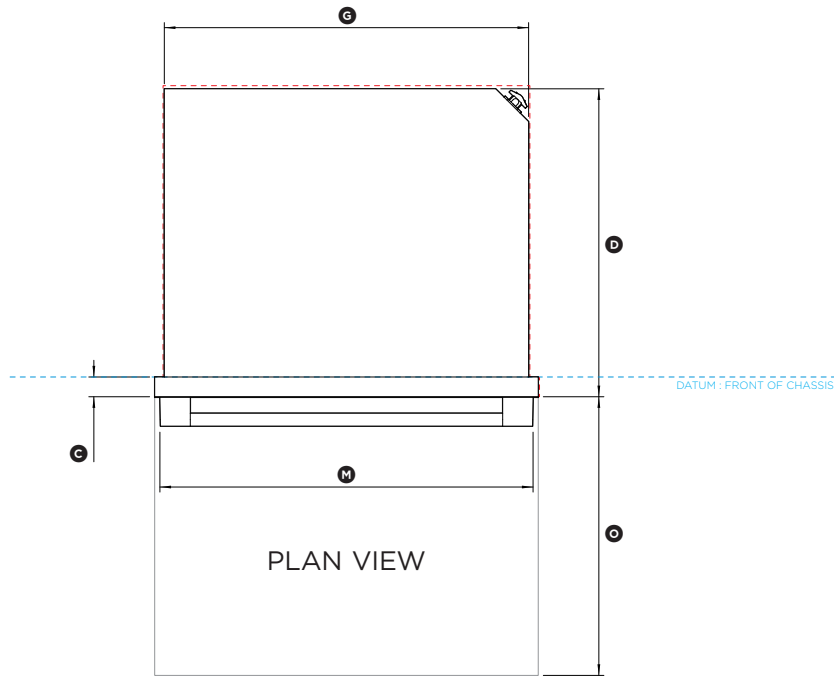
FISHER & PAYKEL

DATA SHEET 30" Oven

Model no:

OB30SPPTX1

(refer page 1 for imperial measurements)



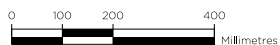
Product Dimensions	mm
Ⓐ Overall height of oven	689
Ⓑ Overall width of oven	757
Ⓒ Depth of front frame (excludes handle)	39
Ⓓ Depth of oven chassis and front frame (excludes handle)	608
Ⓔ Depth of chassis	569
Ⓕ Height of chassis	675
Ⓖ Width of chassis	719
Ⓗ Height of control panel	100
Ⓘ Height from bottom datum to top of oven door	574
Ⓚ Height from bottom datum to centerline of handle	551
Ⓛ Height from bottom datum to bottom of door	26
Ⓜ Thickness of handle (excluding standoffs)	25
Ⓝ Width of handle (including standoffs)	735
Ⓞ Depth of handle (including standoffs)	58
Ⓟ Depth of door (open) (measured from front of door)	550

Minimum Clearances	mm
Minimum inside height of cavity	681
Minimum inside width of cavity	724
Minimum inside depth of cavity (proud installation*)	575

*Flush installation possible. Depending on cabinet panel thickness a rebate around front frame might be required, refer Installation Manual.

IMPORTANT NOTE: For full installation and clearance details please refer to our installation manual.

INDICATES PRODUCT DATUM -----
INDICATES CABINETRY CLEARANCES - - - - -



DATE: 11.09.2019

IMPORTANT NOTE: Throughout this guide, dimensions may vary by $\pm 2\text{mm}$ (1/16"). Please read the installation manual for detailed information on installing the product. For full installation instructions & specifications visit fisherpaykel.com