

FISHER & PAYKEL

PRELIMINARY SPECIFICATION GUIDE

CONVECTION SPEED OVEN, 24"



OVERVIEW

With timeless Minimal styling, the Convection Speed Oven is designed to fit seamlessly into any kitchen. A flexible appliance that pairs the speed of speed cooking with oven technology, which can crisp and brown as it cooks. Featuring 22 cooking functions on an intuitive touch display for easy programming of desired cooking mode and duration. A Wired Temperature Sensor monitors cooking in real time for complete control.

*Selected markets and models

MODELS

Convection Speed Oven, 24"

Touchscreen, Dial
OM24NMTDB1

SERIES & STYLE

Series 9
Minimal

ACCESSORIES

- 1 Wire Shelves
- 2 Microwave oven glass pan
- 3 Wired Temperature Sensor

FEATURES

- 1 Minimal style, designed to fit flush with cabinetry
- 2 Compact size for smaller kitchens, and generous 1.7 cu ft capacity with 4 shelf positions to cook for everyday's needs
- 3 Intuitive, large 5" touchscreen display with illuminated dial
- 4 The benefits of both microwave and convection oven cooking in one
- 5 22 cooking functions, including 14 traditional convection functions, 4 microwave-only functions, and 4 microwave combination functions
- 6 Guided touchscreen cooking makes it simple to cook by food and function
- 7 Wireless Temperature Sensor precisely monitors cooking in real time*
- 8 Inverter technology for fast and even heating, and quiet product operation
- 9 Wi-Fi/Connected capability through the SmartHQ™ app*

*Selected markets and models

FISHER & PAYKEL

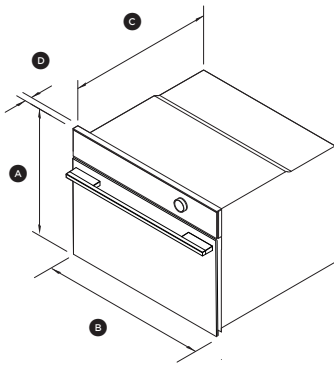
PRELIMINARY SPECIFICATION GUIDE

CONVECTION SPEED OVEN, 24"

SPECIFICATIONS

Model No.	OM24NMTDB1
Dimensions	H 18" W 23 7/16" D 22 1/4"
Total capacity	1.7 cu ft
Weight	32 kg (unpackaged) 46 kg (packaged)
Electrical	
Supply	208-240 V, 60 Hz
Service	23 A

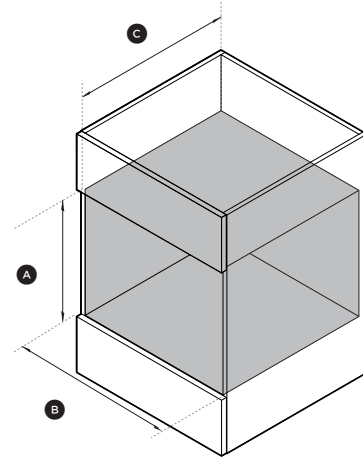
PRODUCT DIMENSIONS



ISO VIEW

	inch
Ⓐ Overall height	18
Ⓑ Overall width	23 7/16
Ⓒ Depth of chassis	21 7/16
Ⓓ Depth from front frame (excludes dial and handle)	13/16
Depth of oven door when fully open (measured from front of control panel)	12 5/8

CAVITY DIMENSIONS



ISO VIEW

	inch
Ⓐ Minimum inside height	17 5/16
Ⓑ Minimum inside width	22 1/16
Ⓒ Minimum inside depth	21 5/8