

Integrated Refrigerator Freezer, 36", Ice

Series 7 | Integrated

Panel Ready | Right Hinge

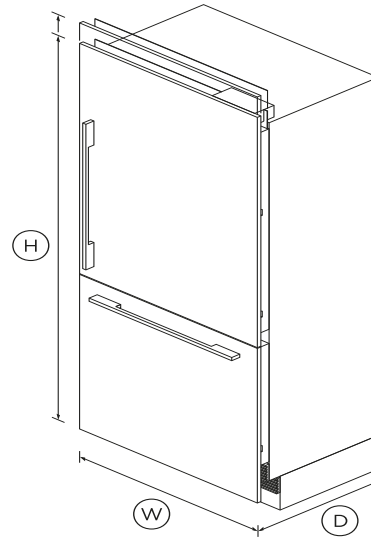


Choose a roomy refrigerator with ice maker. Fits flush with your custom cabinetry or with our stainless steel panels.

- ActiveSmart™ technology helps keep food fresher for longer by constantly maintaining the ideal temperature
- Customize with your own kitchen cabinetry or purchase our stainless steel door panel accessory
- Spacious bottom freezer with full extension drawer, and Internal ice maker with boost for busy times
- Can be fitted for a height of 80 or 84 inches

DIMENSIONS

Height	79 13/16"
Width	35 1/16"
Depth	23 3/4"



FEATURES & BENEFITS

ActiveSmart™ Foodcare

ActiveSmart™ Foodcare learns how you live. It's technology which understands how you use your refrigerator and adjusts temperature, airflow and humidity inside to help keep food fresher for longer.

Clever energy

Your refrigerator adapts to daily use by cooling and defrosting only when needed. This means your refrigerator uses the energy it needs without compromising on food care.

Complementary Design

With their premium handle styling and stainless steel finish, our refrigerators are designed to match the rest of Fisher & Paykel's kitchen appliance family.

Ice maker

Fresh ice is always available for you in a dedicated freezer bin. Simply turn it off to free up freezer space or during busy times, you can boost ice production by up to 30%.

Easy Cleaning

No more permanent dirty marks with our EZKleen feature for stainless steel refrigerators. Anti-fingerprint coating means you simply wipe clean any marks. Spill-safe secure glass shelves easily capture any drips or leaks.

Simple storage

This refrigerator is designed to make it simple for you to store, access and remove food. Storage bins give you full access inside when they're pulled open and can be easily removed to clean. Our flexible shelving also gives you more storage options.

Easy Installation

Our integrated products are easy to install, whether you are renovating your kitchen or designing a new one. Our refrigerators are designed for minimal gaps with adjustable front and rear feet to allow for uneven floors alongside adjustable door panels that can be customized to match your kitchen.

SPECIFICATIONS

Accessories (sold separately)

Door panel stainless steel	80" Right hinge RD3680WR,
Handle kit Contemporary	AHS-ASBI-B
Handle kit Contemporary	AHD5RD36W
Handle kit Contemporary	AHD5RD36WB
Handle kit Contemporary	RS36W
Handle kit Professional round	AHCRS36W

Handle kit Professional round	AHP3RD36W
Handle kit Professional square	AHV2RS36W
Joiner kit	RS80
Water filter replacement	847200 - FWC3

Capacity

Total gross capacity	16.8cu ft
Volume	16.8cu ft
Volume freezer	5.1cu ft
Volume refrigerator	11.7cu ft

Consumption

Energy rating	Energy star
Energy usage	534kWh/year
In-use energy carbon	65.8kgCO2e/year

Features

Adjustable door shelves	6
Adjustable glass cantilevered	•
Adjustable glass shelves	3
Covered door shelves	2
Deli storage bins	1
Door alarm	•
Fruit and vegetable bins	2
LED lighting	•
SmartTouch control panel	•
Stackable bottle holders	4
Wi-Fi connectivity	•

Freezer Features

Automatic ice maker	•
Bottle chill	•
Drawer alarm	•
Fast freeze	•
Freezer bins	2
Ice Boost	•
LED lighting	•
Slide Out Pastry Tray	•

Performance

ActiveSmart™ Foodcare	•
Adaptive defrost	•
Frost free freezer	•
Humidity control system	•
Inverter controlled compressor	•
Sabbath mode	•

Power requirements

Rated current	10A
Supply frequency	60Hz
Supply voltage	115V

Product dimensions

Depth	23 3/4"
Height	79 13/16"
Width	35 1/16"

Product information

Unpackaged weight	327lbs
-------------------	---------------

Warranty

Parts and labour	2 years
Sealed system parts only	5 years

SKU	26318
-----	--------------

The product dimensions and specifications in this page apply to the specific product and model. Under our policy of continuous improvement, these dimensions and specifications may change at any time. You should therefore check with Fisher & Paykel's Customer Care Centre to ensure this page correctly describes the model currently available. Fisher & Paykel Appliances Ltd 2020

Where applicable:

All appliances use energy, and energy usage typically generates carbon emissions. **Fisher & Paykel Appliances' In-use Energy Carbon Emissions Estimate** indicates carbon emissions from a product's in-use energy. This is calculated either annually or per cycle, using the product's market-specific energy label energy consumption data multiplied by the carbon emissions factor for energy in your country or region.

Our In-use Energy Carbon Emissions Estimate is designed to assist customers in making informed purchasing decisions when comparing different Fisher & Paykel products. For example, a heat pump dryer typically has a lower In-use Energy Carbon Emissions Estimate than a vented dryer.

Other product downloads available at fisherpaykel.com



User Guide



Guide d'utilisation FR



Energy Label



Service & Warranty



Water Filter Replacement Instructions & Installation Guide
EN



Guide d'installation - Instructions de Remplacement du
Filtre à Eau FR



Dual Installation Guide EN



Installation Guide EN / Guide d'installation FR



Data Sheet Integrated Fridge Freezer



Planning Guide Integrated Fridge Freezer



A PEACE OF MIND SALE

24 Hours 7 Days a Week Customer Support

T 1.888.936.7872 **W**www.fisherpaykel.com