

# Built-in Coffee Maker, 30"

Series 9 | Professional

Stainless Steel

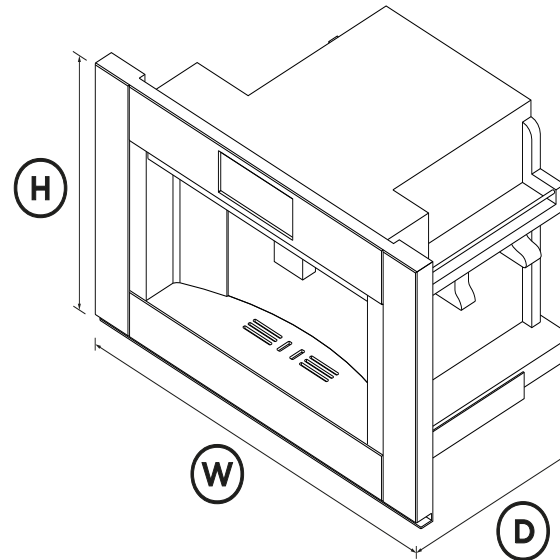


Our built-in coffee maker pours a delicious coffee, however you take it. Pairs perfectly with 30" ovens and other Professional-style companion products.

- Make barista-standard coffee just the way you like it, with 13 options from Americano to Macchiato or Latte
- Your favorite coffee can be memorized and set to start at the same time each day, so it's ready when you are
- With self-cleaning function for an effortless clean
- Part of our suite of companion products, designed to match aesthetically for flexible configurations

## DIMENSIONS

Height	18 1/2"
Width	29 13/16"
Depth	19 1/8"



## FEATURES & BENEFITS

### COFFEE CHOICE

Our coffee maker has 13 different options to suit individual taste and selection - from Americano to Macchiato

### SELF CLEANING

The Coffee Maker has a self-cleaning function, and comes with a removable drip tray and a waste container for used coffee grounds.

### Complementary Design

Finished in stainless steel, this coffee maker is designed to match other Professional-style companions as well as Professional

cooktops and ovens in the Fisher & Paykel family.

### COFFEE YOUR WAY

Program an automatic setting to start up at the same time each day and memorize your favorite coffee. The intuitive touch display includes refill, cleaning and maintenance data, while twin LED lights illuminate your beverages so you can see what you are doing on those dark mornings.

### Sized To Suit

This 30" Built-in Coffee Maker is perfect for the compact kitchen and can be placed virtually anywhere. All companion products can be installed at a convenient height to suit your kitchen design and preference.

### Barista-Style Coffee

The conical burr grinder delivers a consistent grind for the perfect coffee. Set it to suit your preference.

## SPECIFICATIONS

### Accessories

- Coffee spoon
- Descaling agent bottle
- Extractable steam outlet
- Water Filter

### Capacity

Coffee bean container capacity	0.75lbs
Drip tray capacity	0.25 gallons
Grounds container capacity	14 cups of coffee
Number of cups	1 or 2

### Cleaning

- Easy to remove coffee grinds

- Easy to remove stainless steel
- Removable drip tray with level

**Controls**

- Cleaning reminder
- Coffee grounds full reminder
- Intuitive information display
- LED lights **4**
- Multi-language interface
- Refill coffee bean reminder
- Water tank empty indicator

**Functions**

- Americano
- Cappuccino
- Coffee
- Coffee strength levels **5**
- Cup size levels **4 + manual**
- Double espresso
- Espresso
- Espresso macchiato
- Flat white
- Hot milk
- Hot water
- Latte
- Latte macchiato
- Long black
- Number of functions **13**
- Personalised coffee
- Steam

- Takes pre-ground coffee

**Performance**

Coffee temperatures	<b>5 x settings</b>
Grinder	<b>Stainless steel conical burr</b>
Grinding coarseness	<b>13 positions</b>
Heating system	<b>Thermablock with stainless</b>
Heating system power (coffee)	<b>1200W</b>
Integrated cup warmer shelf	•
Integrated storage for	•
Pump power	<b>50</b>
Pump pressure	<b>15Bar</b>

**Power requirements**

Amperage	<b>10A</b>
Supply frequency	<b>50Hz</b>
Supply voltage	<b>120V</b>

**Product dimensions**

Depth	<b>19 1/8"</b>
Height	<b>18 1/2"</b>
Width	<b>29 13/16"</b>

**Warranty**

Parts and labour	<b>2 years</b>
------------------	----------------

SKU	<b>81928</b>
-----	--------------

The product dimensions and specifications in this page apply to the specific product and model. Under our policy of continuous improvement, these dimensions and specifications may change at any time. You should therefore check with Fisher & Paykel's Customer Care Centre to ensure this page correctly describes the model currently available. Fisher & Paykel Appliances Ltd 2020

**Where applicable:**

All appliances use energy, and energy usage typically generates carbon emissions. **Fisher & Paykel Appliances' In-use Energy Carbon Emissions Estimate** indicates carbon emissions from a product's in-use energy. This is calculated either annually or per cycle, using the product's market-specific energy label energy consumption data multiplied by the carbon emissions factor for energy in your country or region.

Our In-use Energy Carbon Emissions Estimate is designed to assist customers in making informed purchasing decisions when comparing different Fisher & Paykel products. For example, a heat pump dryer typically has a lower In-use Energy Carbon Emissions Estimate than a vented dryer.

---

Other product downloads available at [fisherpaykel.com](https://fisherpaykel.com)

- [↓](#) Guide d'utilisation FR
- [↓](#) User Guide EN
- [↓](#) Service & Warranty
- [↓](#) Guide d'installation FR
- [↓](#) Installation Guide
- [↓](#) Data Sheet Coffee Maker
- [↓](#) Planning Guide - Professional 30" Built-in Ovens and Companions



**A PEACE OF MIND SALE**

24 Hours 7 Days a Week Customer Support

T 1.888.936.7872 W [www.fisherpaykel.com](https://www.fisherpaykel.com)