

FISHER & PAYKEL

PROFESSIONAL RANGE HOOD

HCB30-6, HCB36-6, HCB36-12, HCB48-12
HC36 (Shell) & HC48 (Shell) models

HOTTE PROFESSIONNELLE

Modèles HCB30-6, HCB36-6, HCB36-12, HCB48-12
HC36 (Coque) et HC48 (Coque)

INSTALLATION GUIDE / USER GUIDE
GUIDE D'INSTALLATION / GUIDE D'UTILISATION

US CA

English

Page 1 - 29

Français

Page 31 - 59

Introduction	3
Safety and warnings	4
Product information	6
Installation preparation	8
Installation instructions	16
Operating instructions	24
Cleaning and maintenance	25
Maintenance	27
Parts and accessories	28
Service and warranty	29

IMPORTANT!

SAVE THESE INSTRUCTIONS

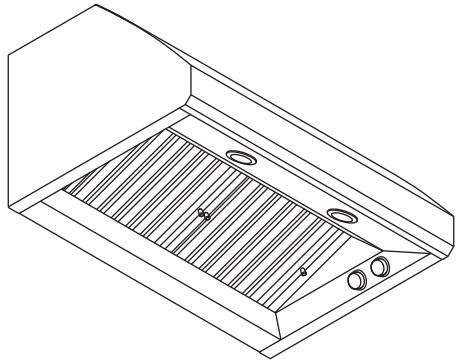
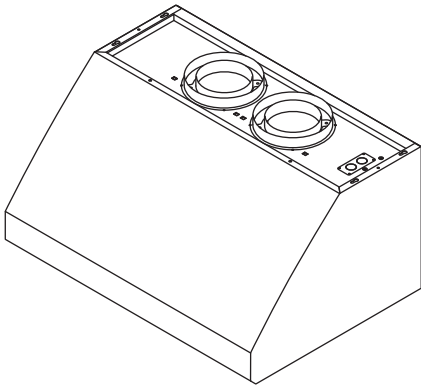
The models shown in this user guide may not be available in all markets and are subject to change at any time. For current details about model and specification availability in your country, please go to our website fisherpaykel.com or contact your local Fisher & Paykel dealer.

Registration

Register your product with us so we can provide you with the best service possible.

To register your product visit our website: fisherpaykel.com

Welcome to the family of Fisher & Paykel appliances. Our team has spent thousands of hours designing, engineering and testing it to make sure you get the perfect product for your home. For more information visit our website or for further support, contact our customer care team.



SAFETY AND WARNINGS

WARNING!



Weight Hazard

The appliance is heavy. Please ensure adequate care is taken when installing the appliance to prevent personal injury. Weight of the products are:

HCB30 = 66lb (30kg)

HCB36 = 75lb (34kg)

HCB48 = 99lb (45kg)

HC36 = 68lb (31kg)

HC48 = 84lb (38kg)

WARNING!



Electric Shock Hazard

Always disconnect the appliance from the mains power supply before carrying out any maintenance or repairs.

Installation work and electrical wiring must be done by qualified person(s) in accordance with all applicable codes and standards, including fire-rated construction.

Failure to do so can result in death, electric shock, fire or injury to persons.

IMPORTANT SAFETY INSTRUCTIONS

READ THE ENTIRE SET OF INSTRUCTIONS BEFORE INSTALLING OR USING THIS APPLIANCE.

CAUTION: For general ventilating use only. Do not use to exhaust hazardous or explosive materials and vapors.

WARNING: To reduce the risk of fire, electric shock, or injury to persons, observe the following:

- Use this unit only in the manner intended by the manufacturer. If you have questions, contact the manufacturer. For **residential use only**.
- **Before servicing or cleaning unit, switch power off** at service panel and **lock** the service disconnecting means to prevent power from being switched on accidentally. When the service disconnecting means cannot be locked, **securely fasten a prominent warning device**, such as a tag, to the service panel.
- Installation work and electrical wiring must be done by **qualified person(s)** in accordance with all applicable codes and standards, including fire-rated construction.
- Sufficient air is needed for proper combustion and exhausting of gases through the flue (chimney) of fuel burning equipment to **prevent back drafting**. Follow the heating equipment manufacturer's guideline and safety standards such as those published by the National Fire Protection Association (NFPA), and the American Society for Heating, Refrigeration and Air Conditioning Engineers (ASHRAE), and the local code authorities.

- When cutting or drilling into wall or ceiling, do not damage electrical wiring and other hidden utilities.
- Ducted fans must always be vented to the outdoors.
- This unit must be grounded.

CAUTION: To reduce the risk of fire and to properly exhaust air, be sure to duct air outside. Do not vent exhaust air into spaces within walls or ceilings or into attics, crawl spaces, or garages.

WARNING: To reduce the risk of fire, use only metal ductwork.

WARNING: To reduce the risk of fire or electric shock, do not use this fan with any solid-state speed control device.

WARNING: To reduce the risk of a range top grease fire:

- Never leave surface units unattended at high settings. Boilovers cause smoking and greasy spillovers that may ignite.
- Heat oils slowly on low or medium settings.
- Always turn hood ON when cooking at high heat or when flambéing food (ie Crepes Suzette, Cherries Jubilee, Peppercorn Beef Flambé)
- Clean ventilating fans frequently. Grease should not be allowed to accumulate on fan or filter.
- Use proper pan size. Always use cookware appropriate for the size of the surface element.

WARNING: To reduce the risk of injury to persons in the event of a range top grease fire, observe the following*:

- Smother flames with a close-fitting lid, cookie sheet, or metal tray, then turn off the burner. Be careful to prevent burns. If the flames do not go out immediately, evacuate and call the fire department.
- Never pick up a flaming pan—you may be burned.
- Do not use water, including wet dishcloths or towels—a violent steam explosion will result.
- Use an extinguisher only if:
 - You know you have a Class ABC extinguisher, and you already know how to operate it.
 - The fire is small and contained in the area where it started.
 - The fire department is being called.
 - You can fight the fire with your back to an exit.

WARNING: All wall and floor openings where the range hood is installed must be sealed.

READ AND SAVE THESE INSTRUCTIONS

*Based on "Kitchen Firesafety Tips" published by NFPA.

PRODUCT INFORMATION

General information

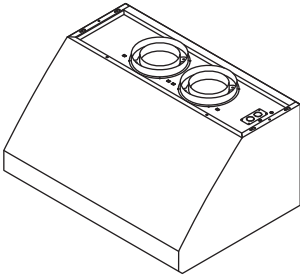
Please read this manual carefully, and keep it after installation as it will help answer questions that may arise as you use your new Fisher & Paykel range hood.

Keep all packing material (box, pallet, straps) until the unit has been inspected. Inspect the product to check there is no shipping damage. If any damage is detected contact the dealer or retailer you bought the product from to report the damage. Fisher & Paykel is not responsible for shipping damage.

WARNING!

For residential use only.

Parts included with your range hood:



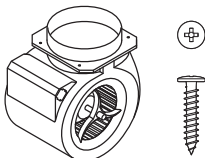
Range hood with light bulbs and 8" (203mm) duct connection rings installed (1)



User guide (1)

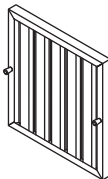


Wall plug (2)



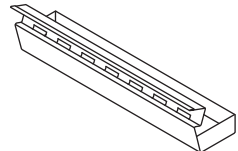
Internal blower, including 3/4" (19mm) screws (4)

- HCB30-6 (1)
- HCB36-6 (1)
- HCB36-12 (2)
- HCB48-12 (2)
- HC36/48 (0)



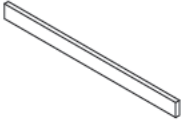
Filters

- HCB30 (2)
- HCB36/HC36 (2)
- HCB48/HC48 (3)



Grease trays

- HCB30 (2)
- HCB36/HC36 (2)
- HCB48/HC48 (3)



Wooden bracket (length depending on model)
found mounted to the back of the range hood.
Used as part of the installation **DO NOT THROW AWAY**



3/4" (19mm)
Self-tapping screw (8)



3/4" (19mm)
Flat washer (2)



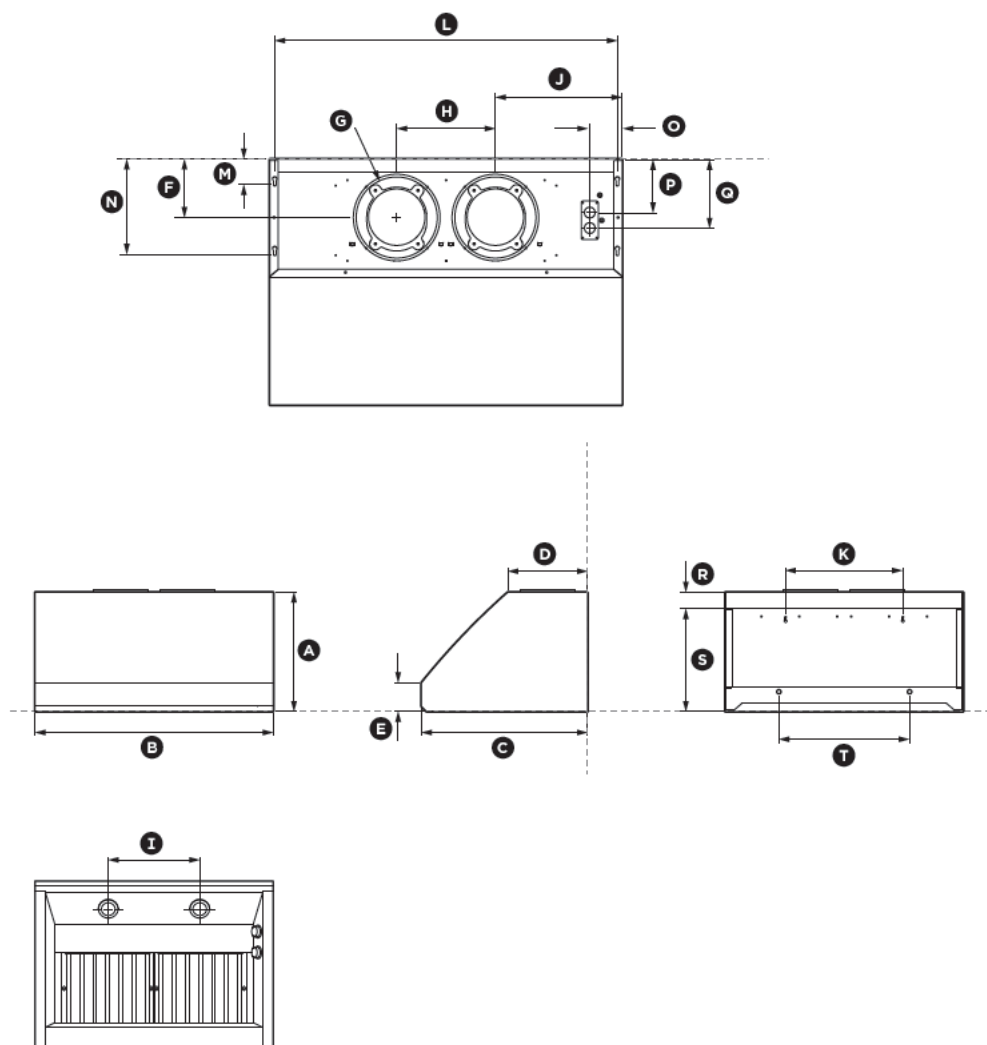
3" (76mm)
Self-tapping screw (4)

Other required materials and tools:

- Metal ducting.
- Aluminum tape (DO NOT use duct tape).
- 3/4" (19mm) cULus approved wiring conduit and connectors.
- 3/4" (19mm) cULus approved strain relief.
- cULus listed wire nuts.
- Back draft damper(s) if desired.

INSTALLATION PREPARATION

Product dimensions



	HCB30-6	HCB36-6	HCB36-12 HC36	HCB48-12 HC48
PRODUCT DIMENSIONS	inches (mm)	inches (mm)	inches (mm)	inches (mm)
(A) Overall height of product	18" (457)	18" (457)	18" (457)	18" (457)
(B) Overall width of product	29 7/8" (759)	35 7/8" (911)	35 7/8" (911)	47 7/8" (1216)
(C) Overall depth of product	25 1/16" (636)	25 1/16" (636)	25 1/16" (636)	25 1/16" (636)
(D) Depth of top face of product	12" (305)	12" (305)	12" (305)	12" (305)
(E) Height of front face	4 5/16" (110)	4 5/16" (110)	4 5/16" (110)	4 5/16" (110)
(F) Distance from center of ducting outlet to back of product	5 7/8" (150)	5 7/8" (150)	5 7/8" (150)	5 7/8" (150)
(G) Diameter of ducting outlet	8 3/16" (208)	8 3/16" (208)	8 3/16" (208)	8 3/16" (208)
(H) Distance between center of blowers	N/A	N/A	10 1/16" (255)	10 1/16" (255)
(I) Distance between center of lights	12" (305)	13 3/4" (350)	13 3/4" (350)	12" (305)
(J) Distance between center of blower to side of range hood	14 15/16" (380)	17 15/16" (456)	12 15/16" (328)	18 7/8" (480)
(K) Distance between wall mounting slots	17 5/8" (448)	17 5/8" (448)	17 5/8" (448)	17 5/8" (448)
(L) Distance between under cabinet mounting slots	28 7/8" (734)	34 7/8" (886)	34 7/8" (886)	46 7/8" (1191)
(M) Distance from wall to rear under cabinet mounting slots	2 5/8" (66)	2 5/8" (66)	2 5/8" (66)	2 5/8" (66)
(N) Distance from wall to front under cabinet mounting slots	9 11/16" (246)	9 11/16" (246)	9 11/16" (246)	9 11/16" (246)
(O) Dimension from side of range hood to junction box knockout	3 7/8" (98)	3 5/16" (84)	3 5/16" (84)	6 1/16" (154)
(P) Dimension from back to rear junction box knockout	5 7/16" (138)	5 7/16" (138)	5 7/16" (138)	5 7/16" (138)
(Q) Dimension from back to front junction box knockout	7" (178)	7" (178)	7" (178)	7" (178)
(R) Height from top of range hood to recess on back	2 1/2" (63)	2 1/2" (63)	2 1/2" (63)	2 1/2" (63)
(S) Height from bottom of range hood to top of recess on back	15 1/2" (394)	15 1/2" (394)	15 1/2" (394)	15 1/2" (394)
(T) Distance between wall plug mounting holes.	17 5/8" (448)	17 5/8" (448)	17 5/8" (448)	17 5/8" (448)

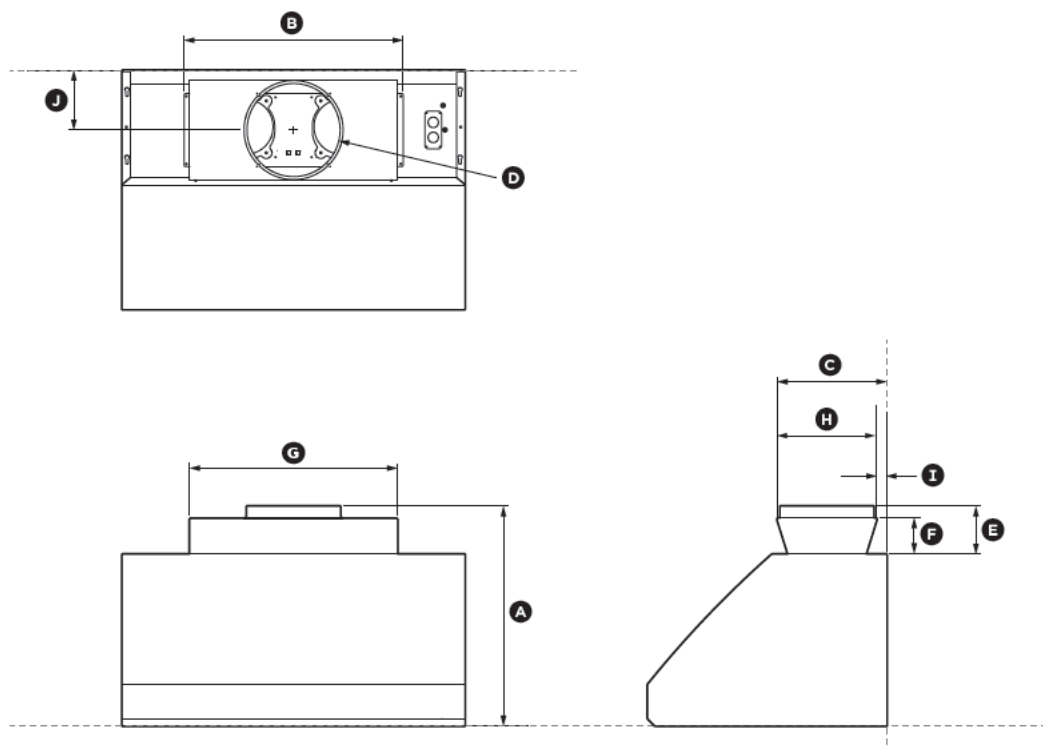
IMPORTANT!

- **Actual product dimensions may vary by ± 1/16" (2mm).**
- **Please read the entire instructions before installing the range hood.**

INSTALLATION PREPARATION

Product dimensions

Differences if 10" duct transition is added to HCB36-12, HCB48-12, HC36, HC48



PRODUCT DIMENSIONS		inches (mm)
(A)	Overall height of product with ducting transition added	23" (585)
(B)	Overall width of ducting transition	22 13/16" (580)
(C)	Overall depth of ducting transition to wall	11" (280)
(D)	Outlet diameter	10" (254)
(E)	Height of transition outlet pipe above range hood	5" (128)
(F)	Height of transition body above range hood	3 3/4" (95)
(G)	Width of transition body	21 3/4" (552)
(H)	Depth of transition body	10 1/16" (256)
(I)	Distance from back edge of cooktop to transition body	1 1/16" (26)
(J)	Distance from centre of outlet to wall	6 1/4" (159)

IMPORTANT!

- Actual product dimensions may vary by $\pm 1/16"$ (2mm).
- Please read the entire instructions before installing the range hood.

INSTALLATION PREPARATION

Range hood width

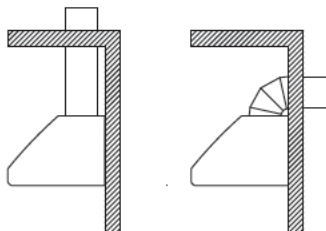
- The range hood width is recommended to be no less than the width of the cooktop.
- A wider range hood can be used to increase the capture area if space is not restricted.
- The range hood should ideally be centered above the cooktop for proper performance.

Determine installation location

WARNING!

- To reduce the risk of fire, use only metal ductwork.
- Do not use flexible ducting.

This range hood can be installed using a wall mounting system or be suspended under cabinetry. Ducting can be configured for both vertical and horizontal discharge. The ducting can terminate either through the roof or wall. To vent through the wall a 90° elbow is needed.



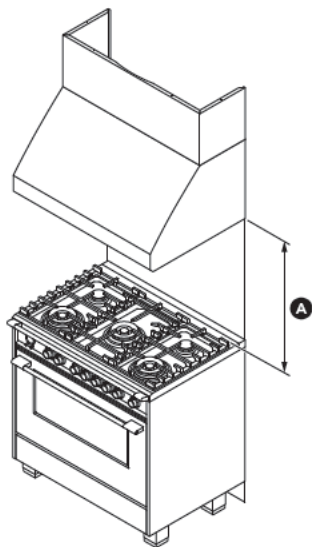
Height of the range hood

The installation height ranges from a minimum height of 30" (762mm) to a maximum recommended height of 42" (1067mm). Consult the cooktop installation and user guide for details of the required installation height of the range hood.

This range hood must be installed no lower than the minimum height indicated in the table below. Minimum installation height may be greater if required by the cooktop manufacturer. Installation at the minimum height will improve the efficiency of capturing cooking odors, grease and smoke. Installation at the maximum recommended height improves user ergonomics by offering increased head room.

IMPORTANT!

- Always switch your range hood on when you are cooking.
- Using a powerful gas cooktop or multiple gas burners operating at the same time can cause the range hood surfaces to become hot, this effect can be reduced by:
 - Using the maximum speed setting to enable hot air to be extracted quickly.
 - Installing the range hood at the maximum recommended height. Consult the cooktop installation and user guide for details on the installation height of the range hood.



INSTALLATION DIMENSIONS

inches (mm)

- Ⓐ Top of cooking surface to base of the range hood

Minimum 30" (762mm)
Maximum recommended 42" (1067mm)

Calculating the installation height

Installation height for a standard 96" (2438mm) high kitchen ceiling is shown below. Use the following formula to calculate installation height:

$$A = W - (X + Y + Z)$$

Where:

A = Installation height

W= Ceiling height

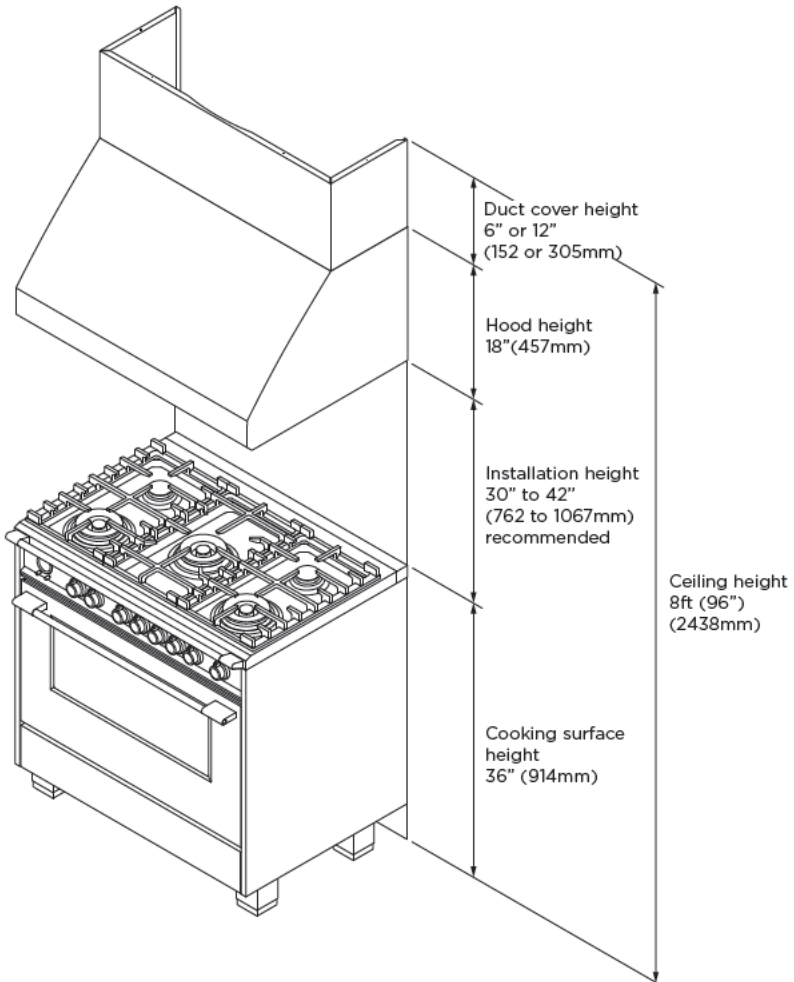
X = Cooktop surface height

Y = Range hood height

Z = Duct cover height (if desired)

Example: (A) Installation height = 96" - (36" + 18" + 12") = 30"

Example: (A) Installation height = 2438mm - (914mm + 457mm + 305mm) = 762mm

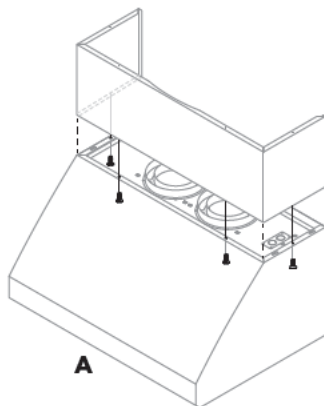


INSTALLATION PREPARATION

Optional extras

Duct covers

Duct covers may be used to fill the space between the range hood and the ceiling in wall mount installations. These covers are available in 6" (152mm) and 12" (305mm) sizes and may be ordered separately, see 'Parts and accessories'. Refer to 'Installation instructions' for calculation of installation height to determine which duct cover(s) may be required.



Duct cover installation

- 1 Place the duct cover on the range hood.
- 2 From inside of range hood, insert the 5/16" (8mm) T20 (TORX) head machine screws through the 4 holes in the duct cover (refer to **A**).

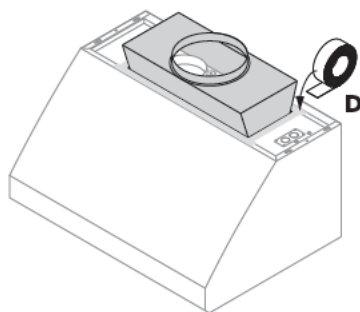
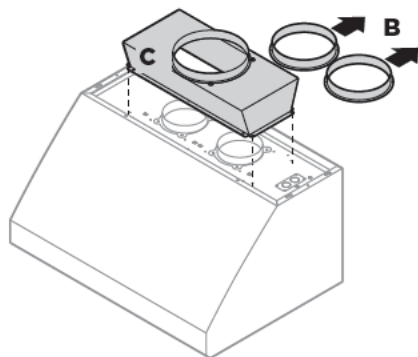
Note: Multiple duct covers can be used if additional height is required. Duct covers are available in 6" (152mm) and 12" (305mm) heights. Screw the duct covers together before placing them onto the range hood and completing step 2.

Duct transition

- The range hood is supplied with individual duct connection rings that connect to 8" (208mm) ducting, (refer to **B**).
- An optional transition may be ordered separately, please refer to 'Parts and accessories' for details. This can be mounted to the top of the range hood to provide a single 10" (254mm) outlet.
- For wall mounting installation the transition should be installed **before** the range hood is mounted.
- For cabinet mounting installation the transition should be mounted **after** installing the range hood.

Duct transition assembly

- 1 Remove the individual 8" (203mm) duct connection rings (refer to **B**).
- 2 Place the transition piece over the range hood exhaust, secure from the inside of the range hood with 5/16" (8mm) T20 (TORX) head machine screw provided with the transition (refer to **C**).
- 3 Seal the connection between the transition and range hood with aluminum tape (refer to **D**).



Infra-red heat lamp and panel kit

If an optional infra-red heat lamp kit was purchased for installation with the range hood, assemble the kit to the range hood prior to installation. See instructions supplied with the kit for assembly to your range hood.

WARNING!

To avoid any electrical shock the installation of the infra-red heat lamp and panel kit should be done by a qualified electrician and before starting the installation of the range hood.

INSTALLATION INSTRUCTIONS

Electrical requirements

WARNING!

- **Installation and electrical wiring must be done by qualified person(s) in accordance with all applicable codes and standards.**
- **This unit must be grounded/earthed.**
- This range hood must be connected with copper wire only.
- A 120 volt, 60Hz AC-only electrical supply is required on a dedicated 20A branch circuit. A time-delay fuse or circuit breaker is recommended.
- Wire sizes must conform to the requirements of the National Electrical Code, ANSI/NFPA 70-latest edition, and all local codes and ordinances.
- Wire size and connections must conform to the rating of this appliance.
- This appliance should be connected directly to the fuse disconnect (or circuit breaker) through flexible, armored or non-metallic sheathed copper cable. Allow some slack in the cable so the appliance can be moved if servicing is required.
- A cULus listed strain relief or 3/4" (19mm) conduit connector must be provided at each end of the power supply cable (at the appliance and at the junction box).

WARNING!

To reduce the risk of fire or electric shock, do not use this fan with any solid-state speed control device.

Venting requirements

CAUTION!

To reduce risk of fire and to properly exhaust air, be sure to duct air outside—Do not vent exhaust air into spaces within walls or ceilings or into attics, crawl spaces, or garages.

- The range hood can be installed to operate with the exhaust air ducted externally from the kitchen.
- Use the shortest and straightest duct route possible, for optimal efficiency. Elbows and transitions increase noise and reduce air flow efficiency.
- For best results:
 - In ducted installations with internal blowers use 8" (203mm) round ducting.
 - For inline blowers use 10" (254mm) round ducting.

Note: This range hood cannot be used in conjunction with a recirculation unit.

Make-up air (not included)

Attention should be given to ensure that any applicable regulations concerning the discharge of exhaust air are fulfilled.

- Local building codes may require the use of make-up air systems when using ducted ventilation systems greater than specified cubic feet per minute (CFM) of air movement. The specified CFM varies from locale to locale.
- It is the responsibility of the owner and the installer to determine if additional requirements and/or standards apply to specific installations.

Compatible blowers

This range hood may only be used in connection with these internal or inline blowers:

- Internal blowers come with the range hood (for HCB30/36/48 range hood models).
- Inline blowers can be purchased separately (for HC36/48 range hood models).

This range hood may only be used with a Fisher & Paykel approved inline blower.

To minimize noise in the kitchen, these blowers are mounted along the duct line anywhere between the kitchen and the exterior wall.

CAUTION!

To reduce the risk of fire and electric shock, install this range hood only with remote blower models rated maximum 7.6A or integral blowers supplied with the range hood.

WARNING!

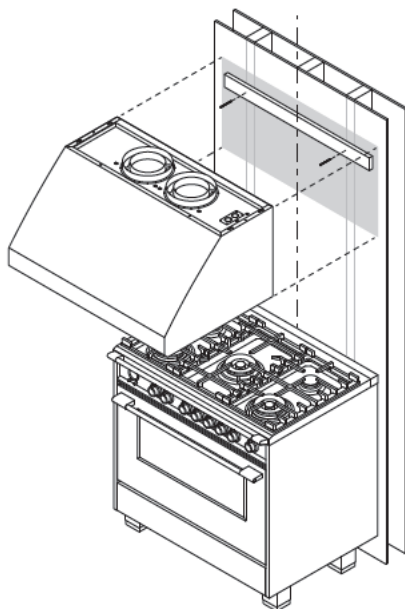
- This appliance is heavy and requires two persons for unpacking and installation.
- Installation work and electrical wiring must be done by qualified person(s) in accordance with all applicable codes and standards.
- Failure to install the screws or fixing device in accordance with these instructions may result in electrical hazards.
- When cutting or drilling into wall or ceiling, do not damage electrical wiring and other hidden utilities.

IMPORTANT!

- Wear gloves to protect against sharp edges.
- The manufacturer is not liable for any damage caused by not following these instructions.

Before you start installation

- Ensure you have read the 'Installation preparation' section of this guide.
- Read the install instructions carefully.
- Unpack the range hood.
- Ensure the voltage (V) and the frequency (Hz) indicated on the serial plate match the voltage and frequency of the installation site.
- Check that the area above and behind the installation surface is clear of any electrical cables or pipes and there is proper clearance for the ducting.
- The range hood surfaces can be damaged during installation if grazed or knocked by tools.
- Protect the cooktop to prevent damage occurring whilst the range hood is being installed above.
- Remove protective wrappings that will not be accessible after installation.
- The wall or cabinet used for mounting the range hood should have sufficient strength and a flat surface.

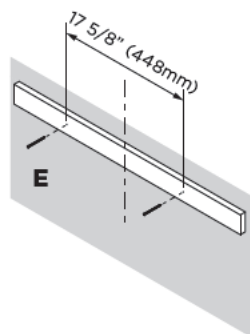
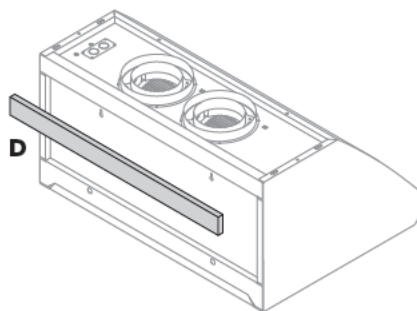
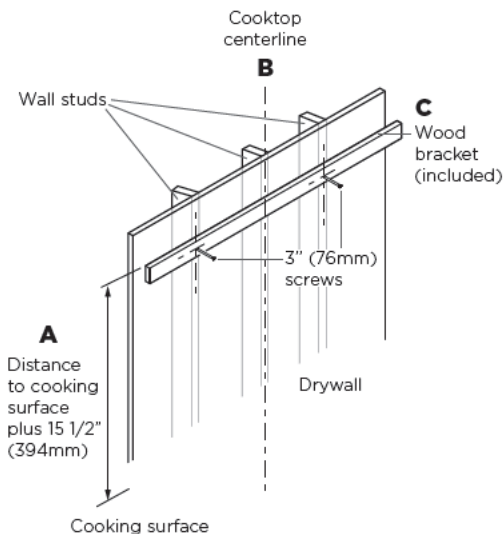


INSTALLATION INSTRUCTIONS

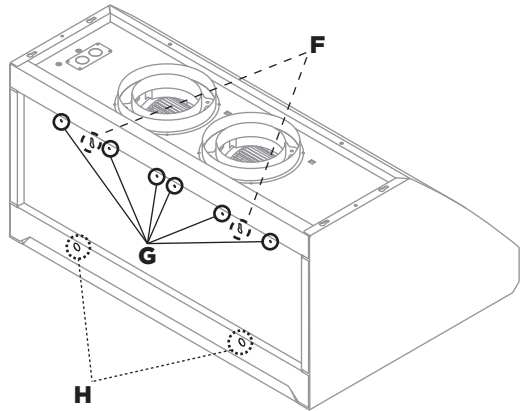
Wall mounting installation

After the range hood installation height has been determined:

- ① Draw a horizontal line at a distance above the cooktop equal to the desired range hood installation height plus 15 1/2" (394mm) (refer to **A**).
 - This line is the mounting location of the top of the wooden bracket supplied with the range hood.
- ② Find the centerline of the cooktop. Draw a vertical line along this centerline up to the horizontal line drawn in step ① (refer to **B**).
- ③ The range hood is mounted to the wall using a wooden bracket supplied with the range hood (refer to **D**). Remove the wooden bracket from the rear of the range hood. Mark the centerline of the bracket.
- ④ Find studs behind the drywall by using a stud finder. Locate one stud on either side of the cooktop centerline to use for mounting the wooden bracket (refer to **C**).
- ⑤ Align the top of the wood bracket along the horizontal line drawn in step ①. Align the centerlines of the bracket and cooktop (refer to **A**).
- ⑥ Drill a 3" (76mm) deep 1/8" (3mm) hole through the wooden bracket, drywall and into the stud.
- ⑦ Use the 3" (76mm) screws to attach the bracket to the wall (refer to **A**). For support of longer range hoods, use three or four studs and screws as available. Countersink the heads to prevent interference with the range hood.
- ⑧ On the wood bracket, mark the distance between wall mounting slots (**K** in the 'Product dimensions' section) to hang the range hood (refer to **E**).
- ⑨ Drill two 1/8" (3mm) holes through the wooden bracket and drywall (these do not need to go into the studs) (refer to **E**).
- ⑩ Screw two 3/4" (19mm) screws into the wood bracket, leaving 1/4" (6mm) of the screw exposed for hanging the range hood (refer to **E**).



- ⑪ Using two people lift and hang the range hood using the keyhole slots (refer to **F**). Make sure the wood bracket fits into the recess on the back of the range hood.
- ⑫ Level the range hood and tighten the 3/4" (19mm) screws in the keyhole slots.
- ⑬ From inside the range hood, drive four or six 3/4" (19mm) screws (depending on model) through the holes indicated (refer to **G**) into the wooden bracket.
- ⑭ Drill a 3/8" (9.5mm) hole through the center of the holes indicated in **H** into the wall. Insert two wall plugs into the drilled holes. Tighten the range hood to the wall plugs by installing the 3/4" (19mm) washers onto the screws supplied with the wall plug, then tighten.
- ⑮ Attach the duct to the 10" (254mm) transition or the 8" (203mm) duct rings and screws (not supplied) and seal with aluminum tape.



Note: For wall installations the optional duct transition should be fitted to the range hood prior to wall mounting. Please refer to 'Duct transition assembly' for details.

Cabinet mounting installation

The range hood can be installed under a cabinet by supporting the range hood from the top. For cabinet mounting installation the transition should be mounted after installing the range hood, see 'Duct transition assembly' and 'Product dimensions' sections. If the transition is used allowance needs to be made in the cabinetry back wall for easier ducting attachment and sealing.

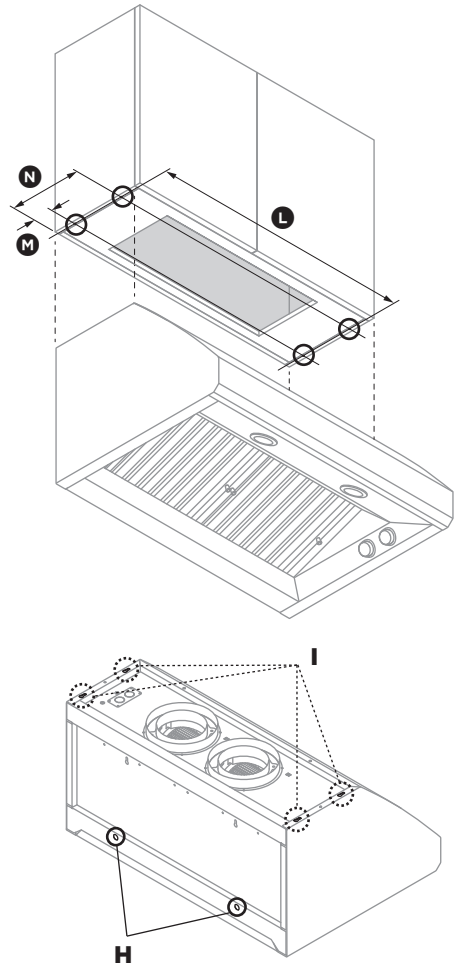
WARNING!

The cabinet must be of sufficient strength and structurally joined to the wall studs to support the weight of this range hood.

IMPORTANT!

It is recommended that the cabinet has a door or service panel that can be easily opened to access the power connection box.

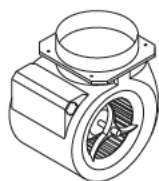
- 1 To determine the location for the four screws that will secure the range hood to the cabinet, refer to 'Product dimensions' for measurements of **L**, **M** and **N**.
- 2 Draw a line to mark distance **L** along the underside of your cabinet.
- 3 At either end of **L**, draw two lines, one at distance **M** from the wall, the other one at distance **N** from the wall. This will give you the 4 positions for the screw holes.
Note: Allow space for the power conduit, and ducting attachment in the cabinetry base.
- 4 In the base of the cabinet, drill 1/8" (3mm) holes as marked.
- 5 Screw four 3/4" (19mm) screws leaving 1/4" (6mm) of the screw exposed to hang the range hood on.
- 6 Using two people lift and hang the range hood from the screws through keyslots provided on range hood top (refer to **I**). Tighten the four screws.
- 7 Drill a 3/8" (9.5mm) hole through the center of the holes indicated in **H** into the wall. Insert two wall plug into the drilled holes. Tighten the range hood to the wall plugs by installing the 3/4" (19mm) washers onto the screws supplied with the wall plug, then tightening.
- 8 If using a optional duct transition, attach the 10" (254mm) transition now, see 'Duct transition assembly' section for details.
- 9 Attach the duct to the 10" (254mm) transition or 8" (203mm) duct rings with screws (not supplied) and seal with aluminum tape.



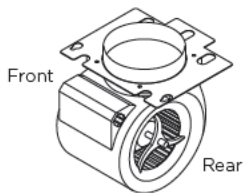
Internal blower installation (HCB30/36/48 range hood models only)

The internal blower can be mounted as shown below.

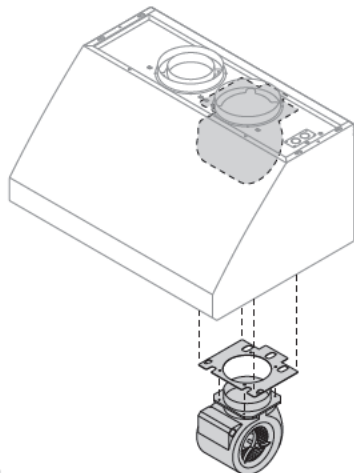
- ① From the inside of the range hood, loosen the 1/2" (12.7mm) screws securing the blower plate to the range hood.
- ② Slide the blower plate towards you and lower it out of the range hood.
- ③ Attach the blower plate to the blower using the 3/4" (19mm) screws provided.
- ④ Lift the blower into the range hood, fit the rear of the blower plate onto the mounting bracket.
- ⑤ Lift the front of blower upwards until the screws enter the keyhole slots on the blower plate.
- ⑥ Push the blower away from you (to the rear of the range hood) and tighten the 1/2" (12.7mm) screws to secure the blower to the range hood.



Blower without plate attached



Blower with plate attached



Inline blower connection (HC36 and HC48 range hood models only)

For inline blower installation see the instructions supplied with the inline blower unit.

INSTALLATION INSTRUCTIONS

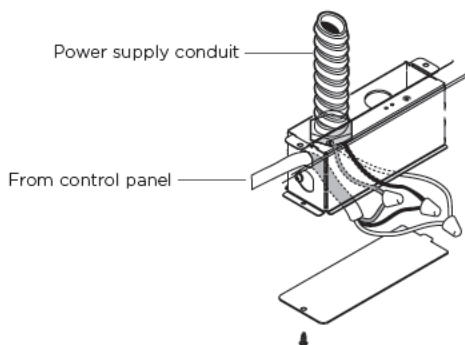
Electrical connection

WARNING!

- **Electrical wiring must be done by qualified person(s) in accordance with all applicable codes and standards and the unit must be grounded.**
- **Turn off electricity at the service panel before wiring the unit.**
- **A 120 volt, 60Hz AC-only electrical supply is required on a dedicated 20A branch circuit. A time-delay fuse or circuit breaker is recommended.**
- **Use only with range hood cord-connection kits that have been investigated and found acceptable for use with this model range hood.**

Range hood internal blower electrical connection (HCB30/36/48 models only)

- ① Connect the plug present inside the range hood to the internal blower.
- ② Remove the junction box cover as shown below.

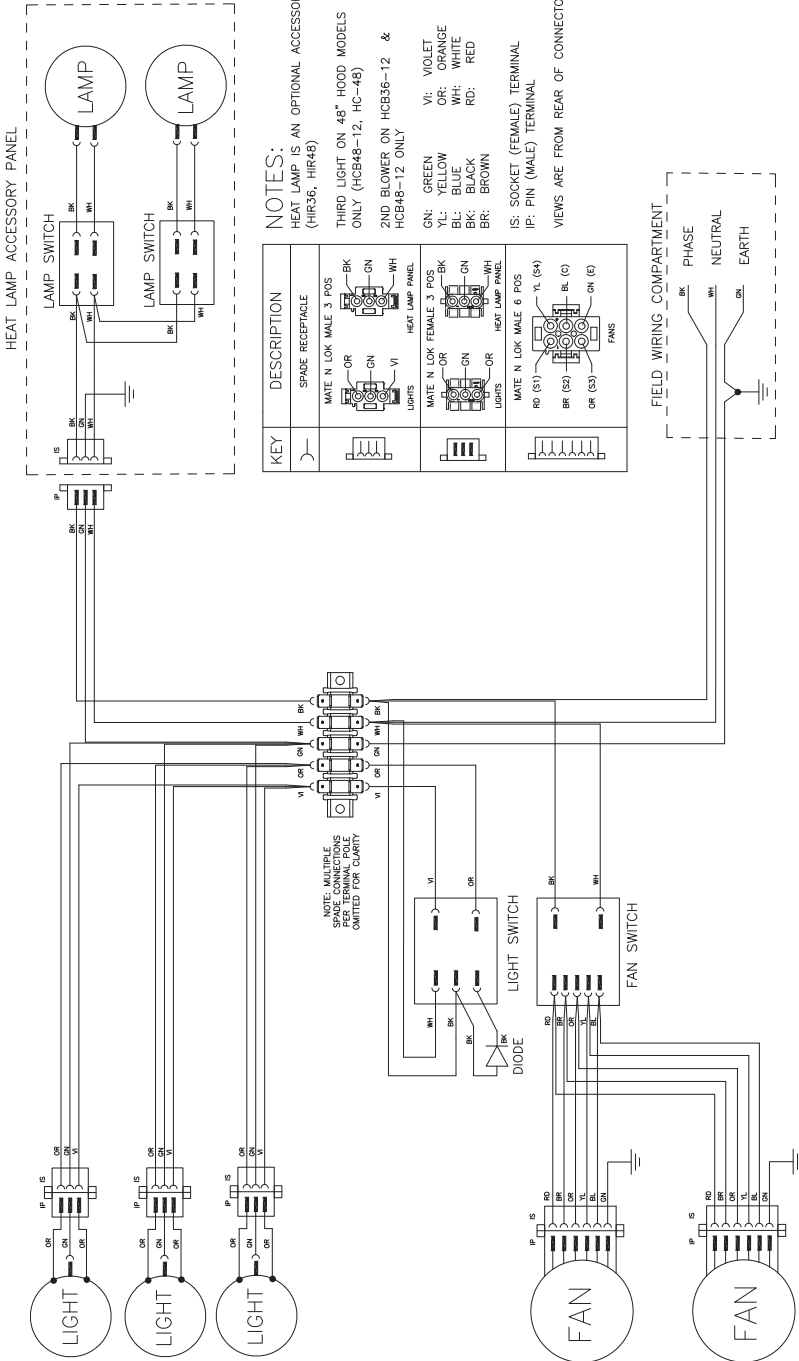


- ③ Remove knockouts as required and install a cULus listed 3/4" (19mm) wiring conduit and conduit connector or strain relief in the junction box.
- ④ Run three wires for the power supply through the 3/4" (19mm) strain relief or conduit from the power supply to junction box. Tighten the strain relief.
- ⑤ Connect the power supply wires to the range hood wires in the following order using cULus listed wire nuts:
 - black to black wire
 - white to white wire
 - green/yellow wire to green wire.
- ⑥ Close the range hood junction box cover.

Complete the installation

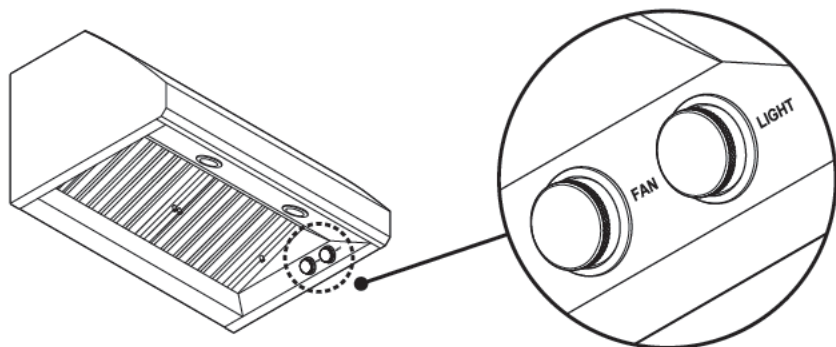
- ① Remove all protective wrapping from range hood.
- ② Install the filters and grease trays as described in the 'Cleaning and maintenance' section.
- ③ Turn the power on at the control panel.
- ④ Check the operation of the range hood as described in the 'Operating instructions' section.

Wiring diagram



OPERATING INSTRUCTIONS

Control panel



CONTROL PANEL FEATURES

Fan speed control

- Turn the range hood fan on or off.
- Turn to LOW, MED, HIGH or MAX as needed.
- **Always use the MAX setting when grilling.**

Light control

- Turn the range hood light on or off.
 - Adjust the light levels from LOW to HIGH.
-

General operating information

- The range hood should be turned on for a few minutes before cooking:
 - To establish air currents up-ward through the range hood.
 - Help remove hot air from your kitchen and keep the range hood surface cool. When heat, smoke, moisture, grease and cooking odors are produced, they will be carried outside instead of drifting into other rooms.

WARNING!

- Before servicing or cleaning your range hood, switch the power off at the control panel and disconnect the power to prevent the range hood from being switched on accidentally.
- Allow the appliance to cool after the power has been turned off before servicing.

IMPORTANT!

- Never use abrasive or oil based cleaners.
- Wear gloves to protect against sharp edges.

Cleaning**General cleaning**

To avoid the build-up of grease and damage to your range hood:

- Clean your range hood regularly using a mild, liquid detergent and a clean soft cloth.
- Do not use corrosive chemicals, abrasive cleaning products, citrus based cleaning products, hard brushes and steel wool pads.

Note: In areas of high humidity or coastal environments, cleaning should be carried out more frequently.

Filters and grease trays

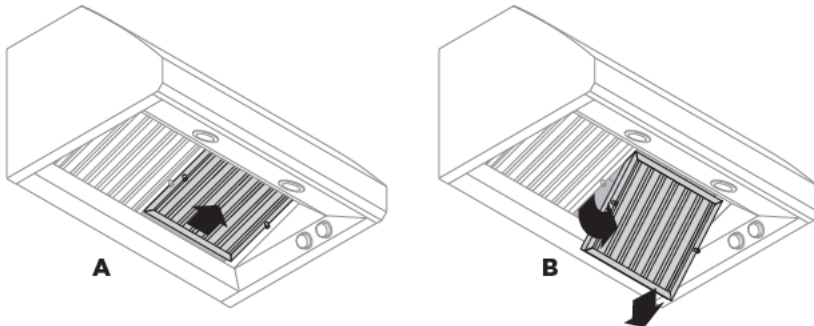
Filters and grease tray should be cleaned at least once a month:

- Filters and grease trays should be removed and cleaned with hot soapy water or in a dishwasher.
- If washed in a dishwasher, the filter and grease tray should be placed in an upright position.
- After cleaning and drying, refit the filters and grease trays.

The filters must **always** be in place when the range hood is in use, as they prevent damage to the inside of the range hood. Grease trays must be in place before installing the filters.

To remove the filters:

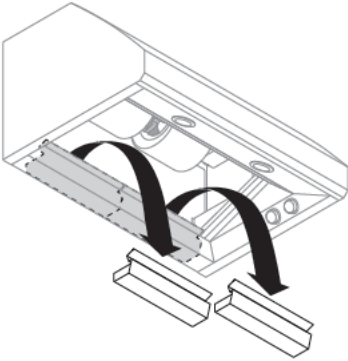
- ① Grasp the filter knobs, push up and pull towards you to allow the back of the filter to come free of the grease trays (refer to **A**).
- ② Lower the back of the filter down to disengage the filter from the front of the range hood (refer to **B**).



CLEANING AND MAINTENANCE

To remove the grease trays:

- ① Grasp the grease tray and push away from you. This will disengage the grease tray from the range hood.
- ② Lift the grease tray up and out of the range hood track.

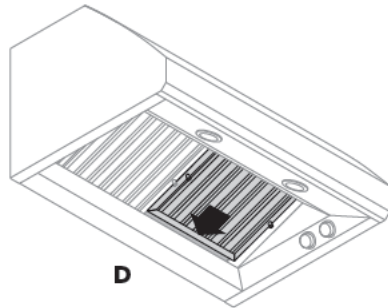
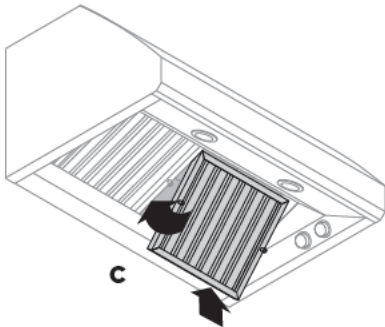


To replace the grease trays:

- ① Keep the back end of the grease tray tilted down as you insert it, lower the back of the grease tray into the range hood track.
- ② Ensure the bottom of the grease tray is seated flat in the range hood track.

To replace the filters:

- ① Hold the filter by the knobs.
- ② Insert the front of the filter into the front track of the range hood and slide toward you (refer to **C**).
- ③ Lift the back of the filter up and lower it into the grease tray.
- ④ Slide the filter back until it firmly seats into place (refer to **D**).



Light bulb replacement

IMPORTANT!

- **Wear gloves to protect against sharp edges.**
- **DO NOT TOUCH the light bulb when in use. They may be hot enough to cause injury.**

Note: Replacement bulbs are not covered by warranty.

To replace the light bulb:

- Turn off the range hood and allow the light bulb to cool.
- Disconnect the power.
- To remove the light bulb push up and twist counterclockwise.
- Replace with a new 120V, 50W maximum light bulb (or equivalent dimmable LED) light with a GU10 base.
- Repeat steps for the other light bulbs if needed.
- Reconnect power.
- If new lights do not operate, ensure the bulbs are inserted correctly before calling a service representative.

Replacing the infra-red heat lamp (optional accessory)

WARNING!

To avoid any electrical shock the installation of the infra-red heat lamp and panel kit should be done by a qualified electrician and before starting the installation of the range hood.

Optional infra-red heat lamp panel can be ordered separately and mounted into your range hood, see the 'Parts and accessories' section.

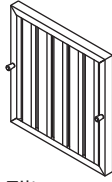
- Turn off the range hood and allow the infra-red heat lamp to cool.
- Disconnect the power.
- Remove the infra-red heat lamp bulb by twisting counter clockwise.
- Replace with a new 120V, 175W maximum infra-red bulb with a E26 screw in fitting.
- Repeat steps for the other lamp if needed.
- Reconnect power.
- If new lamps do not operate, ensure the bulbs are inserted correctly before calling a service representative.

PARTS AND ACCESSORIES

Parts



2 x Halogen light bulbs
120V 50W



Filters

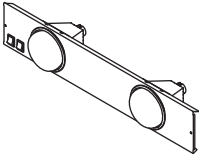
- 11 7/8" (301mm)
- 13 7/8" (352mm)



Infra-red heat lamp
120V 175W

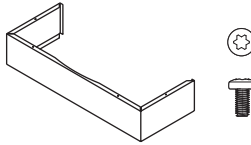
Note: Above are the commonly used spare parts. To purchase these and any other spare parts please refer to your country specific section in the separate service and warranty book.

Accessories



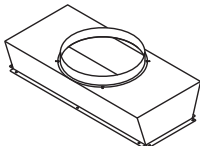
Heat lamp panel with
2x infra-red bulbs
(175W each) and
3/4" (19mm) screws (2)

- 36" heat lamp panel
(HIR36) (50080)
- 48" heat lamp panel
(HIR48) (50081)



Duct covers (stainless steel) including
5/16" (8mm) T20 (TORX) machine head screws (6)

- 30" Duct cover 6" (152mm) high (50092)
- 36" Duct cover 6" (152mm) high (50076)
- 48" Duct cover 6" (152mm) high (50078)
- 30" Duct cover 12" (305mm) high (50093)
- 36" Duct cover 12" (305mm) high (50077)
- 48" Duct cover 12" (305mm) high (50079)



Duct transition 10" (254mm)
outlet including 5/16" (8mm)
T20 (TORX) machine head
screws (12) (50129)

For details of your Manufacturer's Warranty and contacts for servicing, please refer to your separate service and warranty book provided with your range hood.

Complete and keep for safe reference:

Model _____

Serial No. _____

Purchase Date _____

Purchaser _____

Dealer _____

City _____

State _____

Zip _____

Country _____

Introduction	33
Consignes de sécurité et mises en garde	34
Informations sur le produit	36
Préparation pour l'installation	38
Instructions d'installation	46
Instructions d'utilisation	54
Nettoyage et entretien	55
Entretien	57
Pièces et accessoires	58
Service et garantie	59

IMPORTANT!

CONSERVEZ CES INSTRUCTIONS

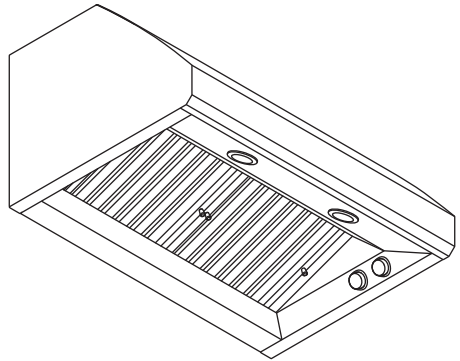
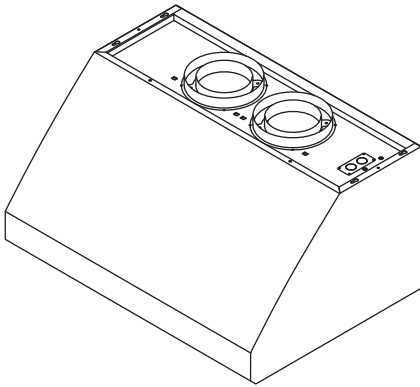
Les modèles illustrés dans ce guide d'utilisation peuvent ne pas être disponibles dans tous les pays et sont sujets à modifications sans préavis. Pour les plus récentes informations sur la disponibilité des modèles et des caractéristiques dans votre pays, veuillez visiter notre site Web fisherpaykel.com ou contacter votre détaillant Fisher & Paykel local.

Enregistrement

Enregistrez votre produit afin que nous puissions vous offrir un service de la meilleure qualité possible.

Pour enregistrer votre produit, visitez notre site Web : fisherpaykel.com

Bienvenue dans le monde des appareils Fisher & Paykel. Notre équipe a consacré des milliers d'heures à la conception, l'ingénierie et la mise à l'essai afin de vous offrir le produit idéal pour votre maison. Pour plus d'informations, visitez notre site Web; pour une assistance supplémentaire, communiquez avec notre équipe de service à la clientèle.



⚠ MISE EN GARDE!



Risque de poids excessif

L'appareil est lourd. Lors de l'installation de l'appareil, veuillez vous assurer de porter une attention appropriée afin d'éviter toute blessure. Poids des produits :

HCB30 = 66 lb (30 kg)

HCB36 = 75 lb (34 kg)

HCB48 = 99 lb (45 kg)

HC36 = 68 lb (31 kg)

HC48 = 84 lb (38 kg)

⚠ MISE EN GARDE!



Risque de choc électrique

Déconnectez toujours l'appareil de l'alimentation électrique avant de procéder à l'entretien ou à des réparations.

L'installation et le câblage électrique doivent être réalisés par une ou plusieurs personne(s) qualifiée(s), en conformité avec tous les codes et toutes les normes applicables, notamment en ce qui concerne les constructions ignifuges.

Le fait de ne pas respecter ces consignes peut causer la mort, un choc électrique, un incendie ou des blessures.

CONSIGNES DE SÉCURITÉ IMPORTANTES

VEUILLEZ LIRE TOUTES CES CONSIGNES AVANT D'INSTALLER OU UTILISER CET APPAREIL.

ATTENTION : Utiliser uniquement pour la ventilation générale. Ne pas utiliser pour l'évacuation de matières ou de vapeurs dangereuses ou explosives.

MISE EN GARDE : Pour réduire les risques d'incendie, de choc électrique ou de blessures, respectez ces consignes :

- Utilisez cet appareil uniquement de la manière prévue par le fabricant. Pour toute question, communiquez avec le fabricant. Pour une utilisation résidentielle uniquement.
- Avant de procéder à l'entretien ou au nettoyage de l'appareil, **interrompez l'alimentation** au panneau électrique et **verrouillez** le dispositif d'interruption de courant pour éviter que l'alimentation puisse être rétablie accidentellement. S'il n'est pas possible de verrouiller le dispositif d'interruption de courant, **apposez un avertissement bien visible** sur le panneau électrique, par exemple à l'aide d'une étiquette.
- L'installation et le câblage électrique doivent être réalisés par une ou plusieurs personne(s) qualifiée(s), en conformité avec tous les codes et toutes les normes applicables, notamment en ce qui concerne les constructions ignifuges.
- Pour éviter le **refoulement d'air**, une quantité d'air suffisante est nécessaire pour assurer une bonne combustion et l'évacuation des gaz à travers le

carneau (cheminée) de l'appareil. Suivez les consignes du fabricant de l'appareil de cuisson ainsi que les normes de sécurité comme celles publiées par la National Fire Protection Association (NFPA) et la American Society for Heating, Refrigeration and Air Conditioning Engineers (ASHRAE), ainsi que les normes locales.

- Au moment de couper ou percer le mur ou le plafond, veillez à ne pas endommager le câblage électrique ou les conduites qui y sont dissimulés.
- Les ventilateurs avec conduits doivent **toujours évacuer l'air vers l'extérieur**.
- Cet appareil doit être mis à la terre.

ATTENTION : Pour réduire les risques d'incendie et évacuer l'air adéquatement, assurez-vous d'évacuer l'air vers l'extérieur. N'évacuez pas l'air dans les murs, plafonds, greniers, vides sanitaires ou garages.

MISE EN GARDE : Pour réduire les risques d'incendie, utilisez uniquement des conduits en métal.

MISE EN GARDE : Pour réduire les risques d'incendie ou de choc électrique, n'utilisez pas ce ventilateur avec un dispositif de contrôle de vitesse à semi-conducteurs.

MISE EN GARDE : Pour réduire les risques de feu de graisse sur la cuisinière :

- **Ne laissez jamais les éléments de surface sans surveillance lors de l'utilisation de réglages élevés.** Les débordements produisent de la fumée et des déversements de matières grasses qui peuvent s'enflammer.
- **Chauffez les huiles lentement, à feu doux ou moyen.**
- **Allumez toujours la hotte lorsque vous cuisinez à feu vif ou faites flamber des aliments** (par ex. : crêpes Suzette, cerise jubilé, steak au poivre flambé).
- **Nettoyez fréquemment les ventilateurs.** Ne laissez jamais la graisse s'accumuler sur le ventilateur ou le filtre.
- **Utilisez des récipients de taille appropriée. Utilisez toujours des plats de cuisson adaptés à la taille de l'élément de surface.**

MISE EN GARDE : Pour réduire les risques de blessures en cas de feu de graisse sur la cuisinière, respectez ces consignes* :

- **Étouffez les flammes** avec un couvercle hermétique, une plaque à biscuits ou un plateau métallique, puis éteignez le brûleur. **Faites attention de ne pas vous brûler.** Si les flammes ne s'éteignent pas immédiatement, évacuez la pièce et appelez le service d'incendie.
- **Ne prenez jamais un récipient qui est en flammes** - vous pourriez vous brûler.
- **N'utilisez pas de l'eau, ni de linges ou serviettes humides, car cela pourrait causer une violente explosion de vapeur.**
- Utilisez un extincteur uniquement si :
 - Vous savez qu'il s'agit d'un extincteur de classe ABC et vous savez vous en servir.
 - Le feu est peu important et localisé dans la zone où il a commencé.
 - Vous avez appelé le service d'incendie.
 - Vous pouvez combattre le feu en ayant le dos tourné vers une sortie.

MISE EN GARDE : Toutes les ouvertures dans le mur et le plancher doivent être scellées aux endroits où la hotte est installée.

LISEZ ET CONSERVEZ CES INSTRUCTIONS

* Tirés des conseils sur la sécurité en matière d'incendie de cuisine de la NFPA.

Informations générales

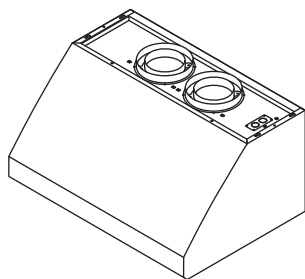
Veillez lire attentivement ce manuel et conservez-le après l'installation pour obtenir des réponses aux questions qui peuvent survenir pendant l'utilisation de votre nouvelle hotte Fisher & Paykel.

Conservez tous les matériaux d'emballage (boîte, palette, sangles) jusqu'à ce que vous terminiez l'inspection de l'appareil. Inspectez le produit pour vérifier qu'aucun dommage n'a été causé lors de l'expédition. En cas de dommages, communiquez avec le détaillant qui vous a vendu le produit pour signaler les dommages. Fisher & Paykel n'est pas responsable des dommages causés lors de l'expédition.

MISE EN GARDE!

Pour une utilisation résidentielle uniquement.

Pièces incluses avec votre hotte :



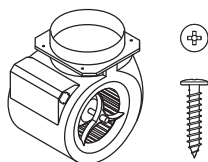
Hotte avec ampoules et anneaux de raccordement de conduit de 8 po (203 mm) installés (1)



Guide d'utilisation (1)

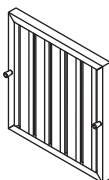


Cheville murale (2)



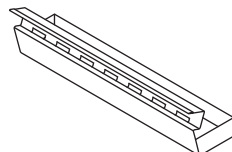
Ventilateur interne, incluant les vis de 3/4 po (19 mm) (4)

- HCB30-6 (1)
- HCB36-6 (1)
- HCB36-12 (2)
- HCB48-12 (2)
- HC36/48 (0)



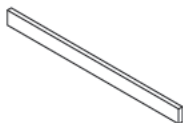
Filtres

- HCB30 (2)
- HCB36/HC36 (2)
- HCB48/HC48 (3)



Plateaux à graisse

- HCB30 (2)
- HCB36/HC36 (2)
- HCB48/HC48 (3)



Support en bois (longueur variant selon le modèle) monté à l'arrière de la hotte. Utilisé au cours de l'installation **NE PAS JETER**



Vis autotaraudeuse de 3 po (76 mm) (4)



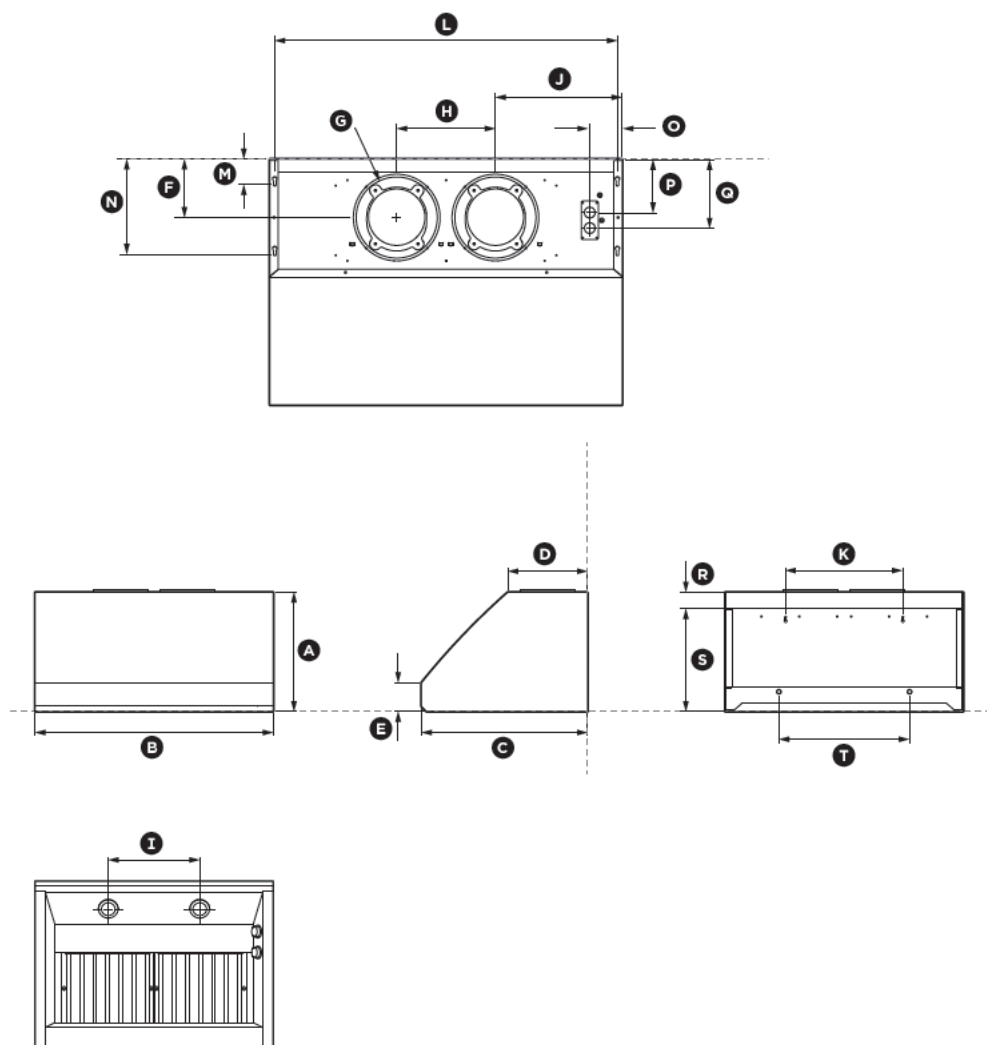
Vis autotaraudeuse de 3/4 po (19 mm) (8)



Rondelle plate de 3/4 po (19 mm) (2)

- Autres matériaux et outils requis :**
- Conduit en métal.
 - Ruban d'aluminium (NE PAS utiliser de ruban adhésif en toile).
 - Conduit de câblage et raccords de 3/4 po (19 mm) approuvés cULus.
 - Serre-câble de 3/4 po (19 mm) approuvé cULus.
 - Capuchons de connexion homologués cULus.
 - Clapet(s) anti-refoulement d'air, si nécessaire(s).

Dimensions du produit



DIMENSIONS DU PRODUIT	HCB30-6	HCB36-6	HCB36-12 HC36	HCB48-12 HC48
	pouces (mm)	pouces (mm)	pouces (mm)	pouces (mm)
(A) Hauteur hors tout du produit	18 po (457)	18 po (457)	18 po (457)	18 po (457)
(B) Largeur hors tout du produit	29 7/8 po (759)	35 7/8 po (911)	35 7/8 po (911)	47 7/8 po (1 216)
(C) Profondeur hors tout du produit	25 1/16 po (636)	25 1/16 po (636)	25 1/16 po (636)	25 1/16 po (636)
(D) Profondeur de la face supérieure du produit	12 po (305)	12 po (305)	12 po (305)	12 po (305)
(E) Hauteur de la face avant	4 5/16 po (110)	4 5/16 po (110)	4 5/16 po (110)	4 5/16 po (110)
(F) Distance entre le centre de la sortie de conduit et l'arrière du produit	5 7/8 po (150)	5 7/8 po (150)	5 7/8 po (150)	5 7/8 po (150)
(G) Diamètre de la sortie de conduit	8 3/16 po (208)	8 3/16 po (208)	8 3/16 po (208)	8 3/16 po (208)
(H) Distance entre le centre des ventilateurs	n.d.	n.d.	10 1/16 po (255)	10 1/16 po (255)
(I) Distance entre le centre des lampes	12 po (305)	13 3/4 po (350)	13 3/4 po (350)	12 po (305)
(J) Distance entre le centre du ventilateur et le côté de la hotte	14 15/16 po (380)	17 15/16 po (456)	12 15/16 po (328)	18 7/8 po (480)
(K) Distance entre les fentes de montage au mur	17 5/8 po (448)	17 5/8 po (448)	17 5/8 po (448)	17 5/8 po (448)
(L) Distance entre les fentes de montage sous l'armoire	28 7/8 po (734)	34 7/8 po (886)	34 7/8 po (886)	46 7/8 po (1 191)
(M) Distance entre le mur et les fentes arrière de montage sous l'armoire	2 5/8 po (66)	2 5/8 po (66)	2 5/8 po (66)	2 5/8 po (66)
(N) Distance entre le mur et les fentes avant de montage sous l'armoire	9 11/16 po (246)	9 11/16 po (246)	9 11/16 po (246)	9 11/16 po (246)
(O) Distance entre le côté de la hotte et l'alvéole défonçable de la boîte de jonction	3 7/8 po (98)	3 5/16 po (84)	3 5/16 po (84)	6 1/16 po (154)
(P) Distance entre l'arrière et l'alvéole défonçable arrière de la boîte de jonction	5 7/16 po (138)	5 7/16 po (138)	5 7/16 po (138)	5 7/16 po (138)
(Q) Distance entre l'arrière et l'alvéole défonçable avant de la boîte de jonction	7 po (178)	7 po (178)	7 po (178)	7 po (178)
(R) Hauteur entre le dessus de la hotte et la cavité à l'arrière	2 1/2 po (63)	2 1/2 po (63)	2 1/2 po (63)	2 1/2 po (63)
(S) Hauteur entre le dessous de la hotte et le dessus de la cavité à l'arrière	15 1/2 po (394)	15 1/2 po (394)	15 1/2 po (394)	15 1/2 po (394)
(T) Distance entre les trous de montage de cheville murale	17 5/8 po (448)	17 5/8 po (448)	17 5/8 po (448)	17 5/8 po (448)

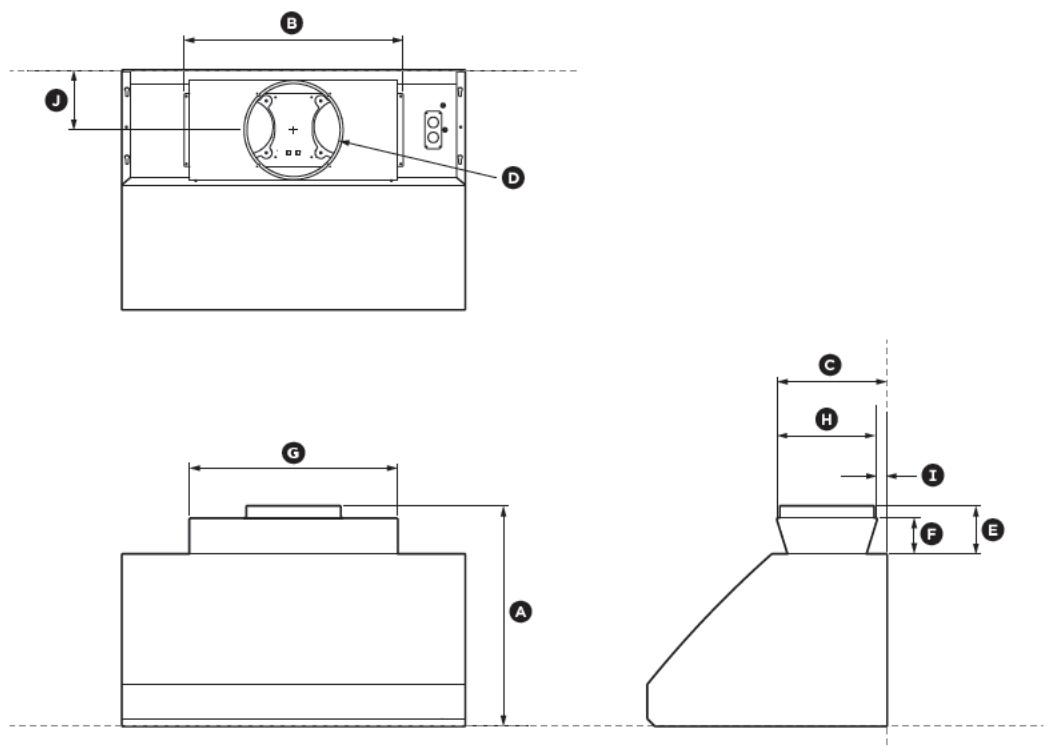
IMPORTANT!

- Les dimensions réelles du produit peuvent varier de $\pm 1/16$ po (2 mm).
- Veuillez lire toutes les instructions avant d'installer la hotte.

PRÉPARATION POUR L'INSTALLATION

Dimensions du produit

Différences lorsqu'une transition de conduit de 10 po est ajoutée au modèle HCB36-12, HCB48-12, HC36 ou HC48



DIMENSIONS DU PRODUIT	pouces (mm)
Ⓐ Hauteur hors tout du produit avec transition de conduit ajoutée	23 po (585)
Ⓑ Largeur hors tout de la transition de conduit	22 13/16 po (580)
Ⓒ Profondeur hors tout de la transition de conduit jusqu'au mur	11 po (280)
Ⓓ Diamètre de sortie	10 po (254)
Ⓔ Hauteur du tuyau de sortie de transition au-dessus de la hotte	5 po (128)
Ⓕ Hauteur du corps de transition au-dessus de la hotte	3 3/4 po (95)
Ⓖ Largeur du corps de transition	21 3/4 po (552)
Ⓗ Profondeur du corps de transition	10 1/16 po (256)
Ⓘ Distance entre le rebord arrière de la surface de cuisson et le corps de transition	1 1/16 po (26)
Ⓙ Distance entre le centre de la sortie et le mur	6 1/4 po (159)

IMPORTANT!

- Les dimensions réelles du produit peuvent varier de $\pm 1/16$ po (2 mm).
- Veuillez lire toutes les instructions avant d'installer la hotte.

PRÉPARATION POUR L'INSTALLATION

Largeur de la hotte

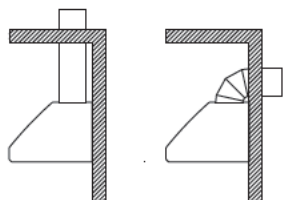
- Il est recommandé de choisir une hotte dont la largeur n'est pas inférieure à la largeur de la surface de cuisson.
- Une hotte plus large peut être utilisée pour augmenter la zone d'aspiration si l'espace n'est pas restreint.
- Pour assurer un rendement adéquat, la hotte doit idéalement être centrée au-dessus de la surface de cuisson.

Déterminez l'emplacement d'installation

MISE EN GARDE!

- **Pour réduire les risques d'incendie, utilisez uniquement des conduits en métal.**
- **N'utilisez pas de conduits flexibles.**

Cette hotte peut être installée à l'aide d'un système de montage au mur ou suspendue sous une armoire. Le conduit peut être configuré pour une évacuation tant à la verticale qu'à l'horizontale. Le conduit peut se terminer au travers du toit ou du mur. Un coude à 90° est requis pour l'évacuation au travers du mur.



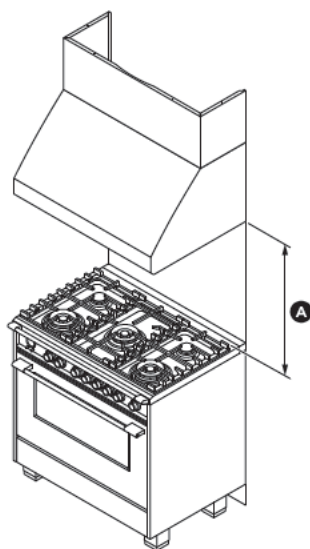
Hauteur de la hotte

La hauteur d'installation varie d'une hauteur minimale de 30 po (762 mm) à une hauteur recommandée maximale de 42 po (1 067 mm). Consultez les instructions d'installation et le guide d'utilisation de la surface de cuisson pour obtenir plus de détails sur la hauteur d'installation requise de la hotte.

Cette hotte ne doit pas être installée à une hauteur inférieure à la hauteur minimale indiquée dans le tableau ci-dessous. La hauteur d'installation minimale peut être supérieure, si cela est requis par le fabricant de la surface de cuisson. L'installation à la hauteur minimale améliore l'efficacité de l'appareil pour l'élimination des odeurs, de la graisse et de la fumée de cuisson. L'installation à la hauteur recommandée maximale améliore l'utilisation ergonomique en offrant un plus grand espace de dégagement.

IMPORTANT!

- **Allumez toujours votre hotte dès le commencement de la cuisson.**
- **Les surfaces de la hotte peuvent devenir très chaudes avec l'utilisation d'une cuisinière à gaz puissante ou lorsque plusieurs brûleurs sont allumés simultanément.**
 - Utilisez la vitesse maximale de ventilation pour permettre l'extraction rapide de l'air chaud lors de la cuisson à haute température.
 - Il est recommandé d'installer la hotte à la hauteur maximale. Consultez les guides d'installation et d'utilisation de la table de cuisson pour plus de détails sur la hauteur recommandée d'installation de la hotte.



DIMENSIONS D'INSTALLATION

pouces (mm)

(A) Du dessus de la surface de cuisson à la base de la hotte

Distance minimale de 30 po (762 mm)
Distance recommandée maximale de 42 po (1 067 mm)

Calcul de la hauteur d'installation

La hauteur d'installation pour un plafond de cuisine standard d'une hauteur de 96 po (2 438 mm) est indiquée ci-dessous.

Utilisez la formule suivante pour calculer la hauteur d'installation :

$$A = W - (X + Y + Z)$$

Où :

A = Hauteur d'installation

W= Hauteur du plafond

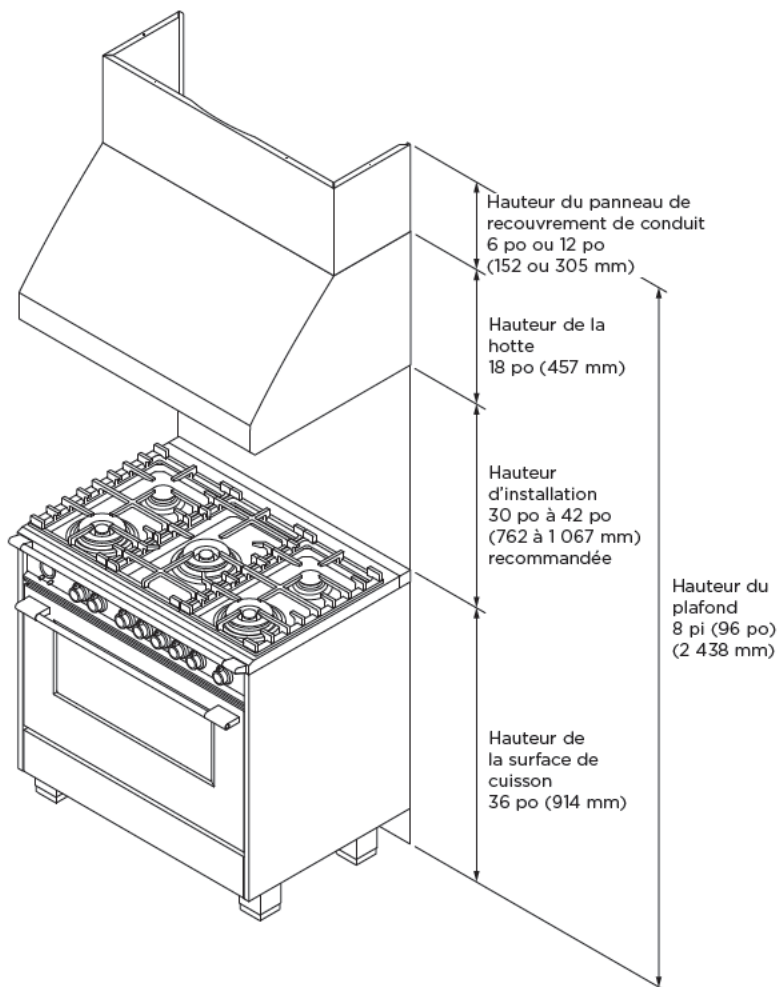
X = Hauteur de la surface de cuisson

Y = Hauteur de la hotte

Z = Hauteur du panneau de recouvrement de conduit (si nécessaire)

Exemple : (A) Hauteur d'installation = 96 po - (36 po + 18 po + 12 po) = 30 po

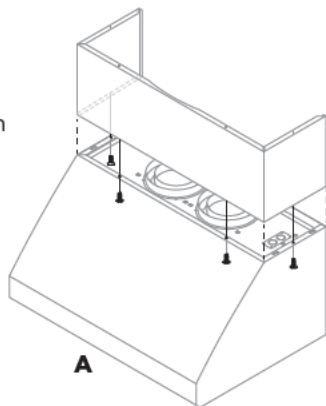
Exemple : (A) Hauteur d'installation = 2 438 mm - (914 mm + 457 mm + 305 mm) = 762 mm



Éléments supplémentaires en option

Panneaux de recouvrement de conduit

Des panneaux de recouvrement de conduit peuvent être utilisés pour combler l'espace entre la hotte et le plafond dans les installations avec montage au mur. Disponibles en formats 6 po (152 mm) et 12 po (305 mm), ces panneaux de recouvrement peuvent être commandés séparément; consultez 'Pièces et accessoires'. Reportez-vous aux 'Instructions d'installation' pour effectuer le calcul de la hauteur d'installation afin d'identifier le(s) panneau(x) de recouvrement de conduit pouvant être requis.



Installation du panneau de recouvrement de conduit

- ① Placez le panneau de recouvrement de conduit sur la hotte.
- ② Depuis l'intérieur de la hotte, insérez les vis à métaux T20 (TORX) de 5/16 po (8 mm) dans les 4 trous du panneau de recouvrement de conduit (reportez-vous à **A**).

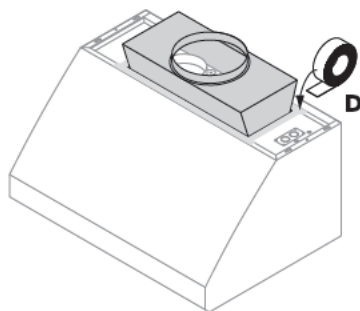
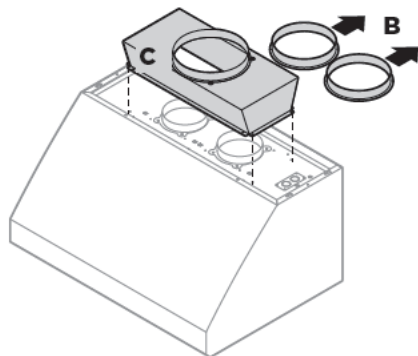
Remarque : Il est possible d'utiliser plusieurs panneaux de recouvrement de conduit si une hauteur supplémentaire est requise. Les panneaux de recouvrement de conduit sont disponibles en formats 6 po (152 mm) et 12 po (305 mm). Vissez ensemble les panneaux de recouvrement de conduit avant de les placer sur la hotte et de terminer l'étape ②.

Transition de conduit

- La hotte est fournie avec des anneaux individuels de raccordement de conduit, permettant le raccordement à un conduit de 8 po (208 mm) (reportez-vous à **B**).
- Une transition optionnelle peut être commandée séparément; veuillez vous reporter à 'Pièces et accessoires' pour plus de détails. Cette transition peut être fixée à la partie supérieure de la hotte pour l'obtention d'une seule sortie de 10 po (254 mm).
- Pour une installation avec montage au mur, la transition doit être installée **avant** le montage de la hotte.
- Pour une installation avec montage sous l'armoire, la transition doit être installée **après** le montage de la hotte.

Assemblage de la transition de conduit

- ① Retirez les anneaux individuels de raccordement de conduit de 8 po (203 mm) (reportez-vous à **B**).
- ② Placez la pièce de transition au-dessus de l'évacuation de la hotte, puis fixez-la depuis l'intérieur avec la vis à métaux T20 (TORX) de 5/16 po (8 mm) fournie avec la transition (reportez-vous à **C**).
- ③ Scellez le raccordement entre la transition et la hotte à l'aide de ruban d'aluminium (reportez-vous à **D**).



Ensemble de panneau et lampe infrarouge

Si vous avez fait l'acquisition d'un ensemble de lampe infrarouge en option pour l'installation avec la hotte, assemblez l'ensemble avec la hotte avant l'installation. Consultez les instructions fournies avec l'ensemble pour l'assemblage avec votre hotte.

MISE EN GARDE!

Pour éviter toute électrocution, faites installer l'ensemble de panneau et lampe infrarouge par un électricien qualifié avant de commencer l'installation de la hotte.

Exigences électriques

MISE EN GARDE!

- **L'installation et le câblage électrique doivent être réalisés par une ou plusieurs personne(s) qualifiée(s), en conformité avec tous les codes et toutes les normes applicables.**
- **Cet appareil doit être mis à la terre.**
- Cette hotte doit être raccordée uniquement à l'aide de fil de cuivre.
- Cet appareil ne doit être utilisé qu'avec une alimentation électrique de 120 V CA/60Hz, sur un circuit de dérivation dédié de 20 A. Nous vous recommandons d'utiliser un fusible à fusion lente ou un disjoncteur.
- Les calibres de fil doivent être conformes aux exigences de la norme ANSI/NFPA 70 de la dernière édition du Code national de l'électricité, ainsi qu'à tous les codes et règlements locaux en vigueur.
- Le calibre de fil et les raccordements doivent être conformes aux caractéristiques de cet appareil.
- Cet appareil doit être raccordé directement au sectionneur à fusibles (ou au disjoncteur) au moyen d'un câble de cuivre flexible à armature ou gaine non métallique. Prévoyez une longueur de câble suffisante pour qu'il soit possible de déplacer l'appareil en cas de réparation.
- Un serre-câble homologué cULus ou un raccord de conduit de 3/4 po (19 mm) doit être utilisé à chaque extrémité du câble d'alimentation électrique (au niveau de l'appareil et de la boîte de jonction).

MISE EN GARDE!

Pour réduire les risques d'incendie ou de choc électrique, n'utilisez pas ce ventilateur avec un dispositif de contrôle de vitesse à semi-conducteurs.

Exigences relatives à l'évacuation

ATTENTION!

Pour réduire les risques d'incendie et évacuer l'air adéquatement, assurez-vous d'évacuer l'air vers l'extérieur - N'évacuez pas l'air dans les murs, plafonds, greniers, vides sanitaires ou garages.

- La hotte peut être installée de manière à fonctionner en évacuant l'air à l'extérieur de la cuisine.
- Pour une efficacité optimale, utilisez le trajet de conduit le plus court et le plus droit possible. Les coudes et transitions augmentent le niveau de bruit et réduisent l'efficacité du débit d'air.
- Pour de meilleurs résultats :
 - Dans les installations de conduit avec ventilateurs internes, utilisez un conduit circulaire de 8 po (203 mm).
 - Pour les ventilateurs en ligne, utilisez un conduit circulaire de 10 po (254 mm).

Remarque : Cette hotte ne peut pas être utilisée conjointement avec une unité de recirculation.

Source d'air d'appoint (non incluse)

Veillez porter une attention particulière à assurer la conformité à toutes les réglementations relatives à l'évacuation de l'air.

- Les codes locaux du bâtiment peuvent exiger l'utilisation de systèmes d'air d'appoint lors de l'utilisation de systèmes de ventilation par conduit dont la circulation d'air est supérieure à la valeur de pied cube par minute (pi^3/min) spécifiée. La valeur pi^3/min varie d'un endroit à l'autre.
- Le propriétaire et l'installateur ont la responsabilité de déterminer si des exigences et/ou normes supplémentaires s'appliquent aux installations spécifiques.

Ventilateurs compatibles

Cette hotte peut être utilisée uniquement avec ces ventilateurs internes ou en ligne :

- Des ventilateurs internes sont fournis avec la hotte (pour les modèles HCB30/36/48).
- Des ventilateurs en ligne peuvent être achetés séparément (pour les modèles HC36/48). Cette hotte peut être utilisée uniquement avec un ventilateur en ligne approuvé par Fisher & Paykel.

Pour minimiser le bruit dans la cuisine, ces ventilateurs sont installés le long du conduit, à un endroit quelconque entre la cuisine et le mur extérieur.

ATTENTION!

Pour réduire les risques d'incendie et de choc électrique, installez cette hotte uniquement avec des modèles de ventilateurs à distance d'un maximum de 7,6 A ou avec les ventilateurs intégrés fournis avec la hotte.

MISE EN GARDE!

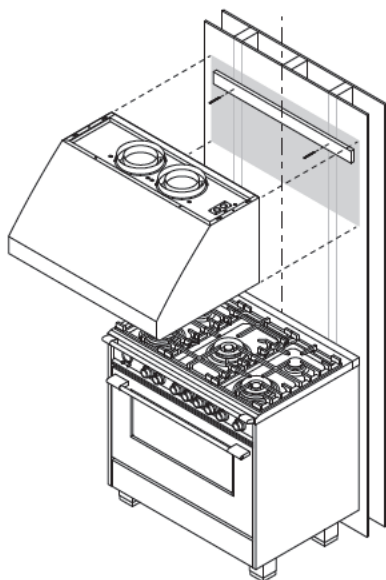
- Cet appareil est lourd. Il doit être déballé et installé par deux personnes.
- L'installation et le câblage électrique doivent être réalisés par une ou plusieurs personne(s) qualifiée(s), en conformité avec tous les codes et toutes les normes applicables.
- Le fait de ne pas installer les vis ou le dispositif de fixation conformément à ces instructions peut entraîner des risques de choc électrique.
- Au moment de couper ou percer le mur ou le plafond, veillez à ne pas endommager le câblage électrique ou les conduites qui y sont dissimulés.

IMPORTANT!

- Portez des gants pour vous protéger des rebords tranchants.
- Le fabricant n'est pas responsable des dommages résultant du non-respect de ces instructions.

Avant de commencer l'installation

- Assurez-vous de lire la section 'Préparation pour l'installation' de ce guide.
- Lisez attentivement les instructions d'installation.
- Déballez la hotte.
- Assurez-vous que la tension (V) et la fréquence (Hz) indiquées sur la plaque signalétique correspondent à la tension et la fréquence sur le site d'installation.
- Vérifiez que la zone au-dessus ou à l'arrière de la surface d'installation ne comporte aucun câble électrique ou tuyau et que l'espace est suffisant pour l'installation du conduit.
- Les surfaces de la hotte peuvent être endommagées pendant l'installation en cas de frottement ou contact avec un outil.
- Protégez la surface de cuisson pour éviter de l'endommager pendant l'installation de la hotte.
- Retirez les enveloppes de protection qui ne seront pas accessibles après l'installation.
- Le mur ou l'armoire servant à installer la hotte doit être suffisamment solide et comporter une surface plane.

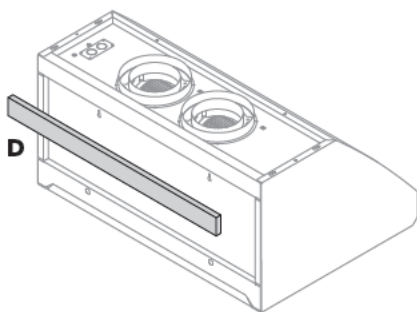
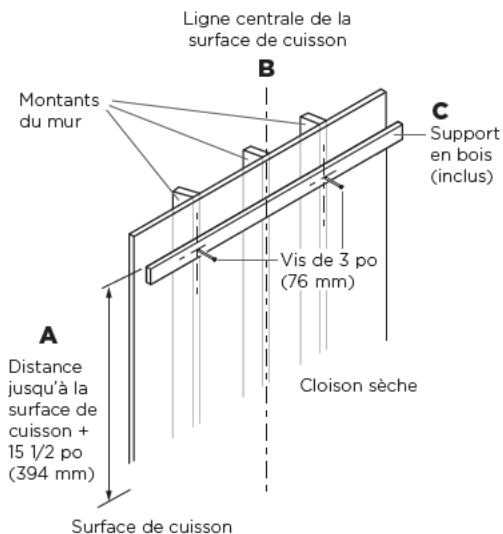


INSTRUCTIONS D'INSTALLATION

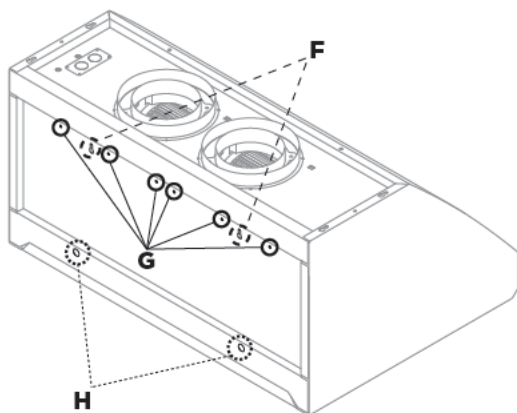
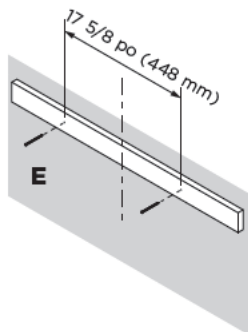
Installation avec montage au mur

Après avoir déterminé la hauteur d'installation de la hotte :

- 1 Au-dessus de la surface de cuisson, tracez une ligne horizontale à une distance correspondant à la hauteur d'installation souhaitée pour la hotte, à laquelle vous ajoutez 15 1/2 po (394 mm) (reportez-vous à **A**).
 - Cette ligne est l'emplacement de montage pour la partie supérieure du support en bois fourni avec la hotte.
- 2 Localisez la ligne centrale de la surface de cuisson. Tracez une ligne verticale le long de cette ligne centrale, jusqu'à la ligne horizontale tracée à l'étape 1 (reportez-vous à **B**).
- 3 La hotte est montée au mur à l'aide d'un support en bois fourni avec la hotte (reportez-vous à **D**). Retirez le support en bois de la partie arrière de la hotte. Marquez la ligne centrale du support.
- 4 Localisez les montants derrière la cloison sèche en utilisant un détecteur de montant. Localisez un montant d'un côté ou l'autre de la ligne centrale de la surface de cuisson afin de l'utiliser pour le montage du support en bois (reportez-vous à **C**).
- 5 Alignez le dessus du support en bois le long de la ligne horizontale tracée à l'étape 1. Alignez les lignes centrales du support et de la surface de cuisson (reportez-vous à **A**).
- 6 Percez un trou de 1/8 po (3 mm) d'une profondeur de 3 po (76 mm) dans le support en bois, la cloison sèche et le montant.
- 7 Utilisez les vis de 3 po (76 mm) pour fixer le support au mur (reportez-vous à **A**). Pour soutenir des hottes de plus grande taille, utilisez trois ou quatre vis et montants, si disponibles. Encastrez les têtes de vis pour éviter tout contact avec la hotte.



- ⑧ Sur le support en bois, marquez la distance entre les fentes de montage au mur (ⓐ dans la section 'Dimensions du produit') permettant de suspendre la hotte (reportez-vous à **E**).
- ⑨ Percez deux trous de 1/8 po (3 mm) dans le support en bois et la cloison sèche (il n'est pas nécessaire de percer les montants) (reportez-vous à **E**).
- ⑩ Vissez deux vis de 3/4 po (19 mm) dans le support en bois, en laissant dépasser 1/4 po (6 mm) de la vis pour suspendre la hotte (reportez-vous à **E**).
- ⑪ Avec l'aide d'une deuxième personne, soulevez et suspendez la hotte en utilisant les fentes avec encoche en trou de serrure (reportez-vous à **F**). Assurez-vous que le support en bois s'insère dans la cavité à l'arrière de la hotte.
- ⑫ Mettez de niveau la hotte et serrez les vis de 3/4 po (19 mm) dans les fentes avec encoche en trou de serrure.
- ⑬ Depuis l'intérieur de la hotte, vissez quatre ou six vis de 3/4 po (19 mm) (selon le modèle) dans les trous indiqués (reportez-vous à **G**) dans le support en bois.
- ⑭ Percez dans le mur un trou de 3/8 po (9,5 mm) au centre des trous indiqués dans **H**. Insérez deux chevilles murales dans les trous percés. Fixez la hotte aux chevilles murales en installant les rondelles de 3/4 po (19 mm) sur les vis fournies avec les chevilles murales, pour ensuite les serrer.
- ⑮ Fixez le conduit à la transition de 10 po (254 mm) ou aux anneaux de conduit de 8 po (203 mm) avec les vis (non fournies), puis scellez à l'aide de ruban d'aluminium.



Remarque : Pour les installations au mur, la transition de conduit optionnelle doit être fixée à la hotte avant le montage au mur. Veuillez vous reporter à 'Assemblage de la transition de conduit' pour plus de détails.

INSTRUCTIONS D'INSTALLATION

Installation avec montage à l'armoire

Vous pouvez installer la hotte sous une armoire en la fixant par la partie supérieure. Pour l'installation avec montage à l'armoire, la transition doit être fixée après l'installation de la hotte; consultez les sections 'Assemblage de la transition de conduit' et 'Dimensions du produit'. Si la transition est utilisée, vous devez prévoir de l'espace dans le mur arrière de l'armoire pour faciliter la fixation et le scellement du conduit.

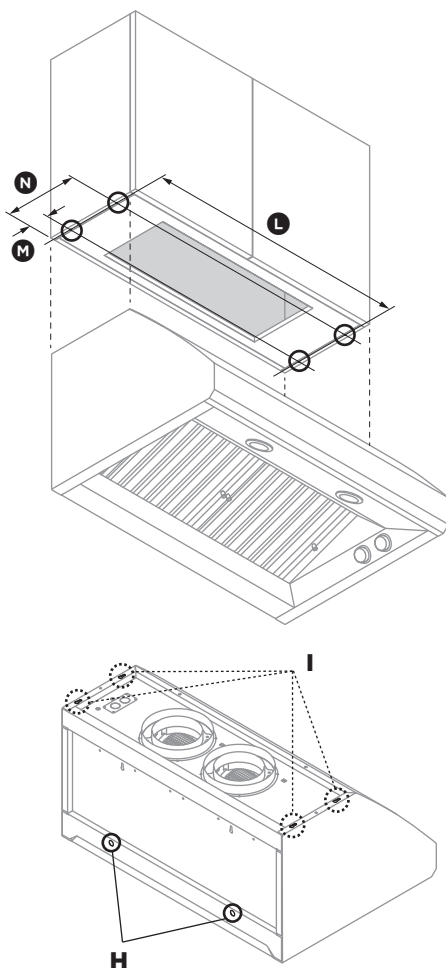
MISE EN GARDE!

L'armoire doit être suffisamment solide et reliée structurellement aux montants du mur pour supporter le poids de cette hotte.

IMPORTANT!

Il est recommandé que l'armoire possède une porte ou un panneau pouvant s'ouvrir facilement pour donner accès au boîtier de raccordement d'alimentation.

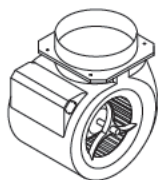
- ① Pour déterminer l'emplacement des quatre vis qui serviront à fixer la hotte à l'armoire, reportez-vous à 'Dimensions du produit' pour les mesures de **L**, **M** et **N**.
- ② Tracez une ligne pour marquer la distance **L** le long du dessous de votre armoire.
- ③ À une extrémité ou l'autre de **L**, tracez deux lignes, l'une à la distance **M** à partir du mur, l'autre à la distance **N** à partir du mur. Cela vous donnera les 4 positions pour les trous de vis.
Remarque : Laissez un espace pour le conduit d'alimentation électrique et la fixation du conduit dans la base de l'armoire.
- ④ Dans la base de l'armoire, percez des trous de 1/8 po (3 mm) aux endroits marqués.
- ⑤ Vissez quatre vis de 3/4 po (19 mm) en laissant dépasser 1/4 po (6 mm) de la vis pour suspendre la hotte.
- ⑥ Avec l'aide d'une deuxième personne, soulevez et suspendez la hotte par les vis en utilisant les encoches en trou de serrure sur le dessus de la hotte (reportez-vous à **I**). Serrez les quatre vis.
- ⑦ Percez dans le mur un trou de 3/8 po (9,5 mm) au centre des trous indiqués dans **G**. Insérez deux chevilles murales dans les trous percés. Fixez la hotte aux chevilles murales en installant les rondelles de 3/4 po (19 mm) sur les vis fournies avec les chevilles murales, pour ensuite les serrer.
- ⑧ Si vous utilisez une transition de conduit optionnelle, fixez la transition de 10 po (254 mm) maintenant; consultez la section 'Assemblage de la transition de conduit' pour plus de détails.
- ⑨ Fixez le conduit à la transition de 10 po (254 mm) ou aux anneaux de conduit de 8 po (203 mm) avec les vis (non fournies), puis scellez à l'aide de ruban d'aluminium.



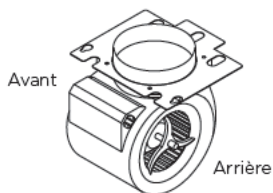
Installation du ventilateur interne (modèles HCB30/36/48 uniquement)

Le ventilateur interne peut être installé comme illustré ci-dessous.

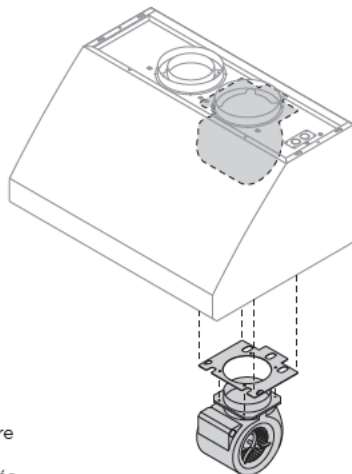
- ① Depuis l'intérieur de la hotte, desserrez les vis de 1/2 po (12,7 mm) servant à fixer la plaque du ventilateur à la hotte.
- ② Glissez la plaque du ventilateur vers vous et abaissez-la hors de la hotte.
- ③ Fixez la plaque du ventilateur au ventilateur en utilisant les vis de 3/4 po (19 mm) fournies.
- ④ Soulevez le ventilateur dans la hotte et installez la partie arrière de la plaque du ventilateur sur la pièce de fixation.
- ⑤ Soulevez vers le haut la partie avant du ventilateur, jusqu'à ce que les vis entrent dans les fentes avec encoche en trou de serrure sur la plaque du ventilateur.
- ⑥ Poussez le ventilateur (vers l'arrière de la hotte) et serrez les vis de 1/2 po (12,7 mm) pour fixer le ventilateur à la hotte.



Ventilateur sans plaque fixée



Ventilateur avec plaque fixée

**Raccordement du ventilateur en ligne (modèles HC36 et HC48 uniquement)**

Pour l'installation du ventilateur en ligne, consultez les instructions fournies avec l'unité de ventilateur en ligne.

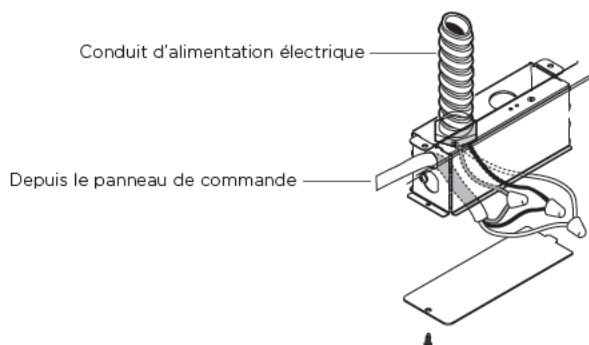
Raccordement électrique

MISE EN GARDE!

- Le câblage électrique doit être réalisé par une ou plusieurs personne(s) qualifiée(s), en conformité avec tous les codes et toutes les normes applicables, en veillant à ce que l'appareil soit mis à la terre.
- Interrompez l'alimentation au panneau électrique avant de procéder au câblage de l'appareil.
- Cet appareil ne doit être utilisé qu'avec une alimentation électrique de 120 V CA/60Hz, sur un circuit de dérivation dédié de 20 A. Nous vous recommandons d'utiliser un fusible à fusion lente ou un disjoncteur.
- Utilisez uniquement avec des ensembles de raccordement de cordon pour hotte qui ont été inspectés et déterminés adéquats pour l'utilisation avec ce modèle de hotte.

Raccordement électrique du ventilateur interne de la hotte (modèles HCB30/36/48 uniquement)

- ① Connectez la fiche à l'intérieur de la hotte au ventilateur interne.
- ② Retirez le couvercle de la boîte de jonction comme illustré ci-dessous.

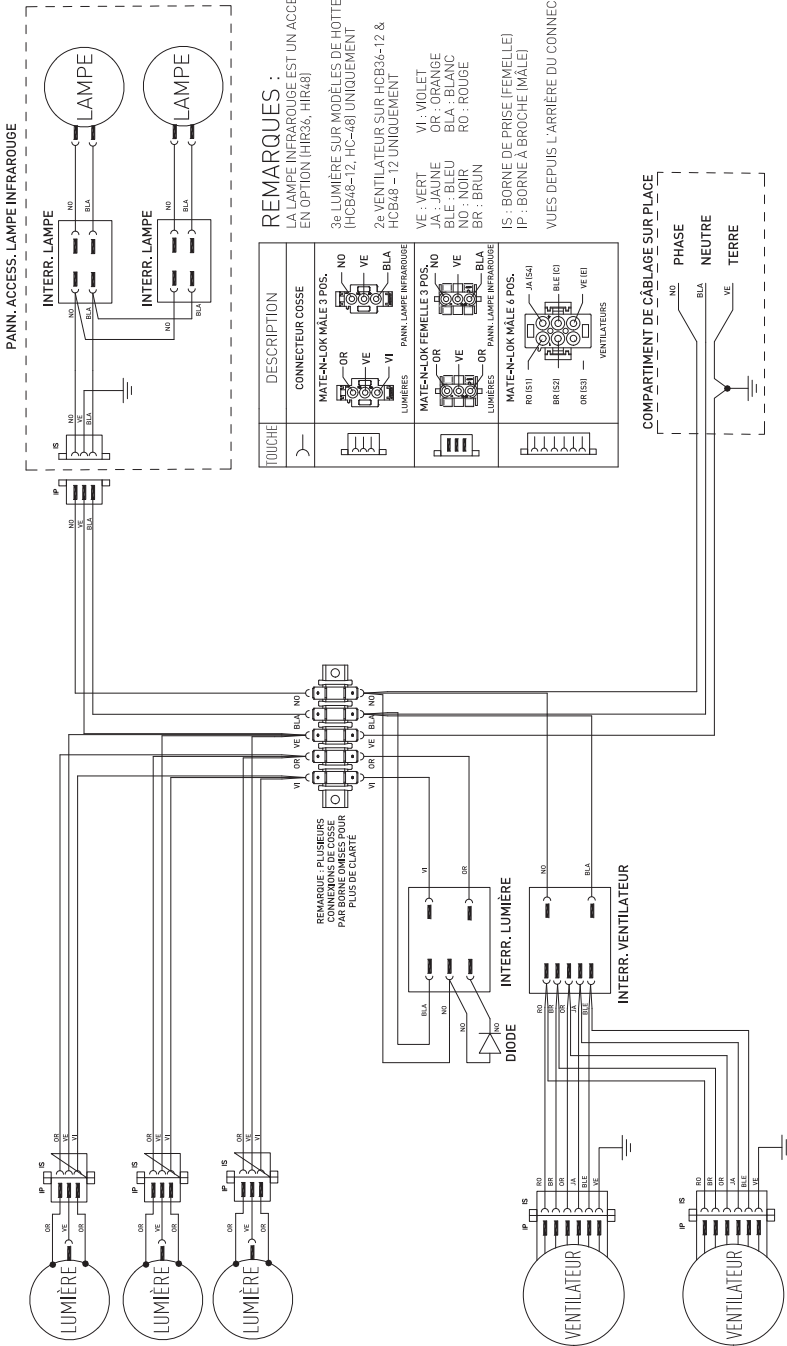


- ③ Retirez les alvéoles défonçables nécessaires et installez un conduit de câblage homologué cULus de 3/4 po (19 mm) et un raccord de conduit ou serre-câble dans la boîte de jonction.
- ④ Faites passer trois fils d'alimentation dans le serre-câble ou conduit de 3/4 po (19 mm), de l'alimentation électrique à la boîte de jonction. Serrez le serre-câble.
- ⑤ Connectez les fils d'alimentation électrique aux fils de la hotte dans l'ordre suivant, en utilisant des capuchons de connexion homologués cULus :
 - fil noir au fil noir
 - fil blanc au fil blanc
 - fil vert/jaune au fil vert.
- ⑥ Fermez le couvercle de la boîte de jonction de la hotte.

Pour terminer l'installation

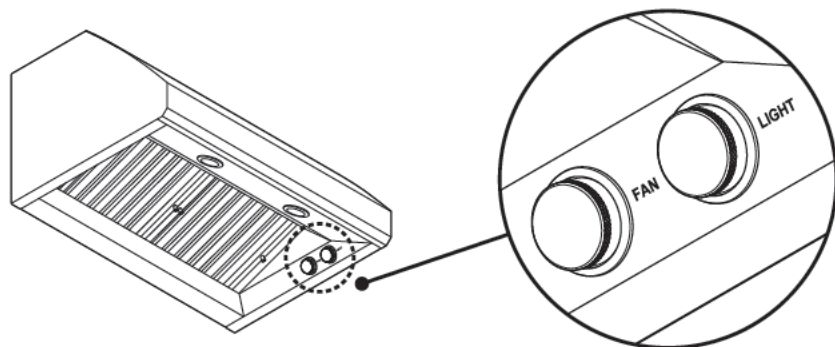
- ① Retirez toutes les enveloppes de protection de la hotte.
- ② Installez les filtres et plateaux à graisse de la manière décrite dans la section 'Nettoyage et entretien'.
- ③ Mettez l'appareil en marche au panneau de commande.
- ④ Vérifiez le fonctionnement de la hotte de la manière décrite dans la section 'Instructions d'utilisation'.

Schéma de câblage



INSTRUCTIONS D'UTILISATION

Panneau de commande



FONCTIONNALITÉS DU PANNEAU DE COMMANDE

Commande de vitesse du ventilateur	<ul style="list-style-type: none">• Permet de mettre en marche ou d'arrêter le ventilateur de la hotte.• Permet de régler la vitesse à LOW, MED, HIGH ou MAX, selon les besoins.• Utilisez toujours le réglage MAX lors des grillades.
Commande de lumière	<ul style="list-style-type: none">• Permet d'allumer ou éteindre la lumière de la hotte.• Permet de régler le niveau d'éclairage à LOW ou HIGH.

Informations d'utilisation générales

- La hotte doit être mise en marche quelques minutes avant la cuisson :
 - Pour établir les courants d'air vers le haut, dans la hotte.
 - Pour aider à éliminer l'air chaud de votre cuisine et garder la surface de la hotte froide. Lorsque de la chaleur, de la fumée, de l'humidité, de la graisse et des odeurs de cuisson sont produites, elles sont évacuées vers l'extérieur au lieu d'être propagées dans les autres pièces.

MISE EN GARDE!

- Avant de procéder à l'entretien ou au nettoyage de la hotte, interrompez l'alimentation au panneau de commande et déconnectez l'alimentation pour éviter la mise en marche accidentelle de la hotte.
- Avant de procéder à l'entretien, laissez l'appareil refroidir après l'interruption de l'alimentation.

IMPORTANT!

- N'utilisez jamais de nettoyants abrasifs ou à base d'huile.
- Portez des gants pour vous protéger des rebords tranchants.

Nettoyage

Nettoyage général

Pour éviter l'accumulation de dépôts de graisse et les dommages à votre hotte :

- Nettoyez votre hotte régulièrement à l'aide d'un détergent liquide doux et d'un chiffon doux et propre.
- N'utilisez pas de produits chimiques corrosifs, de produits de nettoyage abrasifs, de produits de nettoyage à base de citron, de brosses rigides ou de tampons de laine d'acier.

Remarque : Dans les régions où l'humidité est élevée ou les environnements côtiers, le nettoyage doit être effectué plus fréquemment.

Filtres et plateaux à graisse

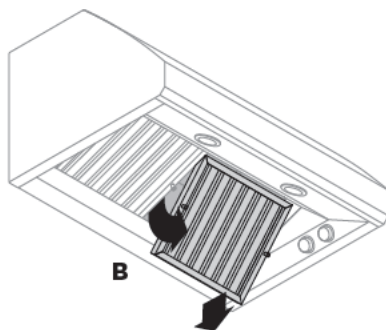
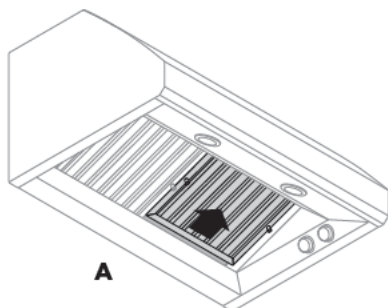
Les filtres et plateaux à graisse doivent être nettoyés au moins une fois par mois :

- Les filtres et plateaux à graisse doivent être retirés et nettoyés avec de l'eau savonneuse et chaude ou dans un lave-vaisselle.
- Si vous les lavez au lave-vaisselle, vous devez placer les filtres et plateaux à graisse dans une position verticale.
- Après le nettoyage et le séchage, réinstallez les filtres et plateaux à graisse.

Les filtres doivent **toujours** être en place pendant l'utilisation de la hotte, car ils permettent d'éviter les dommages à l'intérieur de la hotte. Les plateaux à graisse doivent être installés avant les filtres.

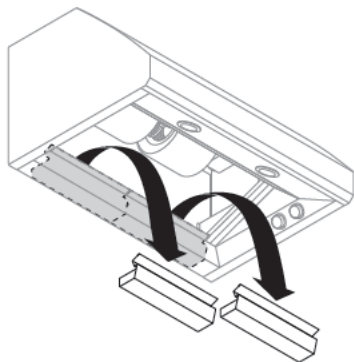
Pour retirer les filtres :

- ① Saisissez les boutons du filtre, poussez vers le haut et tirez vers vous pour libérer la partie arrière du filtre des plateaux à graisse (reportez-vous à **A**).
- ② Abaissez la partie arrière du filtre pour dégager ce dernier de la partie avant de la hotte (reportez-vous à **B**).



Pour retirer les plateaux à graisse :

- ① Saisissez le plateau à graisse et poussez sur celui-ci. Cela permet de dégager le plateau à graisse de la hotte.
- ② Soulevez le plateau à graisse vers le haut et hors du rail de la hotte.

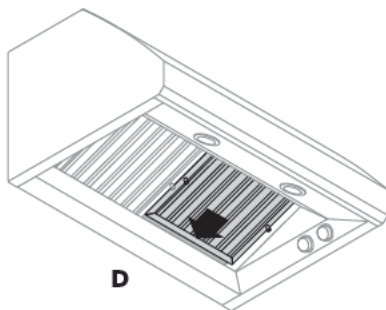
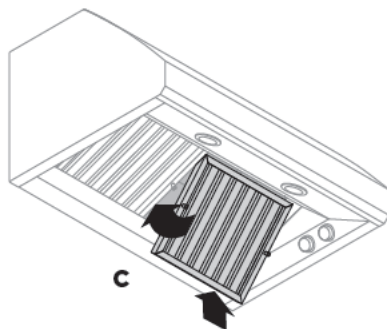


Pour réinstaller les plateaux à graisse :

- ① Gardez l'extrémité arrière du plateau à graisse inclinée vers le bas pendant que vous l'insérez, puis abaissez la partie arrière du plateau à graisse dans le rail de la hotte.
- ② Assurez-vous que la partie inférieure du plateau à graisse repose à plat dans le rail de la hotte.

Pour réinstaller les filtres :

- ① Saisissez le filtre par les boutons.
- ② Insérez le devant du filtre dans le rail avant de la hotte, puis glissez-le vers vous (reportez-vous à **C**).
- ③ Soulevez la partie arrière du filtre vers le haut, puis abaissez-la dans le plateau à graisse.
- ④ Glissez le filtre vers l'arrière jusqu'à ce qu'il repose fermement en place (reportez-vous à **D**).



Remplacement de l'ampoule

IMPORTANT!

- **Portez des gants pour vous protéger des rebords tranchants.**
- **NE TOUCHEZ PAS à l'ampoule pendant l'utilisation. Elle pourrait être suffisamment chaude pour causer des blessures.**

Remarque : Les ampoules de rechange ne sont pas couvertes par la garantie.

Pour remplacer l'ampoule :

- Éteignez la hotte et laissez refroidir l'ampoule.
- Déconnectez l'alimentation.
- Pour retirer l'ampoule, poussez vers le haut et tournez dans le sens inverse des aiguilles d'une montre.
- Remplacez-la par une nouvelle ampoule de 120 V, 50 W maximum (ou DEL équivalente à gradation) avec une base GU10.
- Répétez les étapes pour les autres ampoules, si nécessaire.
- Reconnectez l'alimentation.
- Si les nouvelles ampoules ne fonctionnent pas, assurez-vous que les ampoules sont insérées correctement avant d'appeler un représentant de service.

Remplacement de la lampe infrarouge (accessoire en option)

MISE EN GARDE!

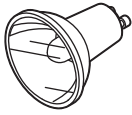
Pour éviter toute électrocution, faites installer l'ensemble de panneau et lampe infrarouge par un électricien qualifié avant de commencer l'installation de la hotte.

Le panneau de lampe infrarouge en option peut être commandé séparément et fixé sur votre hotte; consultez la section 'Pièces et accessoires'.

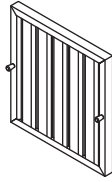
- Éteignez la hotte et laissez refroidir la lampe infrarouge.
- Déconnectez l'alimentation.
- Retirez l'ampoule de la lampe infrarouge en tournant dans le sens contraire des aiguilles d'une montre.
- Remplacez-la par une nouvelle ampoule infrarouge 120 V, 175 W maximum avec raccord vissé E26.
- Répétez les étapes pour l'autre lampe, si nécessaire.
- Reconnectez l'alimentation.
- Si les nouvelles lampes ne fonctionnent pas, assurez-vous que les ampoules sont insérées correctement avant d'appeler un représentant de service.

PIÈCES ET ACCESSOIRES

Pièces



2 ampoules halogènes
120 V 50 W



Filtres

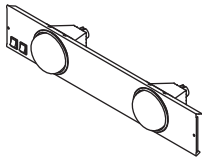
- 11 7/8 po (301 mm)
- 13 7/8 po (352 mm)



Lampe infrarouge
120 V 175 W

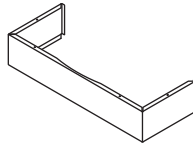
Remarque: Les pièces détachées ci-dessus sont couramment utilisées. Pour acheter ces pièces et toute autre pièces de rechange, veuillez consulter la section de votre pays dans le manuel de service et de garantie séparé.

Accessoires



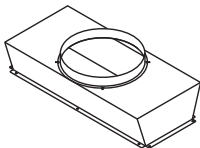
Panneau de lampe infrarouge avec 2 ampoules infrarouges (175 W chacune) et vis de 3/4 po (19 mm) (2)

- Panneau de lampe infrarouge de 36 po (HIR36) (50080)
- Panneau de lampe infrarouge de 48 po (HIR48) (50081)



Panneaux de recouvrement de conduit (acier inoxydable) incluant des vis à métaux T20 (TORX) de 5/16 po (8 mm) (6)

- Panneau de recouvrement de conduit de 30 po, hauteur de 6 po (152 mm) (50092)
- Panneau de recouvrement de conduit de 36 po, hauteur de 6 po (152 mm) (50076)
- Panneau de recouvrement de conduit de 48 po, hauteur de 6 po (152 mm) (50078)
- Panneau de recouvrement de conduit de 30 po, hauteur de 12 po (305 mm) (50093)
- Panneau de recouvrement de conduit de 36 po, hauteur de 12 po (305 mm) (50077)
- Panneau de recouvrement de conduit de 48 po, hauteur de 12 po (305 mm) (50079)



Transition de conduit avec sortie de 10 po (254 mm) incluant des vis à métaux T20 (TORX) de 5/16 po (8 mm) (12) (50129)

Pour plus de détails sur la garantie du fabricant et les coordonnées pour le service, veuillez vous reporter au manuel d'entretien et de garantie distinct, fourni avec votre hotte.

Remplir et conserver pour référence ultérieure :

Modèle _____

N° de série _____

Date d'achat _____

Acheteur _____

Détaillant _____

Ville _____

État/Province _____

Code postal _____

Pays _____

FISHERPAYKEL.COM

© Fisher & Paykel Appliances 2018. All rights reserved.

The product specifications in this booklet apply to the specific products and models described at the date of issue. Under our policy of continuous product improvement, these specifications may change at any time. You should therefore check with your Dealer to ensure this booklet correctly describes the product currently available.

© Fisher & Paykel Appliances 2018. Tous droits réservés.

Les caractéristiques de produit présentées dans ce livret s'appliquent aux modèles et produits spécifiques qui y sont décrits à la date de publication. Dans le cadre de notre politique d'amélioration en permanence de nos produits, ces caractéristiques peuvent être modifiées à tout moment. Nous vous recommandons de vérifier auprès de votre détaillant que ce livret décrit le produit actuellement disponible.

US CA

104907C 04.18