

**30" BUILT-IN OVENS AND COMPANIONS
CONTEMPORARY**

PLANNING GUIDE

SERIES 9 & 11

OB30DDPTDX2 | OB30SDPTDX2 | OS30SDTDX1 | OS30NDTDX1 | OM30NDTDX1

SERIES 9

EB24DSX1 | TK7630NDX1 | WB30SDX1-SET | WB30SDB1-SET | VB30SDX1-SET | VB30SDB1-SET

SERIES 7

OB30SD17PLX1 | OB30SD14PLX1 | OS30SDLX1 | OS30NDLX1 | OM30NDLX1

FISHER & PAYKEL

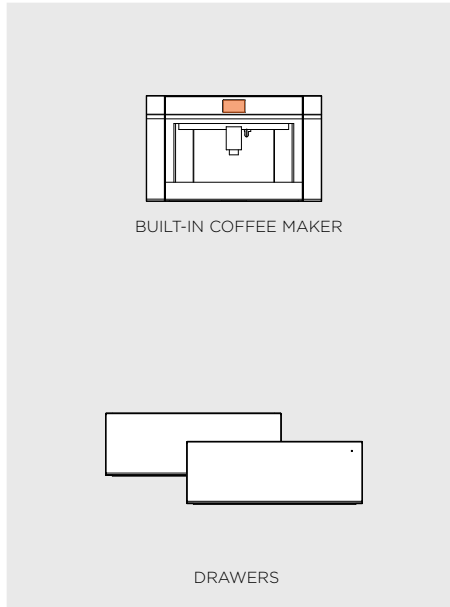
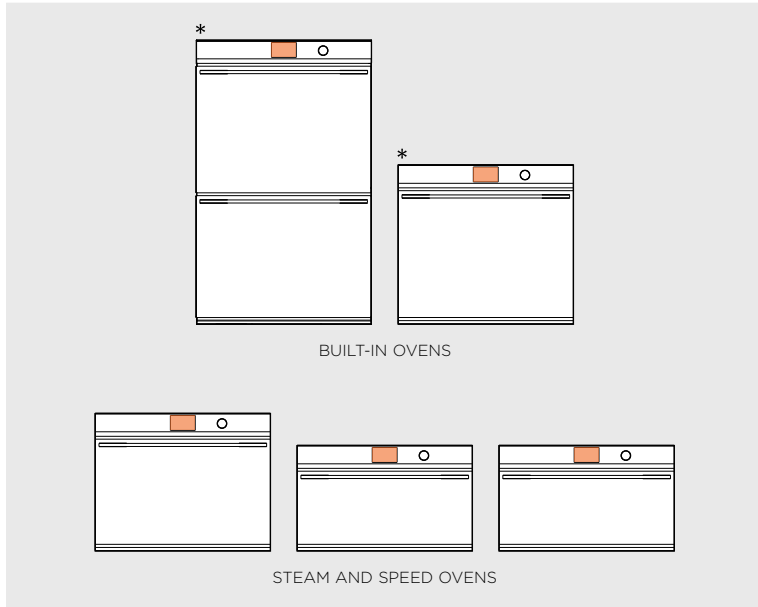
This comprehensive Planning Guide provides you with the framework and tools to achieve your desired design outcome with Fisher & Paykel appliances. In this guide, you will find a range of conceptual, detailed, and dimensional product information to bring your ideas to life and create spaces that truly reflect your vision.

CONCEPT DESIGN	PAGE	DEVELOPED AND DETAILED DESIGN	PAGE	DEVELOPED AND DETAILED DESIGN	PAGE
Design Choices	3				
Specification Guides Oven					
Built-In Double Oven	9	Planning Guide information for Developed and Detailed Design available in Q3 2024			
Built-In Oven	11				
Specification Guides Steam & Speed Ovens					
Combination Steam Oven	13				
Combination Steam Oven	15				
Convection Speed Oven	16				
Specification Guides Coffee Maker					
Built-In Coffee Maker with Trim Kit	19				
Specification Guides Drawers					
Warming Drawer	22				
Vacuum Seal Drawer	24				
Specification Guides Oven					
Built-In Oven	27				
Built-In Oven	29				
Specification Guides Steam & Speed Ovens					
Combination Steam Oven	31				
Combination Steam Oven	33				
Convection Speed Oven	34				

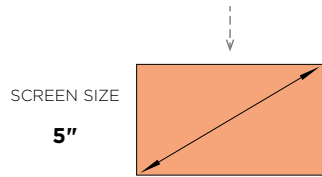
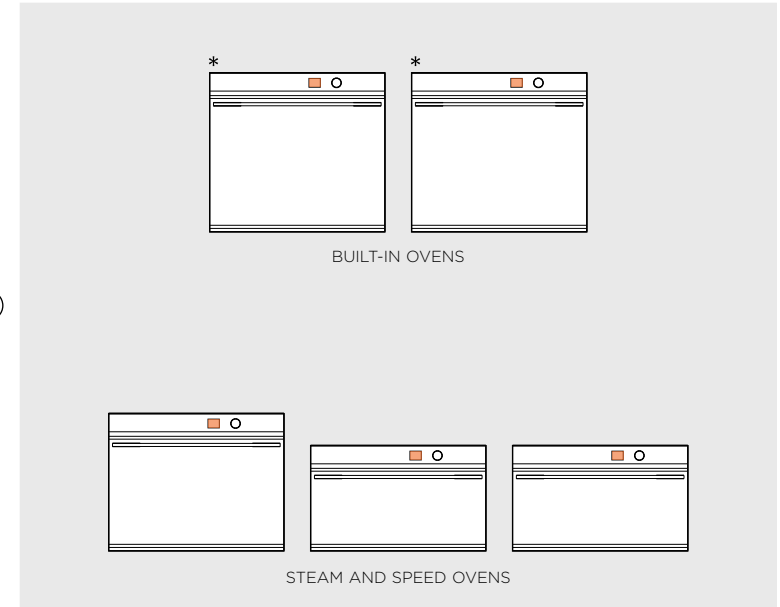
DESIGN CHOICES

DESIGN CHOICES | 30" BUILT-IN OVENS AND COMPANIONS, CONTEMPORARY

SERIES 9 & 11

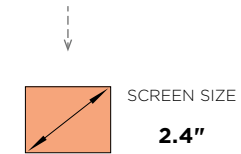


SERIES 7



INSTALLATION CONSIDERATIONS
All models can be installed together but consider screen size and product height for multiple installation.

IMPORTANT NOTE
* Thickness of oven front and control panel (excl. handle and dials) on these models is 40mm. All other products are 20mm.



BUILT-IN OVENS	
Built-In Double Oven	OB30DDPTDX2
Built-In Oven	OB30SDPTDX2

STEAM AND SPEED OVENS	
Combination Steam Oven	OS30SDTDX1
Combination Steam Oven	OS30NDTDX1
Convection Speed Oven	OM30NDTDX1

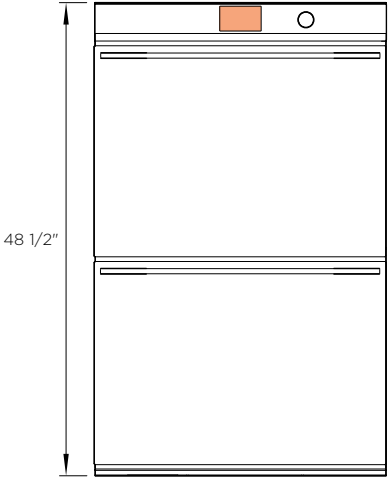
BUILT-IN COFFEE MAKER	
Built-In Coffee Maker	EB24DSX1
Coffee Maker Trim Kit	TK7630NDX1

DRAWERS	
Warming Drawer	WB30SDX1-SET
Warming Drawer	WB30SDB1-SET
Vacuum Seal Drawer	VB30SDX1-SET
Vacuum Seal Drawer	VB30SDB1-SET

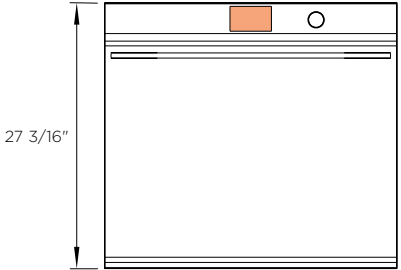
BUILT-IN OVENS	
Built-In Oven	OB30SD17PLX1
Built-In Oven	OB30SD14PLX1

STEAM AND SPEED OVENS	
Combination Steam Oven	OS30SDLX1
Combination Steam Oven	OS30NDLX1
Convection Speed Oven	OM30NDLX1

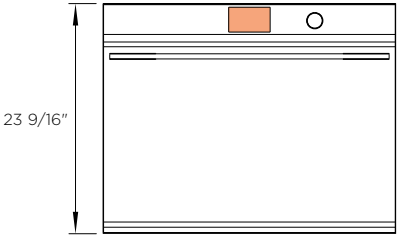
SERIES 9 & 11



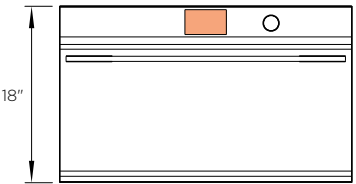
①



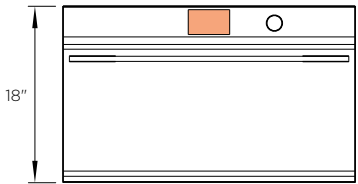
②



③



④



⑤

PRODUCT OVERVIEW

① **OB30DDPTDX2**
Built-In Double Oven, 5" Touchscreen, Dial Control

② **OB30SDPTDX2**
Built-In Oven, 5" Touchscreen, Dial Control

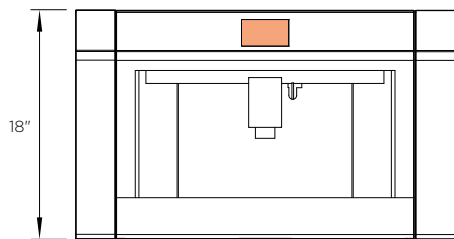
③ **OS30SDTDX1** (AVAILABLE Q3, 2024)
Combination Steam Oven, 5" Touchscreen, Dial Control

④ **OS30NDTDX1** (AVAILABLE Q3, 2024)
Combination Steam Oven, 5" Touchscreen, Dial Control

⑤ **OM30NDTDX1** (AVAILABLE Q3, 2024)
Convection Speed Oven, 5" Touchscreen, Dial Control

NOTE: Consider height for side-by-side installation.

SERIES 9



①



②



③

PRODUCT OVERVIEW

① **EB24DSX1 (Trim Kit TK7630NDX1)**

Built-in Coffee Maker, 4.3" Touchscreen

② **WB30SDX1-SET | WB30SDB1-SET**

Warming Drawer, Stainless Steel

Warming Drawer, Black Glass

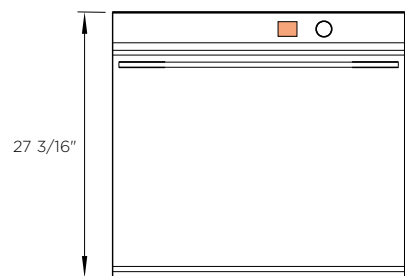
③ **VB30SDX1-SET | VB30SDB1-SET**

Vacuum Seal Drawer, Stainless Steel

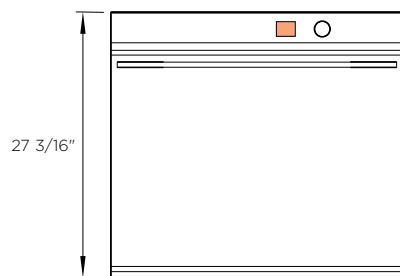
Vacuum Seal Drawer, Black Glass

NOTE: Consider height for side-by-side installation.

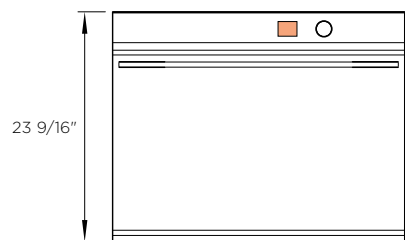
SERIES 7



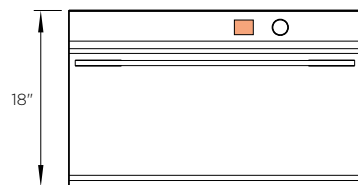
①



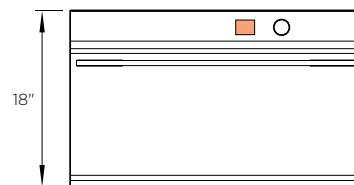
②



③



④



⑤

PRODUCT OVERVIEW

① **OB30SD17PLX1**

Built-In Oven, 2.4" Screen, Dial Control

② **OB30SD14PLX1**

Built-In Oven, 2.4" Screen, Dial Control

③ **OS30SDLX1** (AVAILABLE Q3, 2024)

Combination Steam Oven, 2.4" Screen, Dial Control

④ **OS30NDLX1** (AVAILABLE Q3, 2024)

Combination Steam Oven, 2.4" Screen, Dial Control

⑤ **OM30NDLX1** (AVAILABLE Q3, 2024)

Convection Speed Oven, 2.4" Screen, Dial Control

NOTE: Consider height for side-by-side installation.

SPECIFICATION GUIDE OVENS
SERIES 9 & 11



OVERVIEW

Enhance your kitchen design with the refined styling of the 30" Double Oven. Complementing the other products in our Contemporary collection, you can create a coherent, considered look with ease. Intuitive controls and the performance to deliver perfect results make this double oven beautiful to use.

PRODUCTS

OB30DDPTDX2

Double Oven, 30", 17 Function, Self-cleaning, 4.1 + 4.1cu ft, Touchscreen, Dial Controls, Stainless Steel

SERIES & STYLE

Series 9
Contemporary

FEATURES

- ① Designed to fit flush with cabinetry
- ② Styled to perfectly match our Contemporary kitchen appliances
- ③ Generous 4.1cu ft total capacity per oven
- ④ High-resolution, user-friendly touch display
- ⑤ Guided cooking and recipes
- ⑥ Perfect results from a variety of oven functions
- ⑦ Even heat distribution throughout with AeroTech™ technology
- ⑧ Self-cleaning
- ⑨ CoolTouch door
- ⑩ Wi-Fi/Connected capability through the SmartHQ™ app

ACCESSORIES

- ① Full-extension sliding shelves*
- ② Self-cleaning-proof side racks*
- ③ Roasting dish, tray and rack*
- ④ Wired Temperature Sensor*

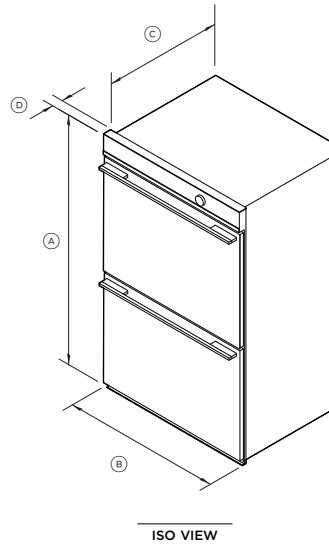
*Included with product



SPECIFICATIONS

Model No.	OB30DDPTDX2
Dimensions	H 48 1/2" W 29 15/16" D 24"
Total Oven Capacity	4.1cu ft (115L) per oven
Weight	
Packaged	405lb (184kg)
Electrical	
Supply	208 V or 240 V, 60 Hz
Service	40 A

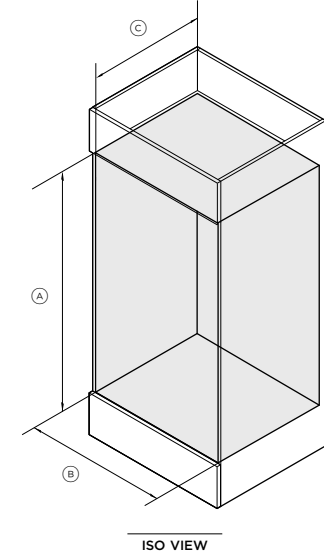
PRODUCT DIMENSIONS



	inch	mm
Ⓐ Overall height	48 1/2	1232
Ⓑ Overall width	29 15/16	760
Ⓒ Depth of chassis	22 7/16	569
Ⓓ Thickness of oven front and control panel (excl. handle and dials)	1 9/16	40
Depth of upper door when fully open (measured from front of control panel)	21 11/16	550
Depth of lower door when fully open (measured from front of control panel)	20 7/8	530

NOTE: If installing with other contemporary products, consider trim front thickness.

CAVITY DIMENSIONS: STANDARD INSTALLATION



	inch	mm
Ⓐ Minimum inside height of cavity	48 3/16	1224
Ⓑ Minimum inside width of cavity	28 1/2	724
Ⓒ Minimum inside depth of cavity for flush installation	24 3/16	615

The models shown in this Planning Guide may not be available in all markets and are subject to change at any time. Product specifications may vary from those shown. This Planning Guide should not be used as installation guidance for any product. Further information is required to safely and correctly install the products featured here. Specific installation guidance will be available on our website fisherpaykel.com



OVERVIEW

Enhance your kitchen design with the refined styling. Complementing the other products in our Contemporary collection, you can create a coherent, considered look with ease. Intuitive controls and the performance to deliver perfect results make this oven beautiful to use.

PRODUCTS

OB30SDPTDX2

Oven, 30", 17 Function, 4.1cu ft, Touchscreen, Dial Controls, Stainless Steel

SERIES & STYLE

Series 9
Contemporary

FEATURES

- ① Designed to fit flush with cabinetry
- ② Styled to perfectly match our Contemporary kitchen appliances
- ③ Generous 4.1cu ft total capacity
- ④ High-resolution, user-friendly touch display
- ⑤ Guided cooking and recipes
- ⑥ Perfect results from a variety of oven functions
- ⑦ Even heat distribution throughout with AeroTech™ technology
- ⑧ Self-cleaning
- ⑨ Wireless temperature sensor precisely monitors cooking in real time*
- ⑩ Wi-Fi/Connected capability through the SmartHQ™ app

ACCESSORIES

- ① Full-extension sliding shelves*
- ② Self-cleaning-proof side racks*
- ③ Roasting dish, tray and rack*
- ④ Wired temperature sensor*
- ⑤ Wireless temperature sensor - Part WTSC1

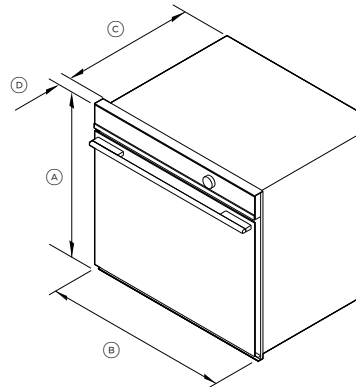
*Included with product

The models shown in this Planning Guide may not be available in all markets and are subject to change at any time. Product specifications may vary from those shown. This Planning Guide should not be used as installation guidance for any product. Further information is required to safely and correctly install the products featured here. Specific installation guidance will be available on our website fisherpaykel.com

SPECIFICATIONS

Model No.	OB30SDPTDX2
Dimensions	H 27 3/16" W 29 15/16" D 24"
Total Oven Capacity	4.1cu ft (115L)
Weight	
Packaged	247lb (110kg)
Electrical	
Supply	208 V or 240 V, 60 Hz
Service	20 A

PRODUCT DIMENSIONS

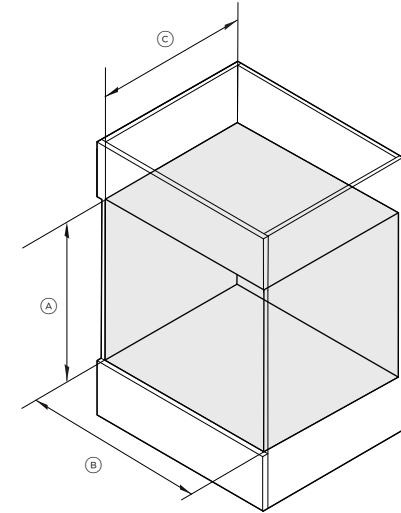


ISO VIEW

	inch	mm
(A) Overall height	27 3/16	690
(B) Overall width	29 15/16	760
(C) Depth of chassis	22 7/16	569
(D) Thickness of oven front and control panel (excl. handle and dials)	1 9/16	40
Depth of door when fully open (measured from front of control panel)	21 11/16	550

NOTE: If installing with other contemporary products, consider trim front thickness.

CAVITY DIMENSIONS: STANDARD INSTALLATION



ISO VIEW

	inch	mm
(A) Minimum inside height of cavity	26 13/16	681
(B) Minimum inside width of cavity	28 1/2	724
(C) Minimum inside depth of cavity for flush installation	24 3/16	615

The models shown in this Planning Guide may not be available in all markets and are subject to change at any time. Product specifications may vary from those shown. This Planning Guide should not be used as installation guidance for any product. Further information is required to safely and correctly install the products featured here. Specific installation guidance will be available on our website fisherpaykel.com



OVERVIEW

With timeless Contemporary styling, the compact Combination Steam Oven fits seamlessly into any kitchen. As a companion product, this Steam Oven is designed to install easily and fit perfectly with other companion products. It features 23 functions, including steam-only, convection-only, or a combination of both. Reduce the need for oils and fats with six standalone steam functions, perfect for creating flavorful and healthy restaurant-quality meals at home. Beautiful to use, the large 5" touchscreen interface has simple and intuitive guided cooking, helping to ensure perfect results.

PRODUCTS

OS30SDTDX1

Combination Steam Oven, 30", 23 Function

SERIES & STYLE

Series 11
Contemporary

FEATURES

- ① Contemporary style, designed to fit flush with cabinetry
- ② Generous 3 cu ft total capacity with six shelf positions
- ③ Intuitive, large 5" touchscreen display with illuminated dial
- ④ 23 oven functions, including six steam-only functions
- ⑤ Moisture control and even heat distribution thanks to ActiveVent and AeroTech™ technology
- ⑥ Guided cooking, with the option to access additional functionality via the SmartHQ™ app, with the purchase of the wireless temperature sensor
- ⑦ Water tank capacity of 50.7 fl oz
- ⑧ Wi-Fi/Connected capability through the SmartHQ™ app
- ⑨ Wireless Temperature Sensor precisely monitors cooking in real time. Purchased separately
- ⑩ Soft open and close door

ACCESSORIES

- ① Full-extension sliding shelves*
- ② Self-cleaning-proof side racks*
- ③ Roasting dish, tray and rack*
- ④ Wired temperature sensor*
- ⑤ Descale solution - 2 sachets, Part 580925

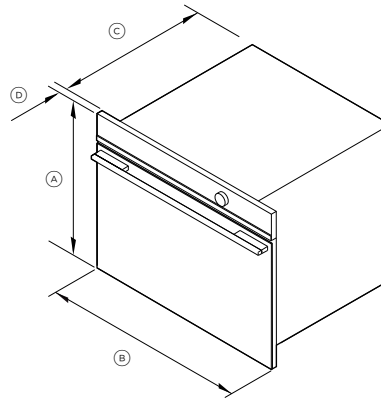
*Included with product

The models shown in this Planning Guide may not be available in all markets and are subject to change at any time. Product specifications may vary from those shown. This Planning Guide should not be used as installation guidance for any product. Further information is required to safely and correctly install the products featured here. Specific installation guidance will be available on our website fisherpaykel.com

SPECIFICATIONS

Model No.	OS30SDTDX1
Dimensions	H 23 9/16" W 29 15/16" D 22 1/4"
Total Oven Capacity	3cu ft (85L)
Weight	
Packaged	152lb (69kg)
Unpackaged	119lb (54kg)
Electrical	
Supply	208 V or 240 V, 60 Hz
Service	20 A

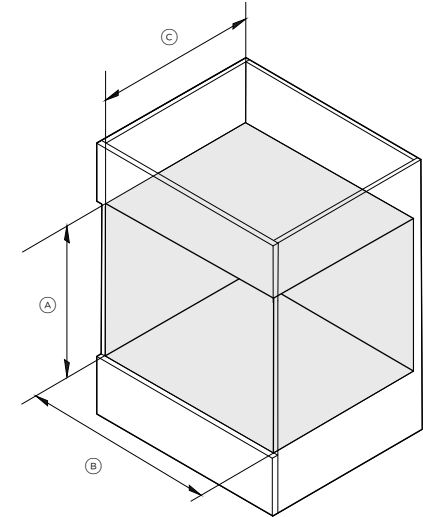
PRODUCT DIMENSIONS



ISO VIEW

	inch	mm
(A) Overall height	23 9/16	598
(B) Overall width	29 15/16	760
(C) Depth of chassis	21 7/16	545
(D) Thickness of oven front and control panel (excl. handle and dials)	13/16	20
Depth of door when fully open (measured from front of control panel)	18 1/8	460

CAVITY DIMENSIONS: STANDARD INSTALLATION



ISO VIEW

	inch	mm
(A) Minimum inside height of cavity	22 13/16	580
(B) Minimum inside width of cavity	28 1/2	724
(C) Minimum inside depth of cavity for flush installation	22 7/16	570

The models shown in this Planning Guide may not be available in all markets and are subject to change at any time. Product specifications may vary from those shown. This Planning Guide should not be used as installation guidance for any product. Further information is required to safely and correctly install the products featured here. Specific installation guidance will be available on our website fisherpaykel.com



OVERVIEW

With timeless Contemporary styling, the Convection Speed Oven fits seamlessly into any kitchen. As a companion product, this Speed Oven is designed to install easily and fit perfectly with other companion products such as the Combination Steam Oven, or Vacuum Seal Drawer. A flexible appliance that pairs the speed of microwave cooking with oven technology, which can crisp and brown as it cooks. Featuring 23 cooking functions on an intuitive touch display for easy programming of desired cooking mode and duration.

PRODUCTS

OS30NDTDX1
Convection Speed Oven, 30", 23 Function

SERIES & STYLE

Series 9
Contemporary

FEATURES

- ① Contemporary style, designed to fit flush with cabinetry
- ② 1.9cu ft total capacity
- ③ Intuitive, large 5" touchscreen display with illuminated dial
- ④ With 23 functions: four microwave, 14 oven and four combination
- ⑤ A Wired Temperature Sensor precisely monitors cooking in real time
- ⑥ Guided cooking, with the option to access additional functionality via the SmartHQ™ app
- ⑦ Wi-Fi/Connected capability through the SmartHQ™ app
- ⑧ Soft open and close door
- ⑨ Wireless Temperature Sensor precisely monitors cooking in real time. Purchased separately

ACCESSORIES

- ① Full-extension sliding shelves*
- ② Step down wire shelf*
- ③ Roasting dish, tray and rack*
- ④ Wired Temperature Sensor*
- ⑤ Descale solution - 2 sachets, Part 580925

*Included with product

The models shown in this Planning Guide may not be available in all markets and are subject to change at any time. Product specifications may vary from those shown. This Planning Guide should not be used as installation guidance for any product. Further information is required to safely and correctly install the products featured here. Specific installation guidance will be available on our website fisherpaykel.com



OVERVIEW

With timeless Contemporary styling, the Convection Speed Oven fits seamlessly into any kitchen. As a companion product, this Speed Oven is designed to install easily and fit perfectly with other companion products such as the Combination Steam Oven, or Vacuum Seal Drawer. A flexible appliance that pairs the speed of microwave cooking with oven technology, which can crisp and brown as it cooks. Featuring 22 cooking functions on an intuitive touch display for easy programming of desired cooking mode and duration.

PRODUCTS

OM30NDTDX1

Convection Speed Oven, 30", 22 Function

SERIES & STYLE

Series 9
Contemporary

FEATURES

- ① Contemporary style, designed to fit flush with cabinetry
- ② With 1.7cu ft total capacity
- ③ Intuitive, large 5" touchscreen display with illuminated dial
- ④ With 22 functions: four microwave, 14 oven and four combination
- ⑤ A Wired Temperature Sensor precisely monitors cooking in real time
- ⑥ Guided cooking, with the option to access additional functionality via the SmartHQ™ app
- ⑦ Wi-Fi/Connected capability through the SmartHQ™ app
- ⑧ Soft open and close door

ACCESSORIES

- ① Chromed shelf runners*
- ② Glass tray*
- ③ Wire shelf*
- ④ Wired Temperature Sensor

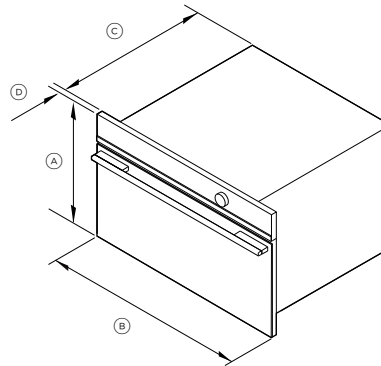
*Included with product

The models shown in this Planning Guide may not be available in all markets and are subject to change at any time. Product specifications may vary from those shown. This Planning Guide should not be used as installation guidance for any product. Further information is required to safely and correctly install the products featured here. Specific installation guidance will be available on our website fisherpaykel.com

SPECIFICATIONS

Model No.	OS30NDDTX1, Combination Steam Oven OM30NDDTX1, Convection Speed Oven
Dimensions	H 18" W 29 15/16" D 22 1/4"
Total Oven Capacity	
OS30NDDTX1	1.9cu ft (55L)
OM30NDDTX1	1.7cu ft (49L)
Weight	
Packaged	121lb (55kg)
Unpackaged	101lb (46kg)
Electrical	
Supply	208 V or 240 V, 60 Hz
Service	20 A

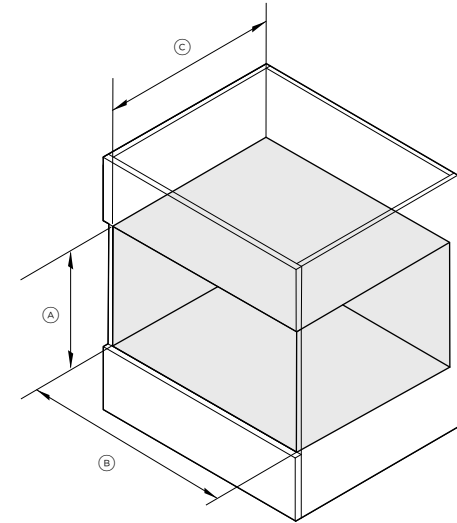
PRODUCT DIMENSIONS



ISO VIEW

	inch	mm
(A) Overall height	18	458
(B) Overall width	29 15/16	760
(C) Depth of chassis	21 7/16	545
(D) Thickness of oven front and control panel (excl. handle and dials)	13/16	20
Depth of door when fully open (measured from front of control panel)	12 5/8	320

CAVITY DIMENSIONS: STANDARD INSTALLATION



ISO VIEW

	inch	mm
(A) Minimum inside height of cavity	17 5/16	440
(B) Minimum inside width of cavity	28 1/2	724
(C) Minimum inside depth of cavity for flush installation	22 7/16	570

Note: Convection Speed Oven requires ventilation at the rear of the cavity.

The models shown in this Planning Guide may not be available in all markets and are subject to change at any time. Product specifications may vary from those shown. This Planning Guide should not be used as installation guidance for any product. Further information is required to safely and correctly install the products featured here. Specific installation guidance will be available on our website fisherpaykel.com

SPECIFICATION GUIDE COFFEE MAKER

SERIES 9



OVERVIEW

The Built-in Coffee Maker features a stylish stainless steel finish and can be installed in multiple configurations to suit kitchen design and preference. With 13 beverage options, our Coffee Maker is designed to consistently pour delicious coffee – from Flat White to Latte or Americano. Favourite coffee can be memorised and set to start at the same time each day, while the conical burr grinder delivers a consistent grind for the perfect coffee.

PRODUCTS

EB24DSX1

Built-in Coffee Maker, 24", Touchscreen, Stainless Steel

TK7630NDX1

Companion Trim Kit, 30", Stainless Steel

Note: Trim Kit purchased separately

SERIES & STYLE

Series 9
Contemporary

FEATURES

- ① Designed to pair perfectly with 30" ovens and companion products
- ② Stylish stainless steel finish
- ③ Install in multiple configurations to suit your kitchen design
- ④ Intuitive touch display
- ⑤ 13 functions to suit any taste and selection – from Espresso to Latte
- ⑥ Personalised coffee and smart self-learning menu preferences
- ⑦ Stainless steel conical burr grinder with 13 coarseness positions
- ⑧ 15 bar pump pressure
- ⑨ Self-cleaning function and easy to empty coffee grounds container and drip tray
- ⑩ 84ft oz (2.5L) water tank capacity

ACCESSORIES

- ① Thermal milk jug 17ft oz (0.5L)*
- ② Water filter*
- ③ Coffee spoon*
- ④ Extractable steam outlet*
- ⑤ Descaling agent bottle*

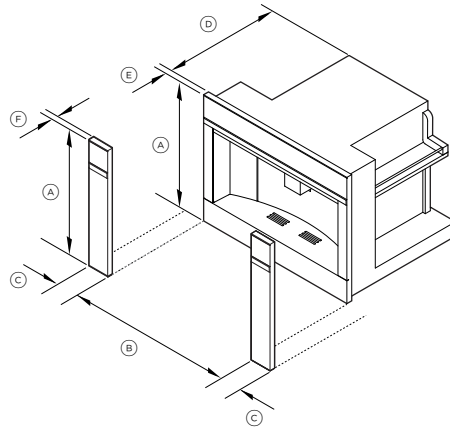
*Included with product

The models shown in this Planning Guide may not be available in all markets and are subject to change at any time. Product specifications may vary from those shown. This Planning Guide should not be used as installation guidance for any product. Further information is required to safely and correctly install the products featured here. Specific installation guidance will be available on our website fisherpaykel.com

SPECIFICATIONS

Model No.	EB24DSX1, Coffee Maker TK7630NDX1, Trim Kit
Dimensions	H 18" W 29 15/16" (with Trim Kit) D 18 7/8"
Weight - EB24DSX1	
Packaged	72lb (33kg)
Unpackaged	52lb (24kg)
Electrical	
Supply	120 V, 60 Hz
Service	10 A

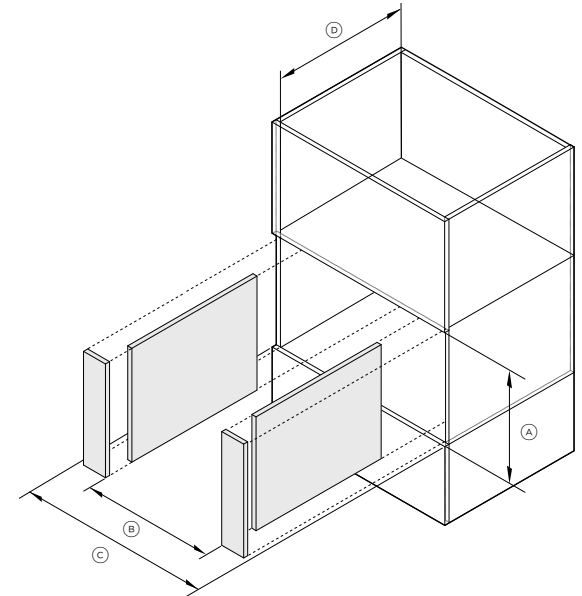
PRODUCT DIMENSIONS



ISO VIEW

	inch	mm
Ⓐ Overall height of coffee maker and trim kit	18	458
Ⓑ Overall width of coffee maker	23 1/2	596
Ⓒ Width of trim kit	3 1/9	79
Ⓓ Depth of coffee maker chassis	18 1/8	460
Ⓔ Thickness of coffee maker front and control panel	13/16	20
Ⓕ Thickness of trim kit front	13/16	20

CAVITY DIMENSIONS: STANDARD INSTALLATION



ISO VIEW

	inch	mm
Ⓐ Minimum inside height of cavity	17 5/16	440
Ⓑ Minimum inside width of cavity*	22 1/16	560
Ⓒ Width needed to include trim within cabinetry	29 15/16	760
Ⓓ Minimum inside depth of cavity with trim for flush installation	22 13/16	580

*Cabinetry requires additional vertical sidewalls to secure the product
Note: Ventilation required at the rear of the cavity.

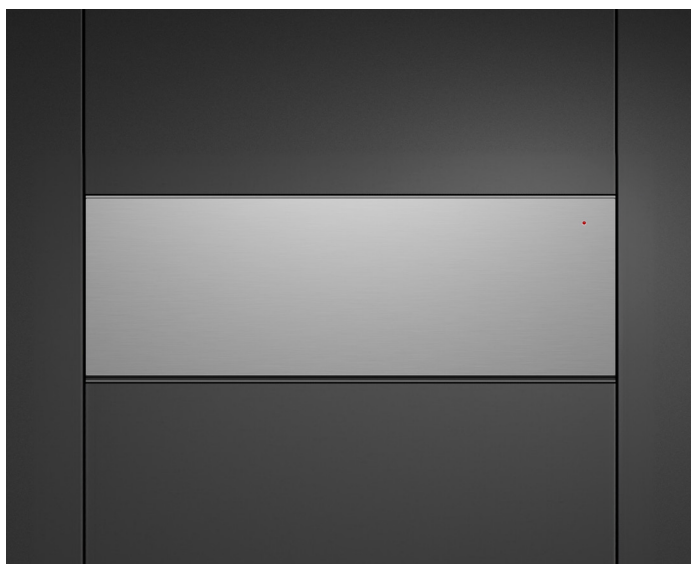
The models shown in this Planning Guide may not be available in all markets and are subject to change at any time. Product specifications may vary from those shown. This Planning Guide should not be used as installation guidance for any product. Further information is required to safely and correctly install the products featured here. Specific installation guidance will be available on our website fisherpaykel.com

SPECIFICATION GUIDE DRAWERS

SERIES 9



Warming Drawer, WB30SDB1-SET Black Glass, paired with Built-in Oven OB30SDPTDX2



Warming Drawer, WB30SDX1-SET Stainless Steel

OVERVIEW

Designed to complement our Minimal and Contemporary ovens, these warming drawers are handle-free, and push-to-open for a coherent, considered look. Beautiful to use, with capacitive touch controls and six tailored functions for warming, proofing, dehydrating and slow cook. Pair with other companion products to create a kitchen suite for every need.

PRODUCTS

WB30SDB1-SET

Warming Drawer, 30", Black Glass

WB30SDX1-SET

Warming Drawer, 30", Stainless Steel

SERIES & STYLE

Series 9
Minimal - Black Glass

Series 9
Contemporary - Stainless Steel

FEATURES

- ① Styled to perfectly match our Minimal and Contemporary kitchen appliances
- ② Seamless pairing with other companion products in either stylish black reflective glass or brushed stainless steel
- ③ Push-to-open drawer
- ④ Easy-to-use capacitive touch controls
- ⑤ Automatic timing and switch-off functionality
- ⑥ Easy-to-clean, smooth-glass base
- ⑦ Room for 16 standard-sized place settings
- ⑧ Versatile with six tailored programmes for warming, proofing, dehydrating and slow cook

ACCESSORIES

- ① Accessory rack for optimizing space*

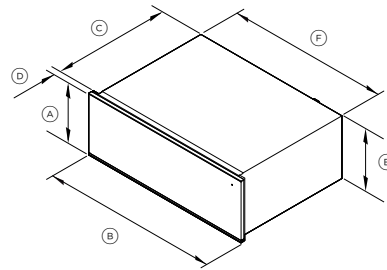
*Included with product

The models shown in this Planning Guide may not be available in all markets and are subject to change at any time. Product specifications may vary from those shown. This Planning Guide should not be used as installation guidance for any product. Further information is required to safely and correctly install the products featured here. Specific installation guidance will be available on our website fisherpaykel.com

SPECIFICATIONS

Model No.	WB30SDB1-SET, Black Glass WB30SDX1-SET, Stainless Steel
Dimensions	H 10 11/16" W 29 15/16" D 22 5/16"
Weight - Packaged	
WB30SDB1-SET	94lb (42kg)
WB30SDX1-SET	132lb (59kg)
Electrical	
Supply	110 V, 60 Hz
Service	10 A
Connection	Flex cord
Power cord length	70 7/8" (1800mm)

PRODUCT DIMENSIONS



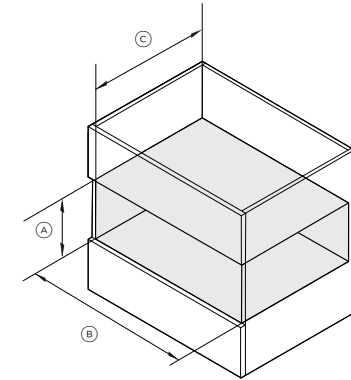
ISO VIEW

	inch	mm
Ⓐ Overall height	10 11/16	271
Ⓑ Overall width	29 15/16	760
Ⓒ Depth of chassis*	21 9/16	547
Ⓓ Thickness of front panel	13/16	20
Ⓔ Height of chassis	10 11/16	271
Ⓕ Width of chassis	27 3/4	704

* Including power plug

NOTE: The drawer can fully support 30inch Fisher & Paykel wall oven without adding shelf between.

CAVITY DIMENSIONS: STANDARD INSTALLATION

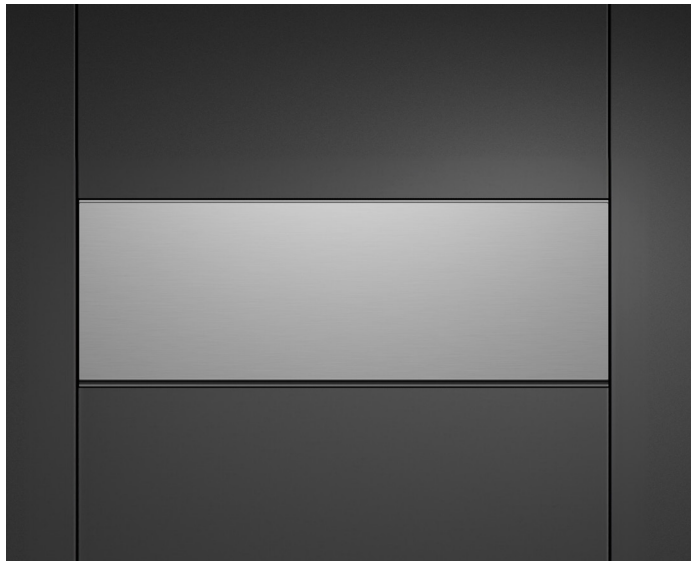


ISO VIEW

	inch	mm
Ⓐ Minimum inside height of cavity	10 3/4	273
Ⓑ Minimum inside width of cavity	28 1/2	724
Ⓒ Minimum inside depth of cavity for flush installation	22 13/16	580



Vacuum Seal Drawer, VB30SDB1-SET Back Glass, paired with Built-in Oven OB30SDPTDX2



Vacuum Seal Drawer, VB30SDX1-SET Stainless Steel

OVERVIEW

Designed to complement our Combination Steam Ovens, these vacuum seal drawers are handle-free, and push-to-open for a coherent, considered look. Beautiful to use, with capacitive touch controls and three levels of vacuuming and sealing to deliver perfect results. Pair with other companion products to create a kitchen suite for every need.

PRODUCTS

VB30SDB1-SET

Vacuum Seal Drawer, 30", Black Glass

VB30SDX1-SET

Vacuum Seal Drawer, 30", Stainless Steel

SERIES & STYLE

Series 9
Minimal Black

Series 9
Contemporary

FEATURES

- ① Styled to perfectly match our Minimal and Contemporary kitchen appliances
- ② Push-to-open drawer
- ③ Three levels of vacuum and heat sealing
- ④ Easy-to-use capacitive touch controls
- ⑤ Easy-to-clean stainless steel interior
- ⑥ Vacuum sealing for easy food portioning, marinating, storage and extended food life
- ⑦ Sealing to capture and intensify flavors and retain nutrients
- ⑧ Effortless preparation for sous vide cooking
- ⑨ External vacuuming to remove air from glass jars and bottles
- ⑩ Additional storage drawer

ACCESSORIES

- ① Large vacuum bags - 50 Bags, Part 793034
- ② Small vacuum bags - 50 Bags, Part 793033
- ③ Adapter accessory kit for external vacuuming*

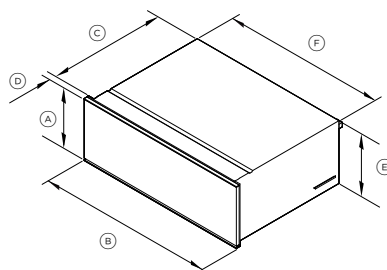
*Included with product

The models shown in this Planning Guide may not be available in all markets and are subject to change at any time. Product specifications may vary from those shown. This Planning Guide should not be used as installation guidance for any product. Further information is required to safely and correctly install the products featured here. Specific installation guidance will be available on our website fisherpaykel.com

SPECIFICATIONS

Model No.	VB30SDB1-SET, Black Glass VB30SDX1-SET, Stainless Steel
Dimensions	H 10 11/16" W 29 15/16" D 22 1/2"
Weight - Packaged	
VB30SDB1-SET	132lb (60kg)
VB30SDX1-SET	132lb (60kg)
Electrical	
Supply	110 V, 60 Hz
Service	10 A
Connection	Flex cord
Power cord length	70 7/8" (1800mm)

PRODUCT DIMENSIONS



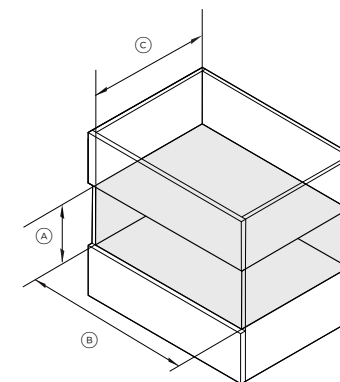
ISO VIEW

	inch	mm
Ⓐ Overall height	10 11/16	271
Ⓑ Overall width	29 15/16	760
Ⓒ Depth of chassis*	21 11/16	551
Ⓓ Thickness of front panel	13/16	20
Ⓔ Height of chassis	10 11/16	271
Ⓕ Width of chassis**	28 7/16	722

* Including power plug
**Including side brackets

NOTE: The drawer can fully support 30inch Fisher & Paykel wall oven without adding shelf between.

CAVITY DIMENSIONS: STANDARD INSTALLATION



ISO VIEW

	inch	mm
Ⓐ Minimum inside height of cavity	10 3/4	273
Ⓑ Minimum inside width of cavity	28 1/2	724
Ⓒ Minimum inside depth of cavity for flush installation	22 13/16	580

The models shown in this Planning Guide may not be available in all markets and are subject to change at any time. Product specifications may vary from those shown. This Planning Guide should not be used as installation guidance for any product. Further information is required to safely and correctly install the products featured here. Specific installation guidance will be available on our website fisherpaykel.com

SPECIFICATION GUIDE OVENS

SERIES 7



OVERVIEW

Designed to fit seamlessly into any kitchen with Contemporary styling. Achieve perfect results with Aerotech™ technology which circulates heat evenly throughout the cavity, ideal for multi-shelf cooking. Beautiful to use, the intuitive interface and dial offer simple guided cooking, while Pyrolytic self-cleaning breaks down grime and grease, to keep the oven pristine for the next use.

PRODUCTS

OB30SD17PLX1

Oven, 30", 18 Function, Self-Cleaning, Dial Controls, Stainless Steel

SERIES & STYLE

Series 7
Contemporary

FEATURES

- ① Designed to fit flush with cabinetry
- ② Styled to perfectly match our Contemporary kitchen appliances
- ③ Generous 4.1cu ft total capacity
- ④ Intuitive 2.4" screen with illuminated dial
- ⑤ Perfect results from a variety of oven functions
- ⑥ Even heat distribution throughout with AeroTech™ technology
- ⑦ Pyrolytic self-cleaning function breaks down food residue for an easy clean
- ⑧ CoolTouch door
- ⑩ Wired Temperature Sensor
- ⑪ Wi-Fi/Connected capability

ACCESSORIES

- ① Full-extension sliding shelves*
- ② Self-cleaning-proof side racks*
- ③ Roasting dish, tray and rack*
- ④ Food probe*

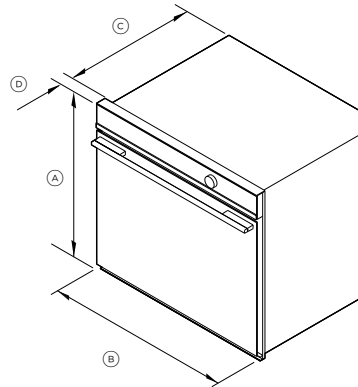
*Included with product

The models shown in this Planning Guide may not be available in all markets and are subject to change at any time. Product specifications may vary from those shown. This Planning Guide should not be used as installation guidance for any product. Further information is required to safely and correctly install the products featured here. Specific installation guidance will be available on our website fisherpaykel.com

SPECIFICATIONS

Model No.	OB30SD17PLX1
Dimensions	H 27 3/16" W 29 15/16" D 24"
Total Oven Capacity	4.1cu ft (115L)
Weight	
Packaged	242lb (110kg)
Electrical	
Supply	208 V or 240 V, 60 Hz
Service	20 A

PRODUCT DIMENSIONS

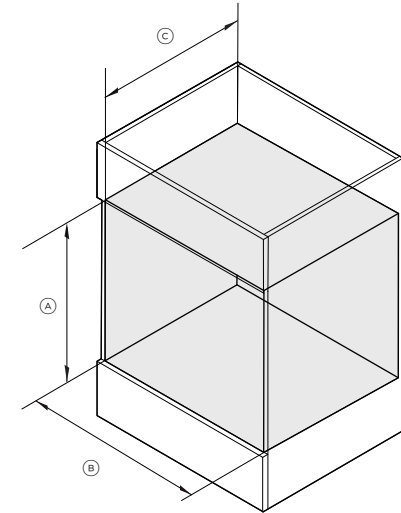


ISO VIEW

	inch	mm
Ⓐ Overall height	27 3/16	690
Ⓑ Overall width	28 15/16	760
Ⓒ Depth of chassis	22 7/16	569
Ⓓ Thickness of oven front and control panel (excl. handle and dials)	1 9/16	40
Depth of door when fully open (measured from front of control panel)	21 11/16	550

NOTE: If installing with other contemporary products, consider trim front thickness.

CAVITY DIMENSIONS: STANDARD INSTALLATION



ISO VIEW

	inch	mm
Ⓐ Minimum inside height of cavity	26 13/16	681
Ⓑ Minimum inside width of cavity	28 1/2	724
Ⓒ Minimum inside depth of cavity for flush installation	24 3/16	615

The models shown in this Planning Guide may not be available in all markets and are subject to change at any time. Product specifications may vary from those shown. This Planning Guide should not be used as installation guidance for any product. Further information is required to safely and correctly install the products featured here. Specific installation guidance will be available on our website fisherpaykel.com



OVERVIEW

Designed to fit seamlessly into any kitchen with Contemporary styling. Achieve perfect results with Aerotech™ technology which circulates heat evenly throughout the cavity, ideal for multi-shelf cooking. Beautiful to use, the intuitive interface and dial offer simple guided cooking, while Pyrolytic self-cleaning breaks down grime and grease to keep the oven pristine for the next use.

PRODUCTS

OB30SD14PLX1

Oven, 30", 18 Function, Self-Cleaning, Dial Controls, Stainless Steel

SERIES & STYLE

Series 7
Contemporary

FEATURES

- ① Designed to fit flush with cabinetry
- ② Styled to perfectly match our Contemporary kitchen appliances
- ③ Generous 4.1cu ft total capacity
- ④ Intuitive 2.4" screen with illuminated dial
- ⑤ Perfect results from a variety of oven functions
- ⑥ Even heat distribution throughout with AeroTech™ technology
- ⑦ Pyrolytic self-cleaning function breaks down food residue for an easy clean
- ⑧ CoolTouch door
- ⑩ Wired Temperature Sensor
- ⑪ Wi-Fi/Connected capability

ACCESSORIES

- ① Full-extension sliding shelves*
- ② Self-cleaning-proof side racks*
- ③ Roasting dish, tray and rack*
- ④ Wired Temperature Sensor*

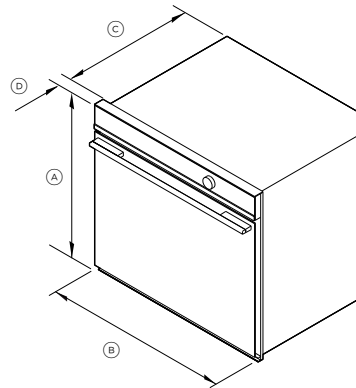
*Included with product

The models shown in this Planning Guide may not be available in all markets and are subject to change at any time. Product specifications may vary from those shown. This Planning Guide should not be used as installation guidance for any product. Further information is required to safely and correctly install the products featured here. Specific installation guidance will be available on our website fisherpaykel.com

SPECIFICATIONS

Model No.	OB30SD14PLX1
Dimensions	H 27 3/16" W 29 15/16" D 24"
Total Oven Capacity	4.1cu ft (115L)
Weight	
Packaged	242lb (110kg)
Electrical	
Supply	208 V or 240 V, 60 Hz
Service	20 A

PRODUCT DIMENSIONS

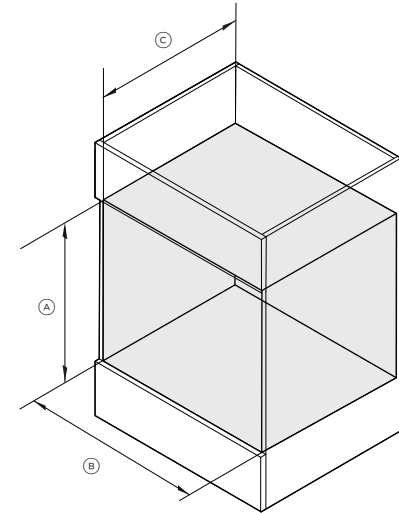


ISO VIEW

	inch	mm
Ⓐ Overall height	27 3/16	690
Ⓑ Overall width	28 15/16	760
Ⓒ Depth of chassis	22 7/16	569
Ⓓ Thickness of oven front and control panel (excl. handle and dials)	1 9/16	40
Depth of door when fully open (measured from front of control panel)	21 11/16	550

NOTE: If installing with other contemporary products, consider trim front thickness.

CAVITY DIMENSIONS: STANDARD INSTALLATION



ISO VIEW

	inch	mm
Ⓐ Minimum inside height of cavity	26 13/16	681
Ⓑ Minimum inside width of cavity	28 1/2	724
Ⓒ Minimum inside depth of cavity for flush installation	24 3/16	615

The models shown in this Planning Guide may not be available in all markets and are subject to change at any time. Product specifications may vary from those shown. This Planning Guide should not be used as installation guidance for any product. Further information is required to safely and correctly install the products featured here. Specific installation guidance will be available on our website fisherpaykel.com



OVERVIEW

With striking Contemporary styling, the Combination Steam Oven fits seamlessly into any kitchen. As a companion product, this oven is designed to install easily and fit perfectly with other companion products such as the Vacuum Seal Drawer. It features 18 functions, including steam-only, convection-only, or a combination of both. Reduce the need for oils and fats with six standalone steam functions, perfect for creating flavourful and healthy restaurant-quality meals at home. Beautiful to use, the 2.4" screen interface has simple and intuitive guided cooking, helping to ensure perfect results.

PRODUCTS

OS30SDLX1

Combination Steam Oven, 30", 18 Function, Dial Controls

SERIES & STYLE

Series 7
Contemporary

FEATURES

- ① Contemporary style, designed to fit flush with cabinetry
- ② Generous 3cu ft total capacity with six shelf positions
- ③ Intuitive 2.4" screen with illuminated dial
- ④ 18 oven functions including six steam-only functions
- ⑤ Moisture control and even heat distribution thanks to ActiveVent and AeroTech™ technology
- ⑥ Water tank capacity of 50.7 fl oz
- ⑦ Wi-Fi/Connected capability through the SmartHQ™ app
- ⑧ Wireless Temperature Sensor precisely monitors cooking in real time. Purchased separately
- ⑩ Soft open and close door

ACCESSORIES

- ① Full-extension sliding shelves*
- ② Step down wire shelf*
- ③ Roasting dish, tray and rack*
- ④ Wired temperature sensor*
- ⑤ Descale solution - 2 sachets, Part 580925

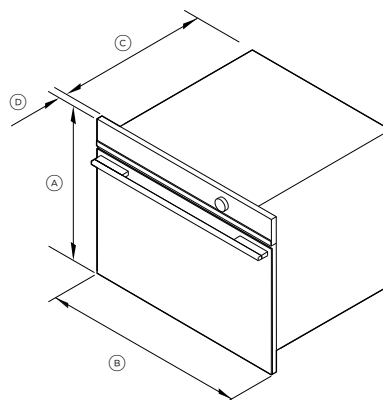
*Included with product

The models shown in this Planning Guide may not be available in all markets and are subject to change at any time. Product specifications may vary from those shown. This Planning Guide should not be used as installation guidance for any product. Further information is required to safely and correctly install the products featured here. Specific installation guidance will be available on our website fisherpaykel.com

SPECIFICATIONS

Model No.	OS30SDLX1
Dimensions	H 23 9/16" W 29 15/16" D 22 1/4"
Total Oven Capacity	3cu ft (85L)
Weight	
Packaged	152lb (69kg)
Unpackaged	119lb (54kg)
Electrical	
Supply	208 V or 240 V, 60 Hz
Service	20 A

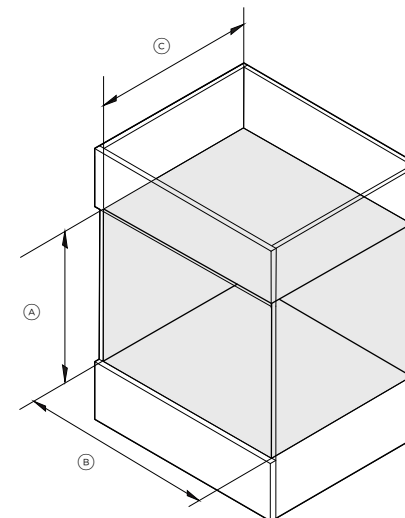
PRODUCT DIMENSIONS



ISO VIEW

	inch	mm
(A) Overall height	23 9/16	598
(B) Overall width	29 15/16	760
(C) Depth of chassis	21 7/16	545
(D) Thickness of oven front and control panel (excl. handle and dials)	13/16	20
Depth of door when fully open (measured from front of control panel)	18 1/8	460

CAVITY DIMENSIONS: STANDARD INSTALLATION



ISO VIEW

	inch	mm
(A) Minimum inside height of cavity	22 13/16	580
(B) Minimum inside width of cavity	28 1/2	724
(C) Minimum inside depth of cavity for flush installation	22 7/16	570

The models shown in this Planning Guide may not be available in all markets and are subject to change at any time. Product specifications may vary from those shown. This Planning Guide should not be used as installation guidance for any product. Further information is required to safely and correctly install the products featured here. Specific installation guidance will be available on our website fisherpaykel.com



OVERVIEW

With timeless Contemporary styling, the Combination Steam Oven fits seamlessly into any kitchen. As a companion product, this oven is designed to install easily and fit perfectly with other companion products such as the Combination Microwave Oven, or Vacuum Seal Drawer. It features 18 functions, including steam-only, convection-only, or a combination of both. Reduce the need for oils and fats with six standalone steam functions, perfect for creating flavorful and healthy restaurant-quality meals at home. Beautiful to use, the 2.4" screen interface has simple and intuitive guided cooking, helping to ensure perfect results.

PRODUCTS

OS30NDLX1

Combination Steam Oven, 30", 18 Function

SERIES & STYLE

Series 7
Contemporary

FEATURES

- ① Contemporary style, designed to fit flush with cabinetry
- ② 1.94cu ft total capacity
- ③ Intuitive 2.4" screen with illuminated dial
- ④ 18 oven functions, including five steam-only functions
- ⑤ Moisture control and even heat distribution thanks to ActiveVent and AeroTech™ technology
- ⑥ Water tank capacity of 50.7 fl oz
- ⑦ Wi-Fi/Connected capability through the SmartHQ™ app
- ⑧ Wireless Temperature Sensor precisely monitors cooking in real time. Purchased separately
- ⑩ Soft open and close door

ACCESSORIES

- ① Full-extension sliding shelves*
- ② Step down wire shelf*
- ③ Roasting dish, tray and rack*
- ④ Wired Temperature Sensor*
- ⑤ Descale solution - 2 sachets, Part 580925

*Included with product



The models shown in this Planning Guide may not be available in all markets and are subject to change at any time. Product specifications may vary from those shown. This Planning Guide should not be used as installation guidance for any product. Further information is required to safely and correctly install the products featured here. Specific installation guidance will be available on our website fisherpaykel.com



OVERVIEW

With timeless Contemporary styling, the Convection Speed Oven fits seamlessly into any kitchen. As a companion product, this Speed Oven is designed to install easily and fit perfectly with other companion products such as the Combination Steam Oven, or Vacuum Seal Drawer. A flexible appliance that pairs the speed of microwave cooking with oven technology, which can crisp and brown as it cooks. Featuring 19 cooking functions on an intuitive touch display for easy programming of desired cooking mode and duration.

FEATURES

- ① Contemporary style, designed to fit flush with cabinetry
- ② 1.94cu ft total capacity
- ③ Intuitive 2.4" screen with illuminated dial
- ④ Choose from 19 cooking modes including True Convection and Broil
- ⑤ Wi-Fi/Connected capability through the SmartHQ™ app
- ⑥ Soft open and close door

PRODUCTS

OM30NDLX1

Convection Speed Oven, 30", 19 Function

ACCESSORIES

- ① Chromed shelf runners*
- ② Glass tray*
- ③ Wire shelf*
- ④ Wired Temperature Sensor*

*Included with product

SERIES & STYLE

Series 7
Contemporary

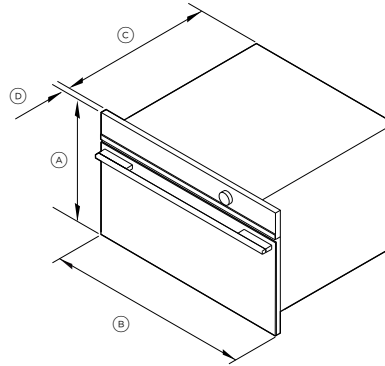


The models shown in this Planning Guide may not be available in all markets and are subject to change at any time. Product specifications may vary from those shown. This Planning Guide should not be used as installation guidance for any product. Further information is required to safely and correctly install the products featured here. Specific installation guidance will be available on our website fisherpaykel.com

SPECIFICATIONS

Model No.	OS30NDLX1, Combination Steam Oven OM30NDLX1, Convection Speed Oven
Dimensions	H 18" W 29 15/16" D 22 1/4"
Total Oven Capacity	
OS30NDLX1	1.94cu ft (55L)
OM30NDLX1	1.73cu ft (49L)
Weight	
Packaged	121lb (55kg)
Unpackaged	101lb (46kg)
Electrical	
Supply	208 V or 240 V, 60 Hz
Service	20 A

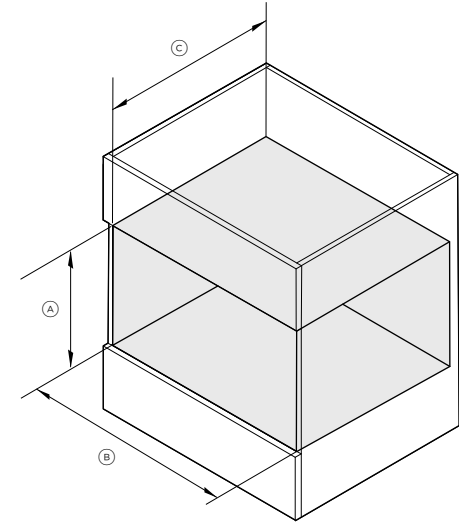
PRODUCT DIMENSIONS



ISO VIEW

	inch	mm
(A) Overall height	18	458
(B) Overall width	29 15/16	760
(C) Depth of chassis	21 7/16	545
(D) Thickness of oven front and control panel (excl. handle and dials)	13/16	20
Depth of door when fully open (measured from front of control panel)	12 5/8	320

CAVITY DIMENSIONS: STANDARD INSTALLATION



ISO VIEW

	inch	mm
(A) Minimum inside height of cavity	17 5/16	440
(B) Minimum inside width of cavity	28 1/2	724
(C) Minimum inside depth of cavity for flush installation	22 7/16	570

Note: Convection Speed Oven requires ventilation at the rear of the cavity.

The models shown in this Planning Guide may not be available in all markets and are subject to change at any time. Product specifications may vary from those shown. This Planning Guide should not be used as installation guidance for any product. Further information is required to safely and correctly install the products featured here. Specific installation guidance will be available on our website fisherpaykel.com

