

Integrated Refrigerator Freezer, 24"

Series 7 | Integrated

Panel Ready | Reversible hinge

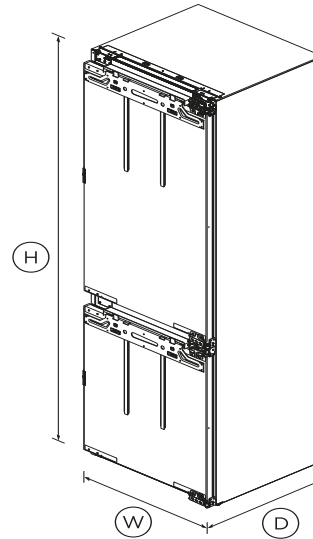


Integrates seamlessly into surrounding cabinetry with a flush fit, and a reversible hinge to suit your kitchen design.

- Customize with your own kitchen cabinetry or purchase our stainless steel door panel
- Spacious bottom freezer with easy-slide internal drawers to separate storage
- With an independently operating Variable Temperature drawer, which you can set to a temperature between 23°F and 37°F.
- 8 cu ft total capacity

DIMENSIONS

Height	69 3/4"
Width	21 7/8"
Depth	21 1/4"



FEATURES & BENEFITS

No More Gaps

Our integrated products are designed to fit flush into your cabinetry. Customize your appliance with your own cabinetry and handle or purchase a stainless steel door panel and handle kit accessories.

Variable Temperature Drawer

Designed to allow optimal storage of fresh meat, produce, deli and dairy products at their ideal temperatures. Operating separately from the refrigerator and freezer, the drawer operates

from 23°F and 37°F, with 37°F ideal for fruit and vegetables, 30°F perfect for fresh meats, and 23°F for fast chilling - keeping your food fresher for longer.

Simple Storage

This refrigerator is designed to make it simple for you to store, access and remove food. Storage bins give you full access inside when they're pulled open and can be easily removed to clean. Adjustable shelving in the main cavity and door provide flexible storage options.

Fast Freezing

When freezing fresh food, the freshness, texture and taste are retained with rapid freezing. The Fast Freeze function boosts the freezing speed by dropping the freezer to its coldest temperature (11°F) for 12 hours ensuring food is fast and fully frozen. Plus, you never need to worry about defrosting your refrigerator with the built-in frost-free function.

Beautiful Lighting

Bright LEDs light up the ceiling, shelves, bins and tray in both refrigerator and freezer, making it easy to find your food and creating a welcoming glow in your kitchen for those midnight snacks.

Easy installation

Our integrated products are easy to install, whether you are renovating your kitchen or designing a new one. They are designed for minimal gaps with adjustable door panels that can be customized to match your kitchen.

Easy Cleaning

Spill-safe secure glass shelves easily capture any drips or leaks and prevent them from falling on items below.

SPECIFICATIONS

Accessories (sold separately)

Door panel set stainless steel (Left Hinge) RD2470BL, (Right Hinge) RD2470BR
 Handle kit Contemporary AHS-RD70B

Handle kit Contemporary **AHD3-RD70B**

Capacity

Total gross capacity **8cu ft**
 Volume freezer **2.19cu ft**
 Volume refrigerator **5.76cu ft**

Consumption

Energy rating **Energy star**
 Energy usage **380kWh/year**

Features

Adjustable door shelves **3**
 Adjustable glass cantilevered **•**
 Adjustable glass shelves **2**
 Covered door shelves **2**
 Door alarm **•**
 Egg Trays **2**
 Fruit and vegetable bins **2**
 LED lighting **•**
 Rapid cool function **•**
 SmartTouch control panel **•**
 Variable temperature drawer **•**

Freezer Features

Fast freeze **•**
 Freezer temperature range **-11°F to +5°F / -24°C to -15°C**

Performance

Frost free freezer **•**

Inverter controlled compressor **•**
 Sabbath mode **•**
 Variable temperature **•**

Power requirements

Rated current **10A**
 Supply frequency **60Hz**
 Supply voltage **120V**

Product dimensions

Depth **21 1/4"**
 Height **69 3/4"**
 Width **21 7/8"**

Product information

Unpackaged weight **165lbs**

Warranty

Parts and labour **2 years**
 Sealed system parts only **5 years**

SKU **25381**

The product dimensions and specifications in this page apply to the specific product and model. Under our policy of continuous improvement, these dimensions and specifications may change at any time. You should therefore check with Fisher & Paykel's Customer Care Centre to ensure this page correctly describes the model currently available. Fisher & Paykel Appliances Ltd 2020

Where applicable:

All appliances use energy, and energy usage typically generates carbon emissions. **Fisher & Paykel Appliances' In-use Energy Carbon Emissions Estimate** indicates carbon emissions from a product's in-use energy. This is calculated either annually or per cycle, using the product's market-specific energy label energy consumption data multiplied by the carbon emissions factor for energy in your country or region.

Our In-use Energy Carbon Emissions Estimate is designed to assist customers in making informed purchasing decisions when comparing different Fisher & Paykel products. For example, a heat pump dryer typically has a lower In-use Energy Carbon Emissions Estimate than a vented dryer.

Other product downloads available at fisherpaykel.com



User Guide EN / Guide d'utilisation FR



Service & Warranty



Energy Label Integrated Fridge Freezer



Guide d'installation FR



Installation Guide EN



Guide d'installation FR



Guide d'installation - Instructions de Remplacement du
Filtre à Eau FR



A PEACE OF MIND SALE

24 Hours 7 Days a Week Customer Support

T 1.888.936.7872 **W**www.fisherpaykel.com