

# Freestanding French Door Refrigerator Freezer, 32", 17 cu ft, Ice & Water

Series 7 | Contemporary

Stainless Steel | French hinge

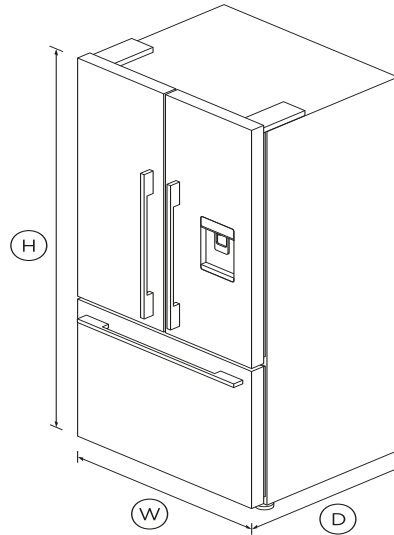


Designed for those who need plenty of flexible space for their cold and frozen food storage, with a stylish stainless steel finish.

- ActiveSmart™ helps keep food fresher for longer
- Bottom freezer drawer
- Brushed metal handles

## DIMENSIONS

Height	67 3/4"
Width	31 1/8"
Depth	27 3/8"



## FEATURES & BENEFITS

### ActiveSmart™ Foodcare

ActiveSmart™ Foodcare learns how you live. It's technology which understands how you use your refrigerator and adjusts temperature, airflow and humidity inside to help keep food fresher for longer.

### Design Quality

Our refrigerators are designed and built using quality materials. We use real stainless steel on our refrigerators and solid glass for shelving.

### WATER ON TAP

The slimline dispenser makes it easy to fill almost any sized jug or vessel with cool filtered water and doesn't take up any storage space in your refrigerator.

### Clever Energy

Your refrigerator adapts to daily use by cooling and defrosting only when needed. This means your refrigerator uses the energy it needs without compromising on food care.

### ICE MAKER

Fresh ice is always available for you in a dedicated freezer bin. Simply turn it off to free up freezer space or during busy times, you can boost ice production by up to 30%.

### Humidity Control

Your fruit and veges need different environments. The humidity control slides in each storage bin create a microclimate that helps keep food fresher for longer.

### Easy Cleaning

No more permanent dirty marks with our EZKleen feature for stainless steel refrigerators. Anti-fingerprint coating means you simply wipe clean any marks. Spill-safe secure glass shelves easily capture any drips or leaks.

## SPECIFICATIONS

### Accessories (sold separately)

Handle kit Contemporary	25376
Water filter replacement	847200 - FWC3

### Capacity

Total gross capacity	16.9cu ft
Volume freezer	4.8cu ft
Volume refrigerator	12.1cu ft

**Consumption**

Energy rating	<b>Energy star</b>
Energy usage	<b>448kWh/year</b>
In-use energy carbon	<b>55.2kgCO2e/year</b>

**Features**

Adjustable door shelves	<b>8</b>
Adjustable glass shelves	<b>3</b>
Covered door shelves	<b>2</b>
Door alarm	<b>•</b>
Fruit and vegetable bins	<b>2</b>
LED lighting	<b>•</b>
SmartTouch control panel	<b>•</b>
Soft close doors	<b>•</b>
Stackable bottle holders	<b>4</b>
Ultra slim water dispenser	<b>•</b>
Water Filter	<b>Part number 836848</b>
Wi-Fi connectivity	<b>•</b>

**Freezer Features**

Automatic ice maker	<b>•</b>
Bottle chill	<b>•</b>
Fast freeze	<b>•</b>
Ice Boost	<b>•</b>

**Performance**

ActiveSmart™ Foodcare	<b>•</b>
Adaptive defrost	<b>•</b>
Frost free freezer	<b>•</b>
Humidity control system	<b>•</b>

Sabbath mode **•**

**Product dimensions**

Depth	<b>27 3/8"</b>
Height	<b>67 3/4"</b>
Minimum air clearance - at rear	<b>1 3/16"</b>
Minimum air clearance - each	<b>1 3/16"</b>
Width	<b>31 1/8"</b>

**Warranty**

Parts and labour	<b>2 years</b>
Sealed system parts and labor	<b>additional 3 years</b>

SKU **26281**

The product dimensions and specifications in this page apply to the specific product and model. Under our policy of continuous improvement, these dimensions and specifications may change at any time. You should therefore check with Fisher & Paykel's Customer Care Centre to ensure this page correctly describes the model currently available. Fisher & Paykel Appliances Ltd 2020

**Where applicable:**

All appliances use energy, and energy usage typically generates carbon emissions. **Fisher & Paykel Appliances' In-use Energy Carbon Emissions Estimate** indicates carbon emissions from a product's in-use energy. This is calculated either annually or per cycle, using the product's market-specific energy label energy consumption data multiplied by the carbon emissions factor for energy in your country or region.

Our In-use Energy Carbon Emissions Estimate is designed to assist customers in making informed purchasing decisions when comparing different Fisher & Paykel products. For example, a heat pump dryer typically has a lower In-use Energy Carbon Emissions Estimate than a vented dryer.

**Other product downloads available at fisherpaykel.com**

- [↓](#) User Guide
- [↓](#) Guide d'utilisation FR
- [↓](#) Energy Label
- [↓](#) Service & Warranty
- [↓](#) Installation Guide
- [↓](#) Guide d'installation FR
- [↓](#) Water Filter Replacement Instructions & Installation Guide EN
- [↓](#) Guide d'installation - Instructions de Remplacement du Filtre à Eau FR
- [↓](#) Installation Guide - Quick Reference EN
- [↓](#) Data Sheet Freestanding French Door Fridge Freezer



**A PEACE OF MIND SALE**

**24 Hours 7 Days a Week Customer Support**

**T 1.888.936.7872 Wwww.fisherpaykel.com**