

# FISHER & PAYKEL

## PRELIMINARY SPECIFICATION GUIDE

## CONVECTION SPEED OVEN, 24"



### OVERVIEW

With timeless Contemporary styling, the Convection Speed Oven is designed to fit seamlessly into any kitchen. A flexible appliance that pairs the speed of speed cooking with oven technology, which can crisp and brown as it cooks. Featuring 22 cooking functions on an intuitive touch display for easy programming of desired cooking mode and duration. A Wired Temperature Sensor monitors cooking in real time for complete control.

\*Selected markets and models

### MODELS

#### Convection Speed Oven, 24"

Stainless Steel, Dial  
OM24NDLX1

### SERIES & STYLE

Series 7  
Contemporary

### ACCESSORIES

- 1 Wire Shelves
- 2 Microwave glass dish
- 3 Wired Temperature Sensor



### FEATURES

- 1 Contemporary style, designed to fit flush with cabinetry
- 2 Compact size for smaller kitchens, and generous 49L capacity with 4 shelf positions to cook for everyday's needs
- 3 Intuitive, 2.4" display with illuminated dial
- 4 The benefits of both microwave and convection oven cooking in one
- 5 19 cooking functions, including 11 traditional convection functions, 4 microwave-only functions, and 4 microwave combination functions
- 6 Guided cooking makes it simple to cook by food and function
- 7 Inverter technology for fast and even heating, and quiet product operation
- 8 Wi-Fi/Connected capability through the SmartHQ™ app\*

\*Selected markets and models

# FISHER & PAYKEL

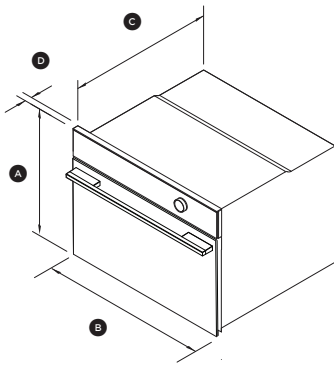
## PRELIMINARY SPECIFICATION GUIDE

## CONVECTION SPEED OVEN, 24"

### SPECIFICATIONS

Model No.	OM24NDLX1
Dimensions	H 18" W 23 7/16" D 22 1/4"
Total capacity	1.7 cu ft
Weight	38 kg (unpackaged) 46 kg (packaged)
Electrical	
Supply	208-240VAC, 60Hz
Service	max 25A circuit

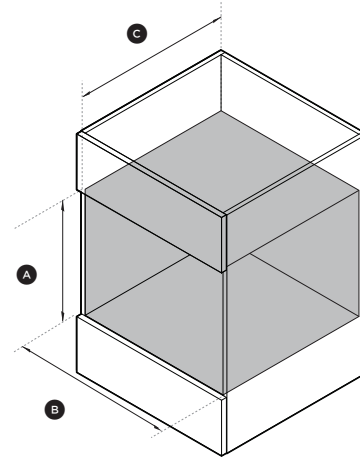
### PRODUCT DIMENSIONS



ISO VIEW

	inch
(A) Overall height	18
(B) Overall width	23 7/16
(C) Depth of chassis	21 7/16
(D) Depth from front frame (excludes dial and handle)	13/16
Depth of oven door when fully open (measured from front of control panel)	12 5/8

### CAVITY DIMENSIONS



ISO VIEW

	inch
(A) Minimum inside height	17 5/16
(B) Minimum inside width	22 1/16
(C) Minimum inside depth	21 5/8