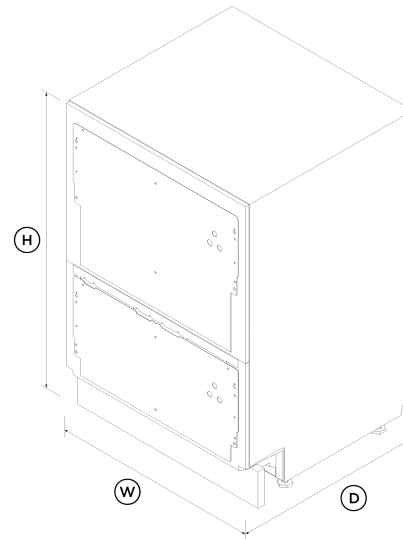


Series 11, Integrated Tall Double DishDrawer Dishwasher

- Wi-Fi capability and a SmartHQ™ app for remote control and notifications

DIMENSIONS

Height	34 - 36 3/8 "
Width	23 9/16 "
Depth	22 1/2 "



FEATURES & BENEFITS

Seamless Integration

Install your DishDrawer™ Dishwasher into an existing kitchen space or integrate into kitchen cabinetry. The touch-sensitive control panel is located inside this Integrated model, leaving an uninterrupted exterior that blends seamlessly with surrounding cabinetry.

Ease Of Use

DishDrawer™ Dishwashers are beautiful to use with soft-close drawers. The tall top drawer fits your larger plates and dishes up to 12 1/4 inches, while the bottom drawer is ideal for small washes. Flexible racking includes height-adjustable cup racks and wine glass supports.

True Half Load

Both drawers fit a true half load. Each drawer operates independently, so you can wash one load while stacking the other drawer, or wash simultaneously on separate cycles.

Flexible Wash Options

Eight wash programs including Auto, 60min and Glassware, while modifiers such as Sanitize, Dry+ and Quiet provide added wash flexibility. The Quiet wash modifier reduces the noise on some cycles while maintaining performance - perfect for late night washing.

Design Quality

Every detail has been carefully crafted using quality materials, from the easy-to-clean stainless steel interior to the spray arm sensor that detects jams for increased wash confidence.

Knock To Pause

For ease-of-use, these DishDrawer™ Dishwashers have a knock to pause function. A knock on the front panel will pause the dishwasher, which can be restarted by using the start button.

Quiet Performer

Running at a low decibel rating of 44dBA, these DishDrawer™ Dishwashers do their job without making a fuss. The combination of intelligent technology and simple mechanics means greater reliability and excellent wash performance.

SPECIFICATIONS

Accessories (included)

Integrated



<p>Integrates seamlessly into kitchen cabinetry. Each drawer features a premium stainless steel interior and operates independently, for flexible washing.</p>

- Eight wash cycles from Heavy to Light, including Auto, 60min and Glassware
- Tall top drawer fits full-size dinner plates up to 12 1/4 inches, with flexible racking for large cookware
- With soft-close drawers, and knock to pause convenience

Cutlery basket	•
Kickstrip	true
Knife clip and multipurpose clip	•

Wine glass supports with stemware grippers	•
--	---

Flood protection	•
------------------	---

Flow through detergent dispenser	•
----------------------------------	---

Internal tub material	Stainless steel
-----------------------	------------------------

Motor type	BLDC
------------	-------------

Quiet operation	•
-----------------	---

SmartDrive™ technology	•
------------------------	---

Soft close drawer	•
-------------------	---

Accessories (sold separately)

Door panel recessed handle matte black glass	ADDD24DTZB
--	-------------------

Door panel recessed handle stainless steel	ADDD24DTNX
--	-------------------

Door panel stainless steel	ADDD24DTPX
----------------------------	-------------------

Handle kit Classic	AHCL-DDDW-24X
--------------------	----------------------

Handle kit Contemporary round, aluminium	AHS-OBDD-60S
--	---------------------

Handle kit Contemporary square fine, aluminium	AHD5-OBDD-60SX
--	-----------------------

Handle kit Contemporary square fine, black	AHD5-OBDD-60SB
--	-----------------------

Handle kit Professional round flush	AHP3-DWDD-SX
-------------------------------------	---------------------

Handle kit Professional round flush, Brass off-stands	AHP3DDDW24BA
---	---------------------

Handle kit Professional round flush, Dark Copper off-stands	AHP3DDDW24DC
---	---------------------

Connected Features

Alerts and notifications	•
--------------------------	---

Education and onboarding	•
--------------------------	---

Monitoring	•
------------	---

Software updates	•
------------------	---

Consumption

Energy usage	239kWh/year
--------------	--------------------

In-use energy carbon emissions estimate	84.3kgCO2e/year
---	------------------------

Water usage (per wash cycle)	3.7 gal
------------------------------	----------------

Performance

Noise on standard cycle top drawer	44 dBA
------------------------------------	---------------

Power Requirements

Amperage	10A
----------	------------

Rated current	15 A
---------------	-------------

Supply frequency	60Hz
------------------	-------------

Supply voltage	100 - 120V
----------------	-------------------

Capacity and loading

Accommodates round plates up to (lower drawer)	11"
--	------------

Accommodates round plates up to (upper drawer)	12.25"
--	---------------

Adjustable height, foldable cupracks	•
--------------------------------------	---

Fold down tines	•
-----------------	---

Pitch adjustable tines	•
------------------------	---

Place settings	14
----------------	-----------

Place settings	14
----------------	-----------

Place settings per drawer	7
---------------------------	----------

Controls

Electronic fault/Diagnostic indicator	•
---------------------------------------	---

End of cycle beeps	•
--------------------	---

Energy saving delay start option of up to 12 hours	•
--	---

Internal wash selector	•
------------------------	---

Keylock	•
---------	---

Knock to pause	•
----------------	---

Rinse aid indicator light	•
---------------------------	---

Smart appliance	•
-----------------	---

Spray arm sensing	•
-------------------	---

Features

Built-in water softener	•
-------------------------	---

Fan assisted drying	•
---------------------	---

Product Dimensions

Depth	22 1/2 "
-------	-----------------

Height	34 - 36 3/8 "
--------	----------------------

Width	23 9/16 "
-------	------------------

Wash Program Modifiers

Dry +	•
-------	---

Quiet	•
-------	---

Sanitise	•
----------	---

Wash modifiers	3
----------------	----------

Wash Programs

60 min	•
Auto	•
Eco	•
Glassware	•
Heavy	•
Light	•
Medium	•
Rinse	•
Wash programs	8

Water connection

Inlet water temperature	max 140 °F	
Supplied hose to suit 3/8" (9mm) male compression fitting		•
Water pressure	100kPa - 1000kPa	
Water supply	3/8" to suit Male Compression Fitting	

SKU 82163

The product dimensions and specifications in this page apply to the specific product and model. Under our policy of continuous improvement, these dimensions and specifications may change at any time. You should therefore check with Fisher & Paykel's Customer Care Centre to ensure this page correctly describes the model currently available. © Fisher & Paykel Appliances Ltd 2020

Other product downloads available at fisherpaykel.com

- [↓ Wash Program Data \(English\)](#)
- [↓ DXF](#)
- [↓ Archicad](#)
- [↓ DWG](#)
- [↓ Energy Label](#)
- [↓ Installation Guide \(English\)](#)
- [↓ Installation Guide \(Canadian French\)](#)
- [↓ Installation Guide \(Spanish\)](#)
- [↓ Planning Guide \(English\)](#)
- [↓ Planning Guide \(Canadian French\)](#)
- [↓ Planning Guide \(Spanish\)](#)
- [↓ California Warning Proposition 65 \(English, Spanish, Canadian French, Chinese\)](#)
- [↓ Revit](#)
- [↓ Rhino](#)
- [↓ Right To Repair Declaration \(English, Canadian French\)](#)
- [↓ SketchUp](#)
- [↓ User Guide \(English\)](#)
- [↓ User Guide \(Canadian French\)](#)
- [↓ Wash Program Data \(English\)](#)

Where applicable:

All appliances use energy, and energy usage typically generates carbon emissions. **Fisher & Paykel Appliances' In-use Energy Carbon Emissions Estimate** indicates carbon emissions from a product's in-use energy. This is calculated either annually or per cycle, using the product's market-specific energy label energy consumption data multiplied by the carbon emissions factor for energy in your country or region.

Our In-use Energy Carbon Emissions Estimate is designed to assist customers in making informed purchasing decisions when comparing different Fisher & Paykel products. For example, a heat pump dryer typically has a lower In-use Energy Carbon Emissions Estimate than a vented dryer.



A PEACE OF MIND SALE
 24 Hours 7 Days a Week Customer Support
 T 1.888.936.7872 W www.fisherpaykel.com