

Freestanding Cooker, Induction, 90cm, 5 Zones with SmartZone, Self-cleaning

Series 9 | Contemporary

Stainless Steel



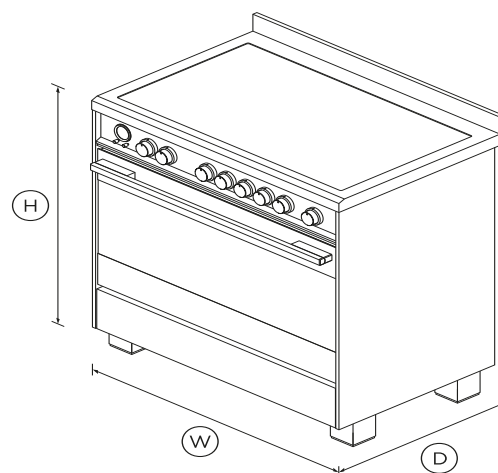
With a large oven and cooktops that can be paired to create an expansive cook zone, this is the perfect choice for those who love to cook.

- Five cooking zones, with the ability to pair zones to create SmartZones
- Convection oven with 140L total capacity and nine oven functions including Pastry Bake with pizza mode and rapid proof for making bread
- Non-tip full-extension shelves for safe removal of hot dishes

- Pyrolytic self-clean breaks down food residue at a very high temperature, leaving a light ash that's easily removed with a damp cloth

DIMENSIONS

Height	898 - 946mm
Width	897mm
Depth	600mm



FEATURES & BENEFITS

MULTI-SHELF COOKING

Our AeroTech™ system circulates heat evenly for a consistent temperature throughout the cavity, helping you achieve perfect results even when using multiple shelves.

QUALITY AND DURABILITY

Every detail has been carefully crafted. The solid, perfectly balanced soft-close door, durable cooktop and glowing halo dials all add up to an exceptional, premium freestanding cooker.

POWER & CONTROL

Instant and immediate control from the highest to the gentlest heat. The finely tuned cooktop controls let you sear or simmer a delicate sauce to perfection.

EASY CLEANING

Cleaning up spills is effortless. Your cooktop simply needs a quick wipe to keep it looking good as new. The pyrolytic self-clean oven cycle breaks down food residue at a very high temperature, leaving a light ash that's easily removed with a damp cloth.

EVEN HEAT

Accurate, electronically-controlled oven heat ensures a great result every time.

LARGE CAPACITY OVEN

The generous 140L total capacity oven gives you plenty of space to cook multiple dishes at once.

SPECIFICATIONS

Accessories

Flat wire shelf	1
Full Extension Telescopic	2 sets (part 578744)
Full extension sliding shelves	2 sets (part 578744)
Grill rack	•
Kick strip, stainless steel	KICKOR90X1
Roasting dish	1
Rotisserie set	1 set
Step down wire shelf	•

Capacity

Capacity usable	121L
Shelf positions	6
Shelf positions	6
Total capacity	140L
Usable capacity	121L

Cleaning

Acid resistant graphite enamel	•
Drop down grill element	•
Flat easy clean glass surface	•
Pyrolytic proof shelf runners	•
Pyrolytic self-clean	•
Removable oven door	•
Removable oven door inner	•
Removable shelf runners	•

Controls

Audio feedback	•
Automatic cooking/minute	•
Automatic pre-set	•
Celsius/Fahrenheit	•
Electronic clock	•
High resolution display	•
Laser etched graphics	•
Precise electronic temperature	•
Sabbath mode	•
Toughened fused glass	•
Turned stainless steel clock	•
Turned stainless steel clock	•
Turned stainless steel dials	•

Oven features

AeroTech™ technology	•
Automatic rapid pre-heat	•
Electronic oven control	•
Full extension telescopic	•
Internal light	4 x 25W halogen (2 side & 2
Soft open/close door	•
True convection	•
Twin cavity fans	•
Warming drawer	•

Oven functions

Bake	•
Fan bake	•
Fan forced	•
Fan grill	•
Grill	•
Number of functions	9
Pastry Bake with Pizza mode	•
Rapid proof	•
Roast	•
Rotisserie	•
True convection	•

Oven performance

CoolTouch door	Quadruple glazed
Warming drawer power	202W

Power requirements

Amperage	68A
Supply frequency	50Hz

Product dimensions

Depth	600mm
Height	898 - 946mm
Width	897mm

Cooktop Features

Auto heat reduce	•
Dual colour display	•
Gentle heat	•
Heat settings	9
Induction cooking technology	•
SmartZone	1
Zone bridging	•

Cooktop Performance

Centre	2300W
Left front zone rating	1600 (1850)W
Left rear zone rating	2100 (3000)W
Number of cooking zones	5
PowerBoost	•
PowerBoost all zones	up to 3000W
Right front zone rating	1600 (1850)W
Right rear zone rating	2100 (3000)W

Safety

Advanced cooling system	•
Anti-tilt bracket	•

- Balanced oven door
- Catalytic venting system
- Child lock
- CoolTouch door
- Full extension telescopic
- Non-tip shelves
- Pan detection system
- Safety time out
- Spillage auto off
- Surface hot indicators

SKU

81692

The product dimensions and specifications in this page apply to the specific product and model. Under our policy of continuous improvement, these dimensions and specifications may change at any time. You should therefore check with Fisher & Paykel's Customer Care Centre to ensure this page correctly describes the model currently available. ? Fisher & Paykel Appliances Ltd 2020

Other product downloads available at fisherpaykel.com

- [↓](#) Service & Warranty
- [↓](#) User Guide
- [↓](#) Installation Guide - Kick Strip
- [↓](#) Installation Guide Freestanding Cooker

**A PEACE OF MIND SALE****24 Hours 7 Days a Week Customer Support****T 0800 372 273 W www.fisherpaykel.com**