

24" Series 9 Minimal Compact Convection-Speed Oven

Minimal

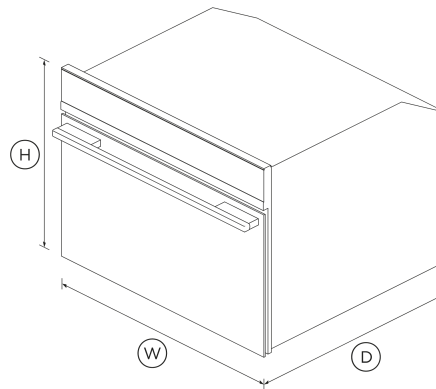


The perfect addition to the kitchen, this Convection Speed Oven provides a variety of fast cooking options including True Convection and Broil.

- 1.3 cu ft total capacity
- Intuitive display with nine oven functions
- Full width grill function
- Easy clean interior

DIMENSIONS

Height	18 1/16 "
Width	23 1/2 "
Depth	22 1/8 "



FEATURES & BENEFITS

Sized To Suit

This compact 24" Convection Speed Oven can be placed almost anywhere. Companion products share the same dimensions and can be installed in multiple configurations to suit your kitchen design and preference.

Cooking Flexibility

Choose from nine cooking modes including True Convection and Broil. With both microwave and convection oven technology in the same oven, you have more flexibility for your culinary creations.

Easy To Use

The intuitive touch display shows you all the information you need, allowing you to easily program in your desired cooking mode and duration.

Beauty Of Choice

With the choice of a stylish stainless steel or elegant black trim, our Companion products help you achieve a coherent kitchen aesthetic that suits your design style.

Easy Cleaning

This Convection Speed Oven has formed side racks and a stainless steel interior that are easy to clean.

Safe And Sound

The CoolTouch door is safe to touch from the outside, protecting your hands and the surrounding cabinetry.

SPECIFICATIONS

Accessories (included)

Baking pan	1
Glass turntable	1
Wire shelf	1

Accessories (sold separately)

Optional lower trim kit	Part 81662
-------------------------	------------

Capacity

Shelf positions	3
Total capacity	1.3 cu ft
Usable capacity	1.2 cu ft

Cleaning

Easy clean stainless steel interior	•
Easy to clean formed side racks	•

Consumption

Microwave energy consumption	1.65 kWh
------------------------------	----------

Controls

Audio feedback	•
Automatic cooking/minute timer	•
Celsius/Fahrenheit temperature	•
Electronic capacitive touch controls	•
Electronic oven control	•
Intuitive touchscreen display	•
True convection oven	•

Functions

Broil	•
Broil + microwave	•
Convection Broil	•
Defrost by time	•
Defrost by weight	•
Microwave + ring	•

Microwave cooking	•
Number of functions	9
Ring + broil	•
True convection	•

Performance

Broil power	1500 W
Grill power	1500 W
Microwave power	900 W
Microwave power levels	6

Power Requirements

Amperage	15 A
Supply frequency	60 Hz
Supply voltage	208 - 240 V

Product Dimensions

Depth	22 1/8 "
Height	18 1/16 "
Width	23 1/2 "

Safety

ADA compliant	•
Control panel key lock	•
CoolTouch door	•

SKU 81926

The product dimensions and specifications in this page apply to the specific product and model. Under our policy of continuous improvement, these dimensions and specifications may change at any time. You should therefore check with Fisher & Paykel's Customer Care Centre to ensure this page correctly describes the model currently available. © Fisher & Paykel Appliances Ltd 2020

Other product downloads available at fisherpaykel.com

- [↓](#) DWG
- [↓](#) DWG
- [↓](#) DWG
- [↓](#) DXF
- [↓](#) DXF
- [↓](#) DXF
- [↓](#) Archicad
- [↓](#) Archicad - 24" Trim
- [↓](#) Archicad - 30" Trim
- [↓](#) Data Sheet - 30" Trim (English)
- [↓](#) Data Sheet - Bottom Trim (English)
- [↓](#) Data Sheet (English)
- [↓](#) Installation Guide (English)
- [↓](#) Installation Guide (Canadian French)
- [↓](#) Installation Guide - Cavity Trim Kit (English)
- [↓](#) Revit
- [↓](#) Revit - 24" Trim
- [↓](#) Revit - 30" Trim
- [↓](#) Rhino
- [↓](#) Rhino - 24" Trim
- [↓](#) Rhino - 30" Trim
- [↓](#) Right To Repair Declaration (English, Canadian French)
- [↓](#) SketchUp

- [↓ SketchUp - 24" Trim](#)
- [↓ SketchUp - 30" Trim](#)
- [↓ User Guide \(English\)](#)

Where applicable:

All appliances use energy, and energy usage typically generates carbon emissions. **Fisher & Paykel Appliances' In-use Energy Carbon Emissions Estimate** indicates carbon emissions from a product's in-use energy. This is calculated either annually or per cycle, using the product's market-specific energy label energy consumption data multiplied by the carbon emissions factor for energy in your country or region.

Our In-use Energy Carbon Emissions Estimate is designed to assist customers in making informed purchasing decisions when comparing different Fisher & Paykel products. For example, a heat pump dryer typically has a lower In-use Energy Carbon Emissions Estimate than a vented dryer.



A PEACE OF MIND SALE
24 Hours 7 Days a Week Customer Support
T 1.888.936.7872 W www.fisherpaykel.com