

# Combination Microwave Oven, 60cm

Series 9 | Minimal

Black

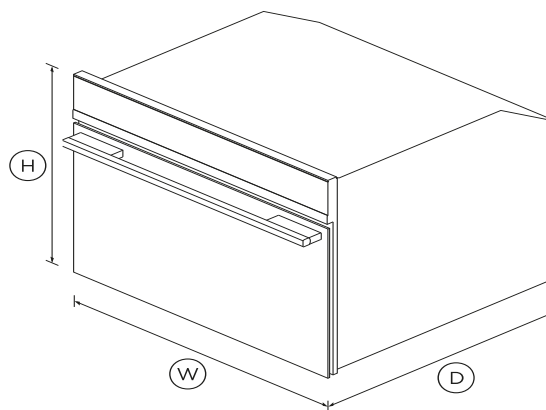


A flexible appliance that pairs the speed of microwave cooking with oven technology, which can crisp and brown as it cooks.

- 37L total capacity
- Nine cooking functions including Fan Forced, Fan Grill & Defrost
- Use the optional trim kit to integrate this microwave with your cabinetry
- Part of our suite of companion products, designed to match aesthetically for flexible configurations

## DIMENSIONS

Height	458 mm
Width	596 mm
Depth	562 mm



## FEATURES & BENEFITS

### Sized to suit

A compact 46cm height means this Combination Microwave Oven can be placed almost anywhere. The companion products share the same dimensions and can be installed in multiple configurations to suit your kitchen design and preference.

### Cooking flexibility

Choice of nine cooking modes including Fan Forced and Grill giving you the best of microwave and convection oven technology.

### Easy to use

The intuitive touch display shows you all the information you need, allowing you to easily program in your desired cooking mode and duration.

### Beauty of choice

With the choice of a stylish stainless steel or elegant black trim, our companion products help you achieve a coherent kitchen aesthetic that suits your design style.

### Easy cleaning

This Combination Microwave Oven has formed side racks and a stainless steel interior that are easy to clean.

### Safe and sound

The CoolTouch door is safe to touch from the outside, protecting your hands and the surrounding cabinetry.

## SPECIFICATIONS

### Accessories

Baking pan	•
Glass turntable	•
Optional 76cm trim kit	<b>Part 81940</b>
Optional lower trim kit	<b>Part 81622 (478mm)</b>
Turntable wire stand	•
Wire shelf	•

### Capacity

Shelf positions	<b>3</b>
Total capacity	<b>37L</b>
Usable capacity	<b>33L</b>

### Cleaning

Easy clean stainless steel	•
----------------------------	---

Easy to clean formed side •

**Consumption**

Microwave energy **1.65kWh**

**Controls**

- Audio feedback •
- Automatic cooking/minute •
- Celsius/Fahrenheit •
- Electronic capacitive touch •
- High resolution touch display •
- Interior light **25W Halogen**
- Intuitive information display •
- Multi-language display •
- Precise electronic temperature •

**Functions**

- Defrost by time •
- Defrost by weight •
- Fan forced •
- Fan grill •
- Grill •
- Microwave + grill •
- Microwave + ring •
- Microwave cooking •
- Number of functions **9**
- Ring + grill •

**Performance**

Fan Element Power **1500W**

Grill power **1500W**

Microwave power **900W**

Microwave power levels **6**

**Power requirements**

Amperage **15A**

Supply frequency **50Hz**

Supply voltage **230V**

**Product dimensions**

Depth **562 mm**

Height **458 mm**

Width **596 mm**

**Safety**

- Control panel key lock •
- CoolTouch door •

**Warranty**


Parts and labour **2 years**

SKU **81923**

The product dimensions and specifications in this page apply to the specific product and model. Under our policy of continuous improvement, these dimensions and specifications may change at any time. You should therefore check with Fisher & Paykel's Customer Care Centre to ensure this page correctly describes the model currently available. © Fisher & Paykel Appliances Ltd 2019.

**Other product downloads available at fisherpaykel.com**

 [User Guide](#)

 [Service & Warranty Booklet](#)

 [Installation Guide](#)

 [Resources \(zip\)](#)



**A PEACE OF MIND SALE**

**24 Hours 7 Days a Week Customer Support**

**T 1300 650 590 W www.fisherpaykel.com**