

# Double DishDrawer™ Dishwasher

Series 7 | Contemporary

Stainless Steel

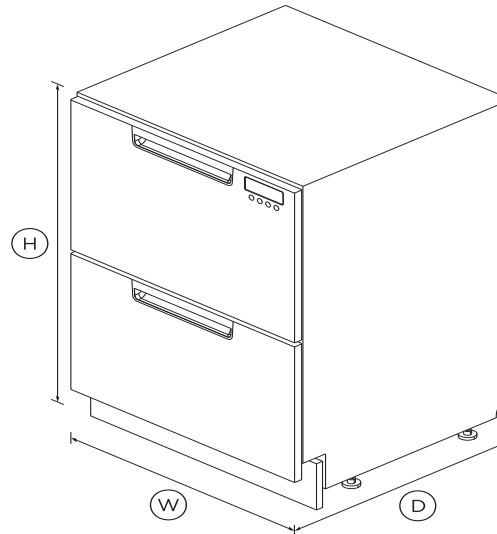


With a contemporary stainless steel finish, each drawer washes independently and fits a half load, so you can run one while you load the other.

- Six wash programs to suit any load, from Delicate to Heavy
- American Disabilities Act (ADA) compliant, this Double DishDrawer™ sits at an accessible height

## DIMENSIONS

Height	32 5/16- 34 5/8"
Width	23 9/16"
Depth	22 9/16"



## FEATURES & BENEFITS

### Ease of use

DishDrawer™ Dishwashers are as easy to open and close as kitchen drawers and can be conveniently positioned at bench height for ease of loading and minimal bending.

### Independent Wash

With the ability to use both drawers independently and select different wash programs the DishDrawer™ Dishwasher can wash everything from fine glass and crystal to heavily soiled pots and pans.

## TRUE HALF LOAD

Each drawer holds a true half load for guilt-free small washes and fast turnaround of your dishes. Both drawers operate independently so different wash cycles can run simultaneously to accommodate a variety of loads.

## Easy to load

Running at a very low decibel rating, these DishDrawer™ Dishwashers do their job without making a fuss. The combination of intelligent technology and simple mechanics means greater reliability and excellent wash performance.

## SPECIFICATIONS

### Accessories

- Cutlery basket
- Kickstrip

### Capacity and loading

Accommodates round plates	11" (top drawer) 11" (bottom)
Fixed height, foldable cupracks	•
Fold down tines	•
Place settings	14
Place settings per drawer	7

### Consumption

Energy usage	265kWh/year
In-use energy carbon	97.1kgCO2e/year
Water usage (per wash cycle)	3.44 gal running both tubs

### Controls

- Electronic fault/Diagnostic
- End of cycle beeps

Energy saving delay start	•
Rinse aid indicator light	•
Wi-Fi connectivity	•

**Features**

Fan assisted drying	•
Flood protection	•
Flow through detergent	•
Motor type	<b>BLDC</b>
Quiet operation	•
SmartDrive™ technology	•

**Performance**

Noise on standard cycle top	<b>43dBA</b>
-----------------------------	--------------

**Power requirements**

Amperage	<b>10A</b>
Electric circuit	<b>3 wire</b>
Rated current	<b>15A</b>
Supply frequency	<b>60Hz</b>
Supply voltage	<b>100 - 120V</b>

**Product dimensions**

Depth	<b>22 9/16"</b>
Height	<b>32 5/16- 34 5/8"</b>
Width	<b>23 9/16"</b>

**Safety and compliance**

ADA compliant	•
---------------	---

**Warranty**

Parts and labor	<b>Limited 2 years</b>
-----------------	------------------------

**Wash Programs**

Delicate	•
Fast	•
Heavy	•
Medium	•
Normal eco	•
Rinse	•
Wash programs	<b>6</b>

**Water connection**

Supplied hose to suit 3/8"	•
Water pressure	<b>30kPa - 1000 kPa</b>
Water supply	<b>3/8" to suit Male Compression</b>

SKU	<b>82328</b>
-----	--------------

The product dimensions and specifications in this page apply to the specific product and model. Under our policy of continuous improvement, these dimensions and specifications may change at any time. You should therefore check with Fisher & Paykel's Customer Care Centre to ensure this page correctly describes the model currently available. Fisher & Paykel Appliances Ltd 2020

**Where applicable:**

All appliances use energy, and energy usage typically generates carbon emissions. **Fisher & Paykel Appliances' In-use Energy Carbon Emissions Estimate** indicates carbon emissions from a product's in-use energy. This is calculated either annually or per cycle, using the product's market-specific energy label energy consumption data multiplied by the carbon emissions factor for energy in your country or region.

Our In-use Energy Carbon Emissions Estimate is designed to assist customers in making informed purchasing decisions when comparing different Fisher & Paykel products. For example, a heat pump dryer typically has a lower In-use Energy Carbon Emissions Estimate than a vented dryer.

---

Other product downloads available at [fisherpaykel.com](https://fisherpaykel.com)



[Quick Start Guide EN](#)



[Service & Warranty](#)



[Energy Label Double DishDrawer™ Dishwasher](#)



[User Guide DishDrawer™ Dishwasher EN](#)



[Installation Guide Double DishDrawer™ Dishwasher EN](#)



[Installation Guide Double DishDrawer™ Dishwasher EN](#)



[Specification Guide Double DishDrawer™ Dishwasher](#)



[Data Sheet Double DishDrawer™ Dishwasher](#)



**A PEACE OF MIND SALE**

**24 Hours 7 Days a Week Customer Support**

**T 1.888.936.7872 W [www.fisherpaykel.com](https://www.fisherpaykel.com)**