

Oven, 60cm, 5 Function

Series 3 | Contemporary

Stainless Steel

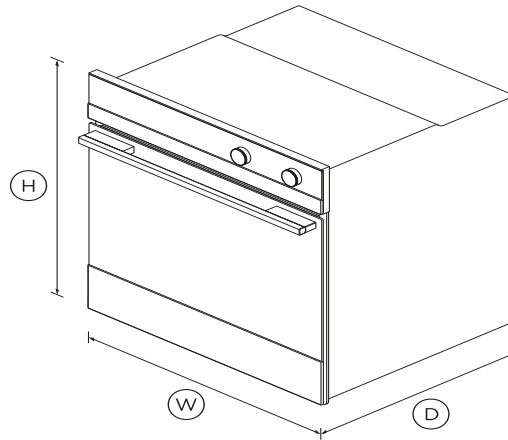


With contemporary styling and clean lines in glass and steel, this built-in oven complements the style and elegance of any modern kitchen.

- 85L total capacity
- Five oven functions including Maxi Grill

DIMENSIONS

Height	598mm
Width	597mm
Depth	565mm



SPECIFICATIONS

Accessories

- Catalytic panels •

Accessories (sold separately)

Handle kit Contemporary **Part number 81645**

Capacity

Shelf positions **6**

Total capacity	85L
Usable capacity	72L

Cleaning

- Acid resistant graphite enamel •
- Drop down grill element •
- Removable oven door inner •

Controls

- Automatic cooking/minute •
- Electronic capacitive touch •
- Halogen lights •

Functions

- Fan forced •
- Fan grill •
- Grill •
- Maxi Grill •
- Number of functions **5**

Performance

- AeroTech™ technology •
- Whisper quiet cooking •

Power requirements

Amperage **15A**

Product dimensions

Depth **565mm**

Height **598mm**
Width **597mm**





Safety

- Balanced oven door •
- CoolTouch door •
- Non-tip shelves •

SKU **81493**

The product dimensions and specifications in this page apply to the specific product and model. Under our policy of continuous improvement, these dimensions and specifications may change at any time. You should therefore check with Fisher & Paykel's Customer Care Centre to ensure this page correctly describes the model currently available. ? Fisher & Paykel Appliances Ltd 2020

Other product downloads available at fisherpaykel.com

-  [User Guide](#)
-  [Service & Warranty](#)
-  [Installation Guide Built-In Oven](#)
-  [Data Sheet Oven](#)



A PEACE OF MIND SALE

24 Hours 7 Days a Week Customer Support

T 1300 650 590 W www.fisherpaykel.com