

Oven, 60cm, 7 Function

Series 5 | Contemporary

Stainless Steel

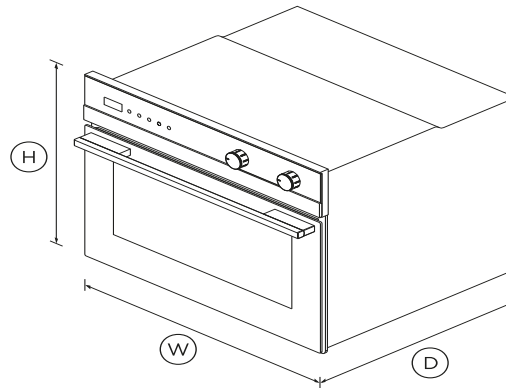


With contemporary styling and clean lines in glass and steel, this built-in oven complements the style and elegance of any modern kitchen.

- 55L total capacity
- Seven oven functions including Pastry Bake

DIMENSIONS

Height	458mm
Width	597mm
Depth	565mm



FEATURES & BENEFITS

Complementary design

All models in our Built-in Oven collection are finished in black reflective glass and stainless steel that blends elegant, minimalist aesthetic with design for durability. The finishes and handles match the rest of Fisher & Paykel's kitchen family, from Cooktops to Refrigerators, the CoolDrawer™ Multi-temperature Drawer and DishDrawer™ Dishwashers.

Sized to suit

Our compact ovens are perfect for the smaller kitchen and have

all the features of a conventional built-in oven, with generous-sized internal cavities of up to 55L total usable capacity.

SPECIFICATIONS

Accessories

Catalytic panels	•
Grill rack	1 set
Roasting dish	1
Roasting dish and grill rack set	1 set
Step down wire shelf	1
Telescopic sliding runners	1 set

Capacity

Shelf positions	4
Total gross	55L

Cleaning

Acid resistant graphite enamel	•
Drop down grill element	•
Removable oven door inner	•
Removable shelf runners	•
Self-cleaning catalytic liners	Sides

Controls

Automatic cooking/minute	•
Electronic capacitive touch	•
Electronic clock	•
Halogen lights	•

Functions

Bake	•
Classic bake	•
Fan bake	•
Fan forced	•
Fan grill	•
Grill	•
Number of functions	7
Pastry Bake	•

SKU

81498

The product dimensions and specifications in this page apply to the specific product and model. Under our policy of continuous improvement, these dimensions and specifications may change at any time. You should therefore check with Fisher & Paykel's Customer Care Centre to ensure this page correctly describes the model currently available. ? Fisher & Paykel Appliances Ltd 2020

Performance

AeroTech™ technology	•
Grill power	3000W
Whisper quiet cooking	•

Power requirements

Amperage	13.5A
----------	-------

Product dimensions

Depth	565mm
Height	458mm
Width	597mm

Safety

Advanced cooling system	•
Balanced oven door	•
CoolTouch door	•
Non-tip shelves	•

Other product downloads available at fisherpaykel.com

User Guide



Service & Warranty



Data Sheet Oven

**A PEACE OF MIND SALE****24 Hours 7 Days a Week Customer Support****T 0800 372 273 W** www.fisherpaykel.com