

FISHER & PAYKEL

DATA SHEET

Gas Range, 48", Professional

Model no:

RGV3-486GD

(refer page 6 for metric measurements)

Supply Area Dimensions	in	mm
Ⓐ Distance from right edge of range to supply area	1 1/2	38
Ⓑ Width of supply areas 48" models	3	76
Ⓒ Depth of supply areas (ie maximum protrusion of gas connection from wall)	2	51
Ⓓ Height of gas supply area (from floor)	12	305
Ⓔ Height of electrical supply area (from floor)	19	483

Electrical

Supply	120 V, 60 Hz
Service	15 A
Connection	3-prong grounding type plug

Gas - Natural

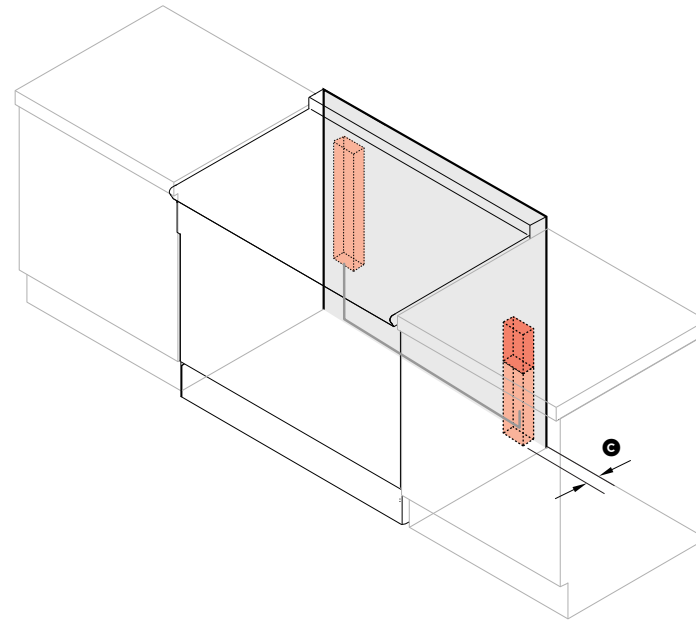
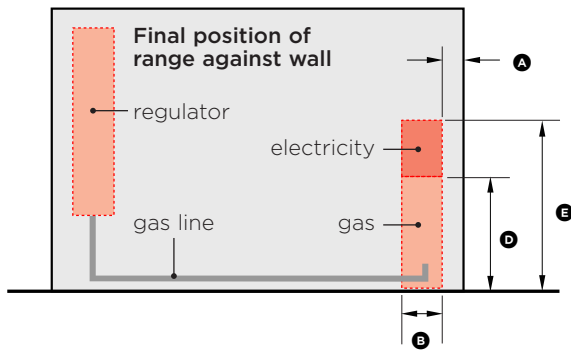
Connection	1/2" NPT Minimum 5/8" dia. flex line
Supply Pressure	Supply Pressure 6" to 9" W.C.

Gas - LP

Connection	1/2" NPT Minimum 5/8" dia. flex line
Supply Pressure	Supply Pressure 11" to 14" W.C.

Oven Total Capacity	195L
----------------------------	------

IMPORTANT NOTE: For full installation and clearance details please refer to our installation manual



INDICATES CAVITY CLEARANCES -----

INDICATES CABINETRY / PRODUCT DATUM -----

INDICATES CABINETRY CLEARANCES -----

DATE: 18.10.2021

IMPORTANT NOTE: Throughout this guide, dimensions may vary by $\pm 2\text{mm}$ (1/16"). Please read the installation manual for detailed information on installing the product. For full installation instructions & specifications visit fisherpaykel.com

FISHER & PAYKEL

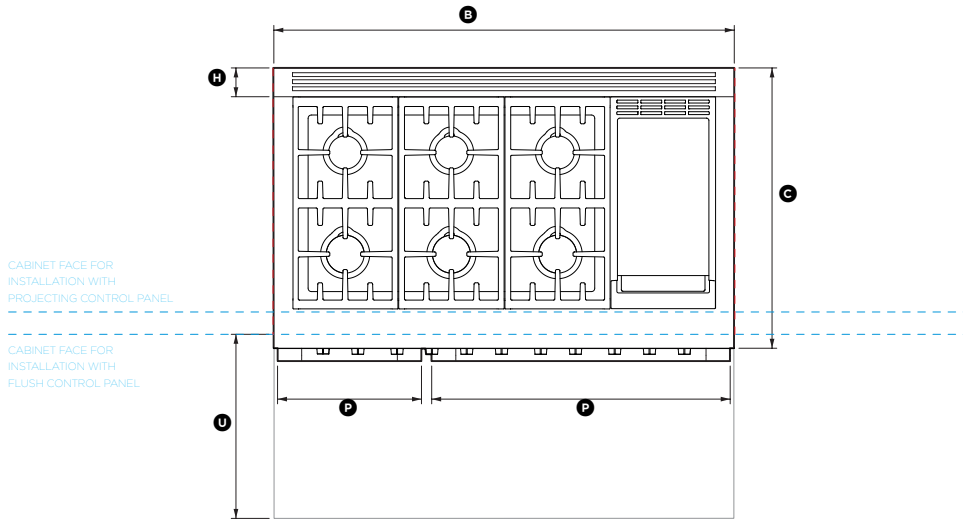
DATA SHEET

Gas Range, 48", Professional

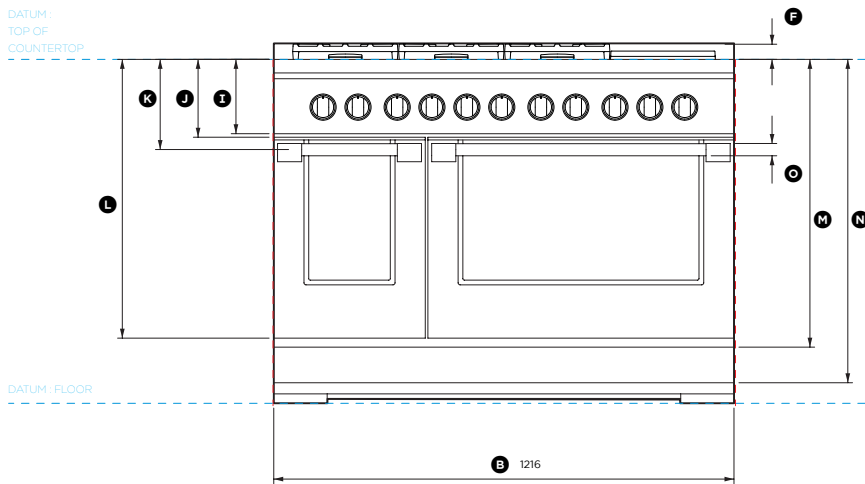
Model no:

RGV3-486GD

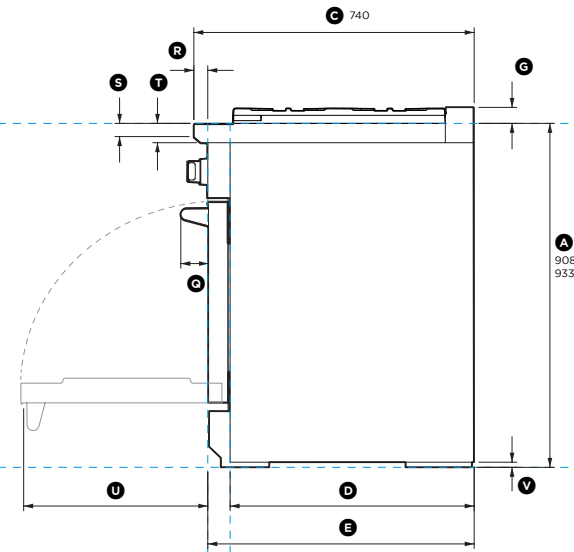
(refer page 41 for imperial measurements)



PLAN VIEW



FRONT VIEW



PROFILE VIEW

Product Dimensions

	mm
Ⓐ Height of range (from floor to cooktop, excluding grates and rear trim)	min 908 max 933
Ⓑ Overall width of range	1216
Ⓒ Overall depth of product (excluding handle and dials)	740
Ⓓ Depth from rear of chassis to cabinetry face - projecting	644
Ⓔ Depth from rear of chassis to cabinetry face - flush	703
Ⓕ Height from countertop to top of pan supports	40
Ⓖ Height of rear trim	42
Ⓗ Depth of rear trim	76
Ⓘ Height from counter top to bottom of control panel	196
Ⓝ Height from countertop to top of door	206
Ⓚ Height of countertop to centre of handle	239
Ⓛ Height from counter top to bottom of door	736
Ⓜ Height from counter top of lower panel	760
Ⓝ Height from counter top to bottom of lower panel	854
Ⓞ Thickness of handle rail	32
Ⓟ Width of handle (including stand offs) - left - right	380 788
Ⓠ Depth of handle (measured from front of door)	73
Ⓡ Depth of front of cooktop to control panel	37
Ⓢ Height of cooktop front face	35
Ⓣ Height from top of cooktop to control panel	51
Ⓤ Depth of open door to cabinetry face - flush	486
Ⓡ Adjustable feet height	min 13 max 38

Clearance Dimensions

	in
Overall width of cavity	min 1219
Overall depth of cavity for projecting control panel	max 644
Overall depth of cavity for flush control panel	max 703
Maximum height from floor to countertop: - for level counter	908
- with levelling legs fully extended	933

IMPORTANT NOTE: For full installation and clearance details please refer to our installation manual

INDICATES CAVITY CLEARANCES -----
INDICATES CABINETRY / PRODUCT DATUM -----
INDICATES CABINETRY CLEARANCES -----

DATE: 18.10.2021

IMPORTANT NOTE: Throughout this guide, dimensions may vary by $\pm 2\text{mm}$ (1/16"). Please read the installation manual for detailed information on installing the product. For full installation instructions & specifications visit fisherpaykel.com



CABINET FACE FOR INSTALLATION WITH FLUSH CONTROL PANEL
CABINET FACE FOR INSTALLATION WITH PROJECTING CONTROL PANEL

FISHER & PAYKEL

DATA SHEET

Gas Range, 48", Professional

Model no:

RGV3-486GD

(refer page 2 for imperial measurements)

Clearance Dimensions

	mm
Ⓐ Minimum width of ventilation hood installed above cooktop - not shown*	1219
Ⓑ Minimum vertical distance between countertop and cabinet extending above counter	457
Ⓒ Minimum clearance from left and right edge of cooktop to nearest vertical combustible surface	305
Ⓓ Minimum clearance from cooking surface to: - combustible surface centred above the cooking surface - combustible covering ventilation hood centred above the cooking surface - non combustible surface* centred above the cooking surface	1372 914 762
Ⓔ Maximum overall depth of overhead cabinetry	330
Ⓕ Distance from centre of rear burner to rear of burner	222

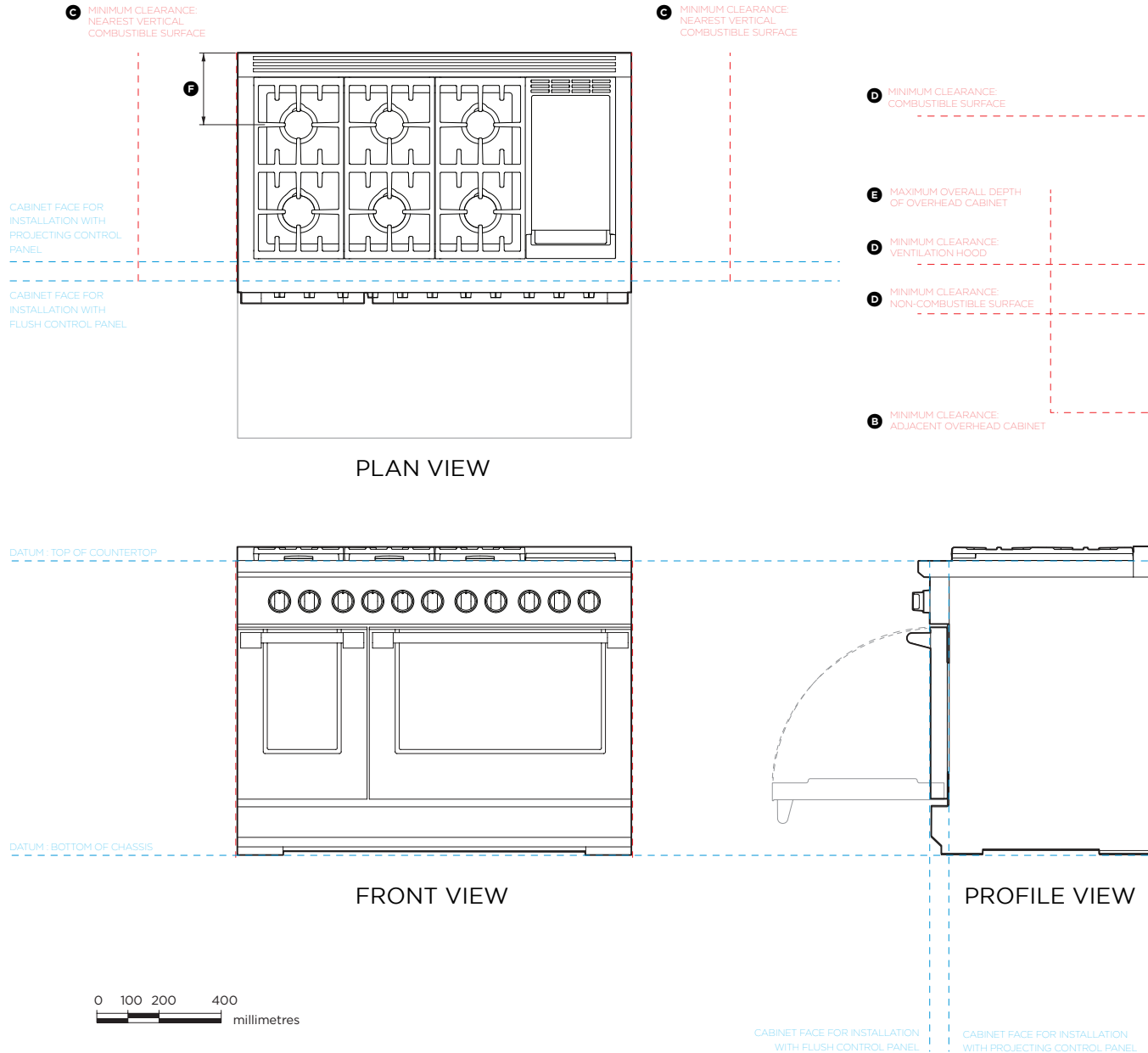
*Non-combustible surfaces: as defined in 'National Fuel Gas Code' (ANSI Z223.1, Current Edition). Clearances from non combustible materials are not part of the ANSI Z21.1 scope and are not yet certified by UL. Clearances of less than 6" (152mm) must be approved by the local codes and/or by the local authority having jurisdiction.

IMPORTANT NOTE: For full installation and clearance details please refer to our installation manual

INDICATES CAVITY CLEARANCES -----
INDICATES CABINETRY / PRODUCT DATUM -----
INDICATES CABINETRY CLEARANCES -----

DATE: 18.10.2021

IMPORTANT NOTE: Throughout this guide, dimensions may vary by $\pm 2\text{mm}$ (1/16"). Please read the installation manual for detailed information on installing the product. For full installation instructions & specifications visit fisherpaykel.com



FISHER & PAYKEL

DATA SHEET Gas Range, 48", Professional

Model no:
RGV3-486GD
(refer page 3 for imperial measurements)

Supply Area Dimensions	in	mm
Ⓐ Distance from right edge of range to supply area	1 1/2	38
Ⓑ Width of supply areas 48" models	3	76
Ⓒ Depth of supply areas (ie maximum protrusion of gas connection from wall)	2	51
Ⓓ Height of gas supply area (from floor)	12	305
Ⓔ Height of electrical supply area (from floor)	19	483

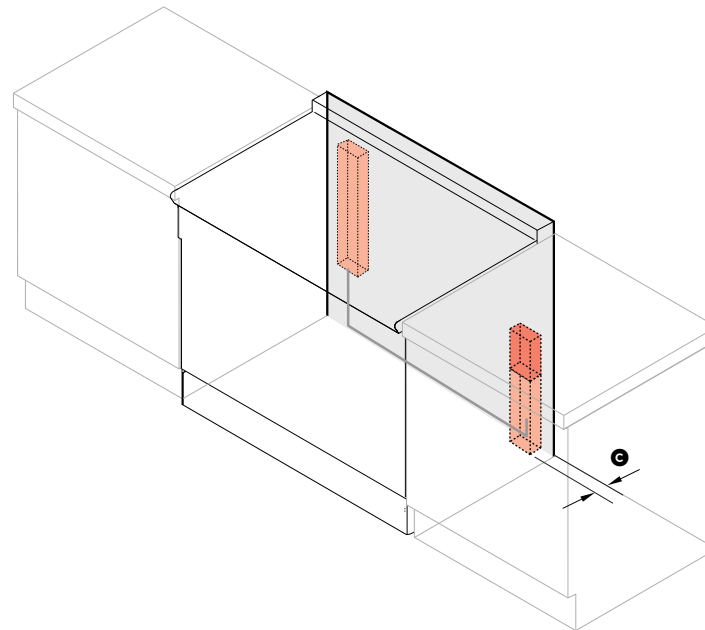
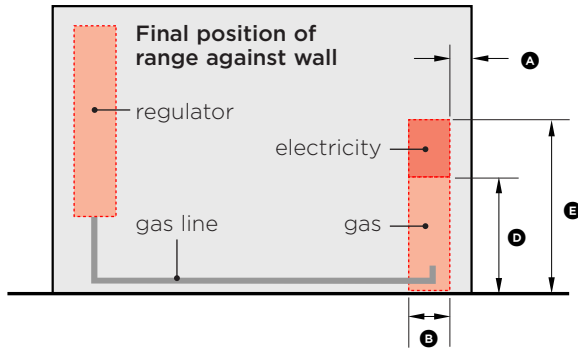
Electrical	
Supply	120 VAC, 60 Hz
Service	15 amp circuit
Max Current Draw	5A
Receptacle	3-prong grounding type plug

Gas - Natural	
Connection	1/2" NPT Minimum 5/8" dia. flex line
Supply Pressure	Supply Pressure 6" to 9" W.C

Gas - LP	
Connection	1/2" NPT Minimum 5/8" dia. flex line
Supply Pressure	Supply Pressure 11" to 14" W.C.

Oven Total Capacity	195L
---------------------	------

IMPORTANT NOTE: For full installation and clearance details please refer to our installation manual



INDICATES CAVITY CLEARANCES -----

INDICATES CABINETRY / PRODUCT DATUM -----

INDICATES CABINETRY CLEARANCES -----

DATE: 18.10.2021

IMPORTANT NOTE: Throughout this guide, dimensions may vary by $\pm 2\text{mm}$ (1/16"). Please read the installation manual for detailed information on installing the product. For full installation instructions & specifications visit fisherpaykel.com