

Single DishDrawer™ Dishwasher

Series 7 | Contemporary

Stainless Steel

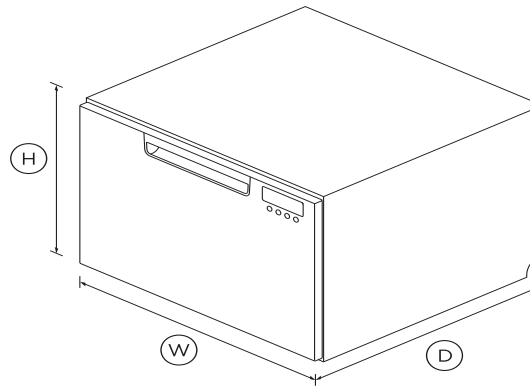


Designed to fit even full-sized dinner plates, this DishDrawer™ can be placed anywhere in your kitchen, for loading dishes with less bending.

- Six wash programs to suit any load, from Delicate to Heavy
- Flexible racking allows you to customise internal shelves to suit your needs

DIMENSIONS

| | |
|---------------|--------------|
| Height | 410mm |
| Width | 599mm |
| Depth | 573mm |



FEATURES & BENEFITS

Ease of use

DishDrawer™ Dishwashers are as easy to open and close as kitchen drawers and can be conveniently positioned at bench height for ease of loading and minimal bending. Flexible racking allows you to make adjustments to fit in a variety of dishes.

Seamless Integration

DishDrawer™ Dishwashers integrate beautifully into any kitchen space. They're designed to match the Fisher & Paykel family of kitchen appliances, with matching handles, premium styling and

quality materials.

Quiet performer

Running at a very low decibel rating, these DishDrawer™ Dishwashers do their job without making a fuss. The combination of intelligent technology and simple mechanics means greater reliability and excellent wash performance.

SPECIFICATIONS

Capacity and loading

| | |
|---------------------------------|--------------|
| Accommodates round plates | 280mm |
| Fixed height, foldable cupracks | • |
| Fold down tines | • |
| Place settings | 7 |

Consumption

| | |
|------------------------------|------------------------|
| Energy rating | 3.5 star |
| Energy usage | 136kWh/year |
| In-use energy carbon | 88.6kgCO2e/year |
| Water consumption (per wash) | 6.9L |
| Water efficiency | 4.5 star (WELS) |

Controls

- Electronic fault/Diagnostic
- End of cycle beeps
- Energy saving delay start
- Keylock
- Rinse aid indicator light
- Wi-Fi connectivity

Features

| | |
|------------------------|------|
| Fan assisted drying | • |
| Flood protection | • |
| Flow through detergent | • |
| Motor type | BLDC |
| Quiet operation | • |
| SmartDrive™ technology | • |

| | |
|---------------|---|
| Wash programs | 6 |
|---------------|---|

Water connection

| | |
|----------------|---------------------------|
| Water pressure | 30kPa - 1000 kPa |
| Water supply | 3/4" BSP (20mm) Connector |

| | |
|-----|-------|
| SKU | 82314 |
|-----|-------|

The product dimensions and specifications in this page apply to the specific product and model. Under our policy of continuous improvement, these dimensions and specifications may change at any time. You should therefore check with Fisher & Paykel's Customer Care Centre to ensure this page correctly describes the model currently available. © Fisher & Paykel Appliances Ltd 2020

Performance

| | |
|-----------------|-------|
| Noise emissions | 43dBA |
|-----------------|-------|

Power requirements

| | |
|------------------|------------|
| Amperage | 5A |
| Supply frequency | 50Hz |
| Supply voltage | 220 - 240V |

Product dimensions

| | |
|--------|-------|
| Depth | 573mm |
| Height | 410mm |
| Width | 599mm |

Warranty

| | |
|------------------|---------|
| Parts and labour | 2 years |
|------------------|---------|

Wash Programs

| | |
|----------|---|
| Delicate | • |
| Eco | • |
| Fast | • |
| Heavy | • |
| Medium | • |
| Rinse | • |

Other product downloads available at fisherpaykel.com

- [↓](#) Quick Start Guide
- [↓](#) Service & Warranty
- [↓](#) User Guide DishDrawer™ Dishwasher
- [↓](#) Wash Program Data ASNZS DishDrawer™ Dishwasher
- [↓](#) Energy & Water Label DishDrawer™
- [↓](#) Energy and Water Label
- [↓](#) Installation Guide Single DishDrawer™ Dishwasher
- [↓](#) Installation Guide Single DishDrawer™ Dishwasher
- [↓](#) Data Sheet Single DishDrawer™ Dishwasher

**A PEACE OF MIND SALE**

24 Hours 7 Days a Week Customer Support

T 1300 650 590 W www.fisherpaykel.com