

Oven, 30", 10 Function, Self-cleaning

Series 7 | Professional

Stainless Steel

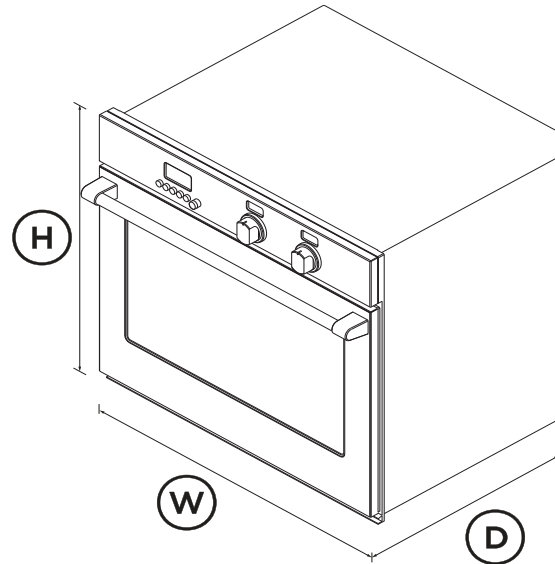


A highlight of the Fisher & Paykel range, this Series 7 oven ensures that every dish you create is cooked to perfection.

- 4.1 cu ft total capacity
- 10 oven functions including Aero™ Pastry and Roast
- High-temperature self-cleaning function breaks down food residue for an easy clean
- Non-tip, full-extension shelves for safe removal of hot dishes

DIMENSIONS

Height	27 1/8"
Width	29 3/4"
Depth	23 15/16"



SPECIFICATIONS

Accessories

Full extension sliding shelves	3 sets
Wired temperature sensor	1

Capacity

Shelf positions	8
Total capacity	4.1cu ft
Usable capacity	3.6cu ft

Cleaning

Acid resistant graphite enamel	•
Pyrolytic self-clean	•
Removable oven door	•
Removable shelf runners	•

Consumption

Energy usage	350kWh/year
In-use energy carbon	43.2kgCO2e/year

Controls

Automatic cooking/minute	•
Automatic pre-set	•
Celsius/Fahrenheit	•
Delay start	•
Electronic clock	•
Electronic oven control	•
Halogen lights	•
LED display	•
True convection oven	•
Turned stainless steel dials	•

Functions

Bake	•
Broil	•
Convection Broil	•
Convection bake	•
Convection pastry	•
Maxi Broil	•
Number of functions	10

Pastry Bake	•
Roast	•
Self-clean	•
True convection	•
Warm	•

Performance

AeroTech™ technology	•
Automatic rapid pre-heat	•
Broil power	4400W
Broil width	20"

Power requirements

Amperage	30A
Rated current	30A
Supply frequency	60Hz
Supply voltage	120 - 240V

Product dimensions

Depth	23 15/16"
Height	27 1/8"
Width	29 3/4"

Safety

ADA compliant	•
Control panel key lock	•
CoolTouch door	•
Non-tip shelves	•
Safety thermostat	•

Warranty

Parts and labour **Limited 2 years**

SKU **82947**

The product dimensions and specifications in this page apply to the specific product and model. Under our policy of continuous improvement, these dimensions and specifications may change at any time. You should therefore check with Fisher & Paykel's Customer Care Centre to ensure this page correctly describes the model currently available. © Fisher & Paykel Appliances Ltd 2020

Other product downloads available at fisherpaykel.com

- [↓](#) Quick Start Guide EN
- [↓](#) Guide de démarrage rapide FR
- [↓](#) User Guide EN
- [↓](#) Guide d'utilisation FR
- [↓](#) Service & Warranty
- [↓](#) Installation Guide EN / Guide d'installation FR



A PEACE OF MIND SALE

24 Hours 7 Days a Week Customer Support

T 1.888.936.7872 W www.fisherpaykel.com