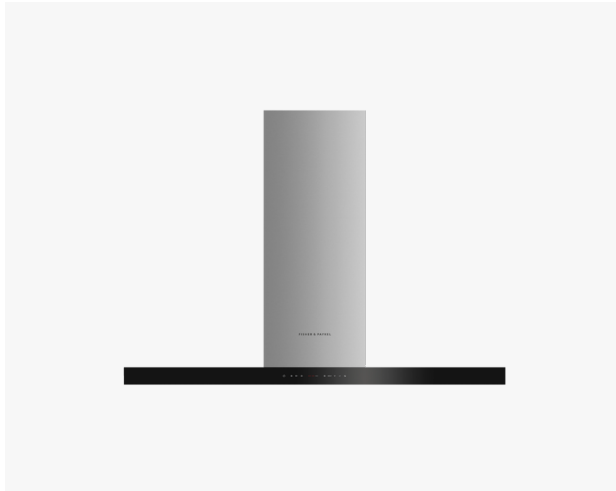


Wall Rangehood, 120cm, Box Chimney

Series 7 | Contemporary

Stainless Steel and Glass

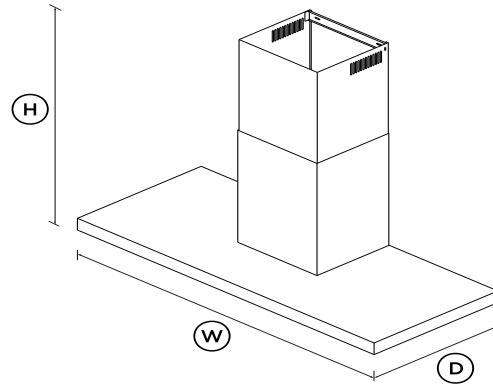


This Contemporary style rangehood extracts steam, grease and cooking odours quietly and efficiently.

- With three fan speeds plus boost, select the perfect extraction rate for your cooking
- Powerful maximum air movement of 780m³/hr
- Energy-efficient LED lighting to illuminate your cooking surface
- Wi-Fi enabled for notifications through the SmartHQ™ app

DIMENSIONS

Height	635-1035mm
Width	1198mm
Depth	500mm



FEATURES & BENEFITS

Effective extraction

Featuring perimeter extraction, four fan speeds, and a boost function, this range hood provides powerful extraction to quickly remove odors and steam. Odours can linger in the kitchen well after cooking is finished so the timer keeps the hood working for up to 15 minutes before automatically turning off.

Simple controls

The intuitive control panel responds to the touch of your finger. LED strip lighting illuminates the entire cooktop surface for the perfect sear or ideal reduction. Rangehood settings, including temperature and fan speed, can be controlled via the SmartHQ™

app, with additional voice control options for fan speeds and lighting.

Easy cleaning

Designed for simple removal, the filters are easy to clean and dishwasher safe, while the glass and stainless steel finish is easily wiped clean. The SmartHQ™ app will notify you when to clean the filter to ensure you get the best performance out of your rangehood.

Easy installation

This rangehood is the perfect partner to your Fisher & Paykel cooktop. It can be either externally ducted or internally recirculated, making it perfect for apartments.

SPECIFICATIONS

Accessories (sold separately)

Chimney extension	791774
Eave ducting kit	PD-RHK150E
Recirculation carbon filter	792481
Recirculation diverter	792560
Roof ducting kit	PD-RHK150T
Side wall ducting kit	PD-RHK150W

Fan ratings

Maximum air movement	810m ³ /hr
----------------------	-----------------------

Installation and cleaning

Dishwasher safe filters	4
Ducted	Top extraction
Internal blower included	•
Recirculation	Optional - top extraction
Two piece height adjustable	•

Performance

Extraction type	Surface
Fan speeds	3
Filter type	Mesh
Number of filters	4

Power requirements

Supply frequency	50Hz
Supply voltage	220-240V
Total Power	248W

Product dimensions

Depth	500mm
Height	635-1035mm
Width	1198mm

Product information

Control type	Capacitive touch
--------------	-------------------------

Ventilation features

Auto-off/Run-on timer	•
Dimmable lights	•
Filter cleaning alert	•
Light type	LED
Timer function	•
Wi-Fi connectivity	•

Warranty

Parts and labour	2 years
------------------	----------------

SKU 50197

The product dimensions and specifications in this page apply to the specific product and model. Under our policy of continuous improvement, these dimensions and specifications may change at any time. You should therefore check with Fisher & Paykel's Customer Care Centre to ensure this page correctly describes the model currently available. ? Fisher & Paykel Appliances Ltd 2020

Other product downloads available at fisherpaykel.com

- [↓ Service & Warranty](#)
- [↓ User Guide Wall Rangehood](#)
- [↓ Installation Guide Wall Rangehood](#)
- [↓ Preliminary Specification Guide Wall Rangehood](#)
- [↓ Data Sheet Rangehood](#)



A PEACE OF MIND SALE

24 Hours 7 Days a Week Customer Support

T 1300 650 590 Wwww.fisherpaykel.com