

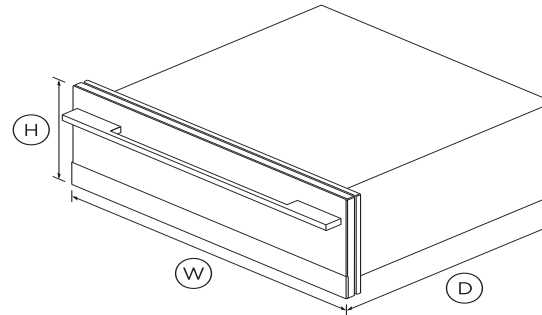
# Warming Drawer, 30"

Series 9 | Contemporary

Stainless Steel



Height	10 1/2"
Width	29 11/16"
Depth	25 1/16"



## Product dimensions

Depth	25 1/16"
Height	10 1/2"
Width	29 11/16"

SKU

81583

The product dimensions and specifications in this page apply to the specific product and model. Under our policy of continuous improvement, these dimensions and specifications may change at any time. You should therefore check with Fisher & Paykel's Customer Care Centre to ensure this page correctly describes the model currently available. © Fisher & Paykel Appliances Ltd 2019.

Keep your plates or cups warm while you finish cooking. Pair it with an oven for matching, contemporary design.

- A companion product, pairing perfectly with any of our 30" Ovens
- Space to keep six standard-sized dinner plates evenly warm
- Minimalist look with a black reflective glass surface and polished metal trim
- Easy to clean smooth-glass base

## DIMENSIONS

## SPECIFICATIONS

### Performance

High	200 - 250°F
Low	140 - 170°F
Medium	170 - 200°F

### Power requirements

Amperage	15A
Supply frequency	60Hz
Supply voltage	120V



**A PEACE OF MIND SALE**

24 Hours 7 Days a Week Customer Support

T 1300 650 590 W [www.fisherpaykel.com](http://www.fisherpaykel.com)