

Gas Range, 30", 4 Burners

Series 7 | Classic

Red

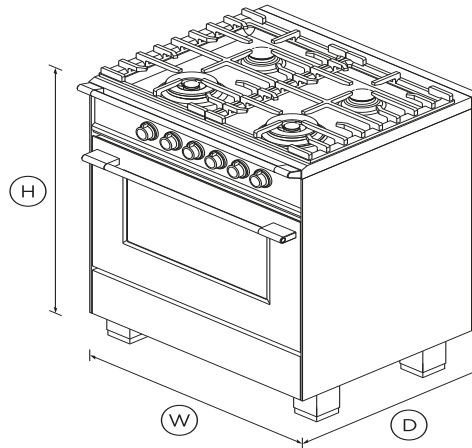


Create a striking classic kitchen. Your freestanding range has a spacious oven capacity and four gas burners for precise control.

- Four burner gas cooktop with two dual wok burners
- Gas oven with 3.5 cu ft total capacity
- Three oven functions: Bake, Convection Bake and Maxi Broil

DIMENSIONS

Height	35 3/4 - 37 5/8"
Width	29 7/8"
Depth	25 1/4"



FEATURES & BENEFITS

Design quality

This range has been carefully crafted in every detail from performance to durability using quality materials including the balanced soft-close door and rounded hob rail.

Large capacity oven

The generous 3.5 cu.ft total capacity oven gives you plenty of space to cook multiple dishes at once, with enough room to fit a 26 lb turkey.

Performance power

Precise cooktop controls let you sear or stir fry over instant, powerful heat. Use the high burner power or simmer a delicate sauce using the gentlest of heats.

Easy cleaning

With its durable surface, your cooktop simply needs a quick wipe after cooking to keep it looking good as new for years to come.

SPECIFICATIONS

Accessories

2-pc grill system (Broil pan and	•
Broil pan	•
Chromed shelf runners	1 set
Full extension telescopic	2 sets (part 578776)
Small pot support	1 (part 533981 cast)

Accessories (sold separately)

Hob rear trim	3 1/8" (part 81657)
Kick strip, black (optional)	KICKOR30B1
Kick strip, red (optional)	KICKOR30R1
Kick strip, stainless steel	KICKOR90X1
Kick strip, white (optional)	KICKOR30W1

Burner ratings

Dual wok burner inner/outer	1000 - 1800BTU
Dual wok burner inner/outer	1000 - 1800BTU
Maximum burner power	18000 BTU
Semi-rapid burner (LPG)	1500 - 7600BTU
Semi-rapid burner (natural)	1500 - 8000BTU
Total cooktop power	52000 BTU

Cleaning	
Acid resistant graphite enamel	•
Removable oven door	•
Removable shelf runners	•

Controls	
Laser etched graphics	•

Gas Requirements	
Supply Pressure (LPG)	11" W.C.P
Supply Pressure (natural gas)	4" W.C.P

Oven features	
Auto re-ignition system	•
Concealed element	•
Convection	•
Electronic ignition	•
Full extension telescopic	•
Internal light	2 x 25W halogen (rear)
Soft open/close door	•
Storage drawer	•

Oven functions	
Convection bake	•
Number of functions	3

Oven performance	
Bake power	14000 BTU
Broil	11000 BTU

CoolTouch door	Triple glazed
----------------	---------------

Power requirements	
Amperage	15A
Supply frequency	60Hz

Product dimensions	
Depth	25 1/4"
Height	35 3/4 - 37 5/8"
Width	29 7/8"

Rangetop features	
Hob rail	•
Hob rear trim	3 1/8" (part 81657)
LPG/Natural gas compatible	•
Sealed range top	•

Rangetop Performance	
Number of burners	4

Safety	
ADA compliant	•
Advanced cooling system	•
Anti-tilt bracket	•
Balanced oven door	•
Full extension telescopic	•
Non-tip shelves	•
Spill containment	1/2 gallon

SKU 81715

The product dimensions and specifications in this page apply to the specific product and model. Under our policy of continuous improvement, these dimensions and specifications may change at any time. You should therefore check with Fisher & Paykel's Customer Care Centre to ensure this page correctly describes the model currently available. ? Fisher & Paykel Appliances Ltd 2020

Other product downloads available at fisherpaykel.com

- [↓](#) Service & Warranty
- [↓](#) User Guide Freestanding Range EN
- [↓](#) Installation Guide EN
- [↓](#) Guide d'installation FR
- [↓](#) Data Sheet Gas Range



A PEACE OF MIND SALE

24 Hours 7 Days a Week Customer Support

T 1.888.936.7872 W www.fisherpaykel.com