

# Oven, 60cm, 7 Function

Series 5 | Contemporary

Stainless Steel

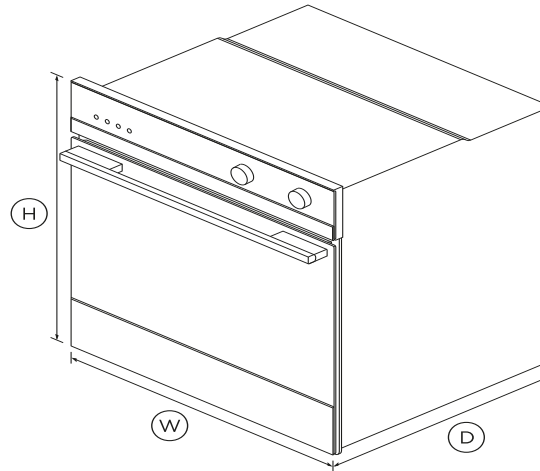


With generous capacity and beautiful Contemporary styling, this built-in oven will complement your kitchen design perfectly.

- Generous 85L total capacity
- Seven oven functions including Pizza Bake
- With AeroTech™ technology for even heating
- Designed to match the Contemporary style family of appliances

## DIMENSIONS

Height	598mm
Width	597mm
Depth	565mm



## FEATURES & BENEFITS

### Multi-function flexibility

Each function has been perfected to ensure that no matter what you're cooking, you've got the right heat to match. This built-in oven has seven functions including Bake, Fan Bake and Pizza Bake, allowing you to use a variety of cooking styles.

### Generous capacity

With a generous 85L total capacity, you can create several perfectly cooked dishes at once using multiple shelves.

### Even heating

Ideal for multi-shelf cooking, this built-in oven features AeroTech™ - a technology that circulates heat evenly.

### Easy to clean

Cleaning this oven is quick and easy thanks to the optional catalytic liners which absorb oil and fat splashes during cooking.

### Design freedom

Designed to fit seamlessly into your kitchen, this built-in oven features premium materials and detailing to support a cohesive, considered kitchen design.

### Safe and sound

The CoolTouch door features triple glazing and a cooling system that ensures it's safe to touch from the outside - protecting both your hands and the surrounding cabinetry.

## SPECIFICATIONS

### Accessories

Catalytic panels	•
Chromed shelf runners	•
Flat brushed baking tray	1
Roasting dish	1
Step down wire shelf	1
Wire shelf	1

### Accessories (sold separately)

Handle kit Contemporary	Part 81645
-------------------------	------------

### Capacity

Shelf positions	6
Total capacity	85L
Usable capacity	72L

### Cleaning

Acid resistant graphite enamel	•
--------------------------------	---

- Removable oven door •
- Removable oven door inner •
- Removable shelf runners •

- Grill power **3000W**
- Whisper quiet cooking •

**Power requirements**

- Amperage **15A**
- Supply frequency **50Hz**
- Supply voltage **220 - 240V**

**Product dimensions**

- Depth **565mm**
- Height **598mm**
- Width **597mm**

**Safety**

- Balanced oven door •
- CoolTouch door •
- Non-tip shelves •

**Warranty**

- Parts and labour **5 years**

SKU **82780**

The product dimensions and specifications in this page apply to the specific product and model. Under our policy of continuous improvement, these dimensions and specifications may change at any time. You should therefore check with Fisher & Paykel's Customer Care Centre to ensure this page correctly describes the model currently available. © Fisher & Paykel Appliances Ltd 2020

**Consumption**

In-use energy carbon **0.1kgCO2e/cycle**

**Controls**

- Adjustable audio and display •
- Audio feedback •
- Automatic cooking/minute •
- Delay start •
- Electronic clock •
- Electronic oven control •
- Soft close doors •
- True convection oven •

**Functions**

- Bake •
- Classic bake •
- Fan bake •
- Fan forced •
- Fan grill •
- Grill •
- Number of functions **7**
- Pastry Bake with Pizza mode •
- Pizza bake •

**Performance**

- AeroTech™ technology •

**Other product downloads available at fisherpaykel.com**

- [↓](#) User Guide Built-in Oven
- [↓](#) Service & Warranty
- [↓](#) Installation Guide Built-In Oven



**A PEACE OF MIND SALE**

**24 Hours 7 Days a Week Customer Support**

**T 08000 886 605 Wwww.fisherpaykel.com**