

FISHER & PAYKEL

DATA SHEET

DishDrawer™ Dishwasher 600mm Double Integrated - Tall

Model no:

DD60DTX6I1, DD60DTX6H1

Product Dimensions	mm
Ⓐ Overall height*	864 - 924
Ⓒ Overall width**	599
Ⓓ Depth of chassis**	553
Ⓔ Ventilation gap between custom panels	8
Ⓕ Height of chassis at rear (not including mounted feet)	855
Ⓖ Height of mounted feet (adjustable)	10 - 70
Ⓗ Height of toe kick custom panel (adjustable)	45 - 123
Ⓜ Depth from front of drawer panel to front of toe kick panel - custom panel***	40 - 100
- prefinished panel	40 - 120
Ⓜ Depth of drawer opening**	527

* Includes adjustable mounted feet and the range of movement.

** Does not include the custom drawer panels, handles or toe kick panel to be manufactured and fitted by cabinetmaker.

*** Assuming panel thickness of 18mm.

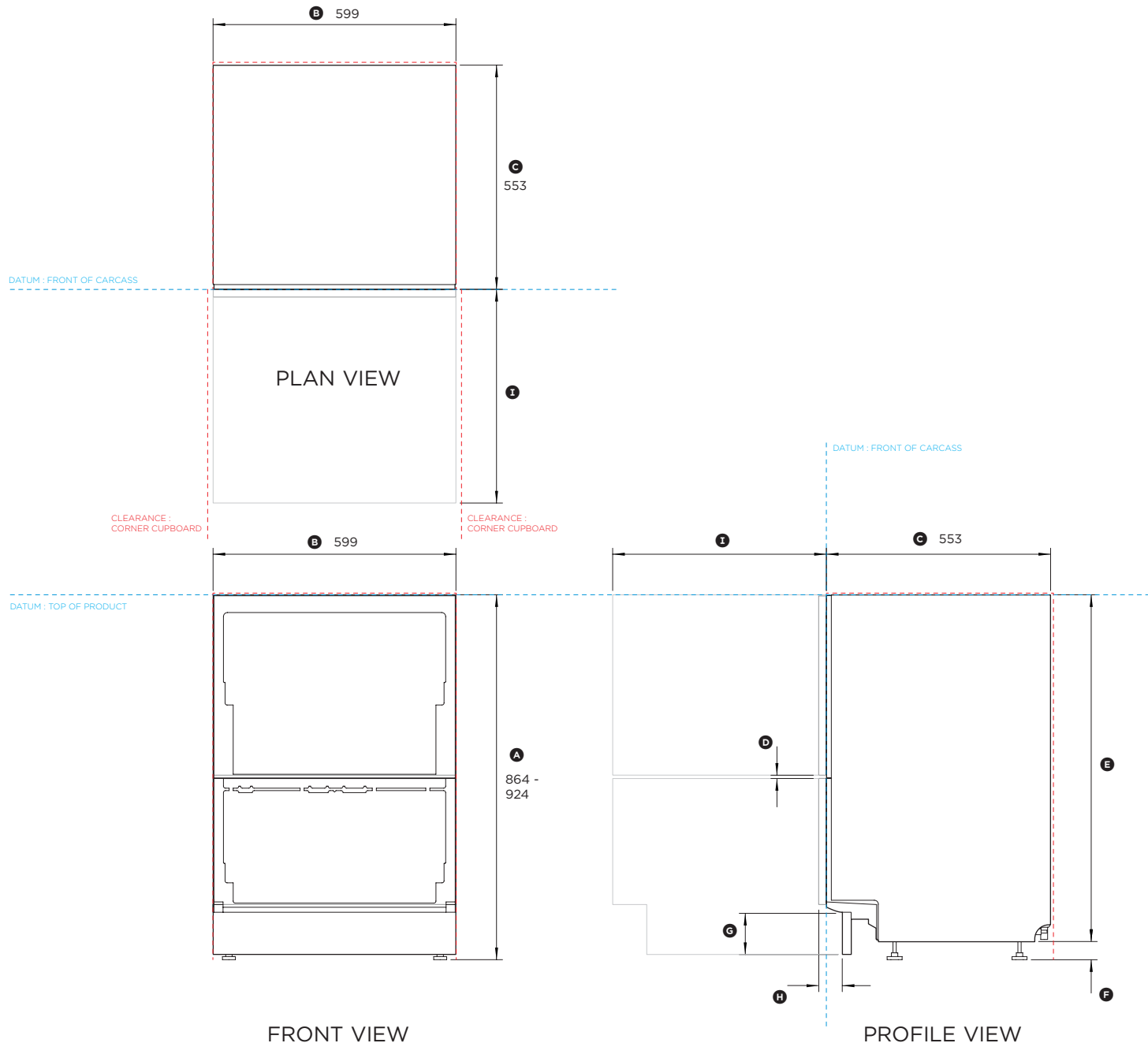
Note: Service outlet at rear extends both sides, hoses and cords can be routed to either or both.

Minimum Clearances	mm
Minimum inside height of cavity from bottom datum	864
Minimum inside width of cavity	600
Minimum inside depth of cavity from front datum (excluding front panels)	560
Minimum ventilation gap between custom panels	8
Minimum clearance from underside of bench to top of custom panel	2
Minimum clearance from bottom of toe kick panel to floor	12
Minimum clearance from a corner cupboard	13

INDICATES CABINETRY / PRODUCT DATUM -----
INDICATES CABINETRY CLEARANCES -----

DATE: **08.03.2021**

IMPORTANT NOTE: Throughout this guide, dimensions may vary by $\pm 2\text{mm}$ (1/16"). Please read the installation manual for detailed information on installing the product. For full installation instructions & specifications visit fisherpaykel.com



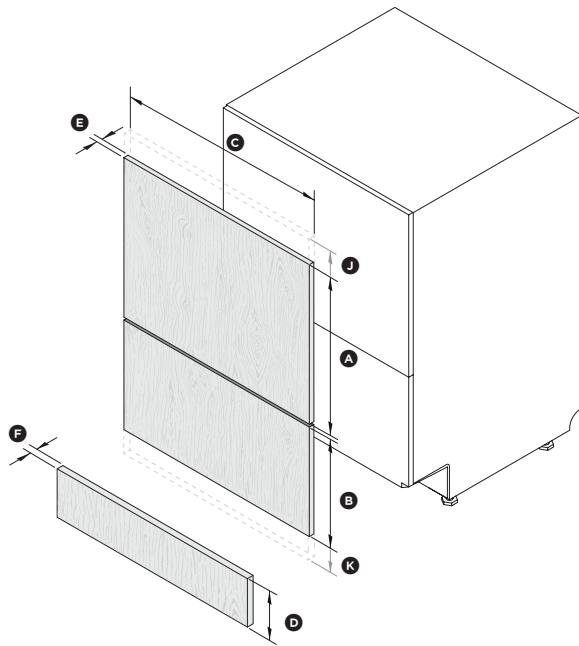
FISHER & PAYKEL

CUSTOM PANEL PREPARATION

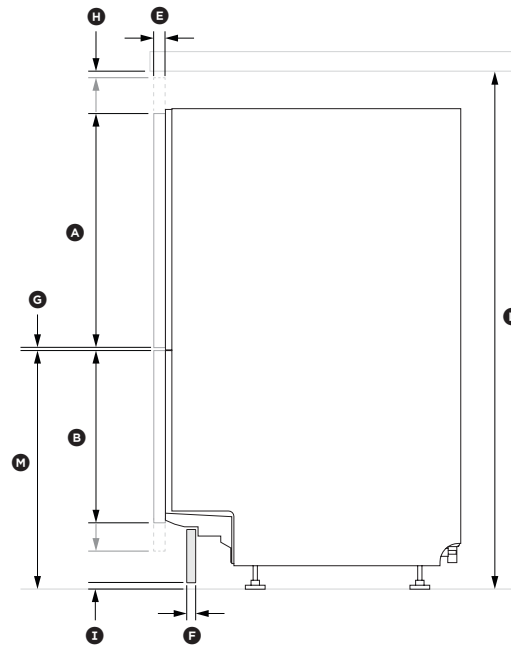
DishDrawer™ Dishwasher 600mm Double Integrated - Tall

Model no:

DD60DTX6I1, DD60DTX6H11



ISO VIEW



PROFILE VIEW

Dimensions	mm
Ⓐ Minimum height of upper drawer panel*	442
Ⓑ Minimum height of lower drawer panel*	311
Ⓒ Minimum drawer panel width	596
Ⓓ Toe kick panel height*	45 - 123
Ⓔ Drawer panel depth	16 - 20
Ⓕ Minimum toe kick panel depth**	9
Ⓖ Minimum clearance between drawer panels	8
Ⓗ Minimum clearance between upper panel and countertop	2
Ⓘ Minimum clearance between toe kick panel and floor	12
Ⓝ Maximum extension of upper panel	-
Ⓞ maximum extension of lower panel	50
Ⓚ Minimum inside cavity height	864
Ⓛ Minimum height from floor to top of lower drawer panel***	414
Maximum weight of each drawer panel (including handle)	9 kg

* The upper drawer panel may be extended up, or the lower panel down from the fixed gap between both. Adjust the height of the toe kick panel accordingly.

** If using supplied toe kick mounting screws. Panel can be fixed via screwing or gluing to the supplied mounting bracket.

*** Depending on the adjustment of leveling feet.

DATE: **08.03.2021**

IMPORTANT NOTE: Throughout this guide, dimensions may vary by $\pm 2\text{mm}$ (1/16"). Please read the installation manual for detailed information on installing the product. For full installation instructions & specifications visit fisherpaykel.com