

# Combi Front Loader Washer Dryer, 8.5kg + 5kg

Series 7 | Combination

White

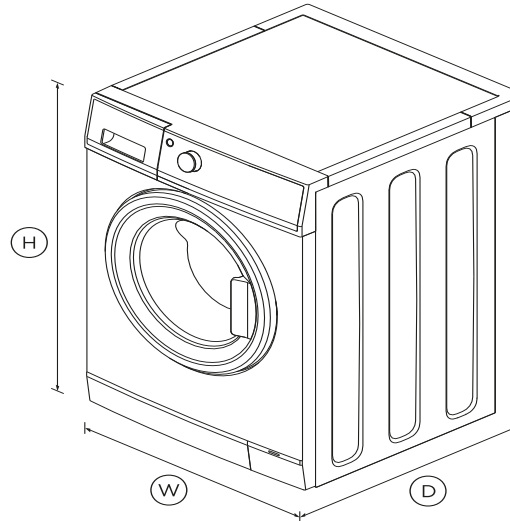


A complete laundry solution for when you need to maximise space while washing and drying your clothes with superior fabric care.

- With 10 continuous wash and dry cycles including Delicate and Quick wash, 10 wash only cycles and 9 dry only cycles
- 8.5kg wash load and 5kg dry load
- Easy installation with no venting required
- Wash and dry an average load in under three hours

## DIMENSIONS

Height	850mm
Width	600mm
Depth	645mm



## FEATURES & BENEFITS

### Two in one convenience

This 60cm model fits into a standard space and does the work of a washer and dryer combined - offering a complete laundry solution.

### Complete fabric care

Designed to care for every type of fabric with specialised cycles. The option of low-temperature drying helps prevent fabric damage, and a reverse-tumble drying action minimises tangling.

### Add a Garment

Add a Garment allows you to pause your wash cycle, add or remove an item, then carry on washing.

### Hot spin technology

Hot spin technology reduces moisture content to speed up the drying process - saving time and energy.

### Quick cycle times

Wash and dry an average load in three hours or less.

### Easy installation

All that's required is a cold water inlet, a drain and power - no venting required.

## SPECIFICATIONS

### Consumption

Energy rating	4 star
Energy usage	325kWh/year
In-use energy carbon	44.0kgCO2e/year
Water consumption per cycle	61L
Water efficiency	5 star (WELS)

### Dry Cycles

Cottons	•
Dryness levels	3
Everyday	•
Heavy	•
Synthetics	•
Towels	•

### Features

Add a garment (immediate)	•
Anti-fungal door gasket	•

Auto out of balance correction	•	Height	<b>850mm</b>
Child/Keylock	•	Width	<b>600mm</b>
Cold water inlet	•		
Controlled cold	•		
Delay start	•	<b>Warranty</b>	
Detergent dispenser	•	Parts and labour	<b>2 years</b>
Door and gasket flushing	•	Parts only SmartDrive™ Motor	<b>10 years</b>
Fabric softener dispenser	•		
Flood protection	•	<b>Wash Cycles</b>	
Interior light	•	Allergy	•
Pre Wash	•	Cottons	•
Progress indicator	•	Customise cycle	•
Rinse +	•	Delicate	•
SmartTouch™ control dial	•	Drum Clean	•
Spin speeds	<b>5</b>	Everyday	•
Stainless steel drum	•	Heavy	•
Time to go	•	Quick 30	•
Water supply	<b>Cold</b>	Rinse	•
Water temperature controls	<b>5</b>	Sanitise	•
Wrinkle Free	•	Spin	•
		Synthetics	•
		Towels	•

**Performance**

Auto-Lint disposal	•		
Maximum spin speed	<b>1400rpm</b>	SKU	<b>93235</b>
Number of spin speeds	<b>5</b>		
SmartDrive™ technology	•		
Vortex Wash	•		

**Product dimensions**

Depth	<b>645mm</b>
-------	--------------

The product dimensions and specifications in this page apply to the specific product and model. Under our policy of continuous improvement, these dimensions and specifications may change at any time. You should therefore check with Fisher & Paykel's Customer Care Centre to ensure this page correctly describes the model currently available. ? Fisher & Paykel Appliances Ltd 2020

**Other product downloads available at fisherpaykel.com**

- [↓](#) User Guide
- [↓](#) Service & Warranty
- [↓](#) Energy & Water Label
- [↓](#) Installation Guide

24/7

**A PEACE OF MIND SALE**  
**24 Hours 7 Days a Week Customer Support**  
**T 0800 372 273 W www.fisherpaykel.com**