

Top Loader Washing Machine, 8.5kg

Series 7 | Top Load

White

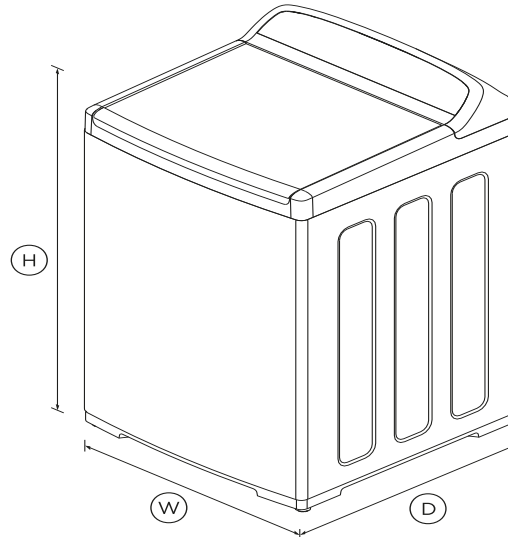


With room for large loads, this top loader runs on SmartDrive™ technology for a quieter, quicker wash.

- Six wash cycles including Wool, Delicate and a 30 minute Quick cycle to cater to busy lives
- Energy saving with Eco-Active™
- 4 star energy and 3.5 star water rating

DIMENSIONS

| | |
|--------|---------------|
| Height | 1045 - 1075mm |
| Width | 600mm |
| Depth | 600mm |



FEATURES & BENEFITS

Smartdrive™ Technology

Our world-first SmartDrive™ technology is made up of just three main parts. This means our washing machines can sense each load, use less water and run with less moving parts for greater reliability.

Fast full load

Fast cycle times allow you to wash a full 8.5kg load in as little as 59 minutes.

Easy to use

This machine has a cycle to suit every type of load including Delicate, Heavy and Wool. Select a cycle with easy-to-use SmartTouch™ controls.

Eco-Active™ Wash

Eco-Active™ recirculates water and detergent through clothes so less hot water is used to remove stains, dirt and bacteria.

Soft-Close Lid

The robust plastic lid has a soft close mechanism that makes it family safe, avoids slamming and allows for hands-free operation.

Easy Installation

Self-levelling feet make installation easy and ensure the washing machine stays level, to reduce vibration and keep noise to a minimum.

Cares For Clothes

The flexible finned agitator ensures less tangling for superior clothes care.

SPECIFICATIONS

Consumption

| | |
|-----------------------------|-----------------|
| Energy rating | 4 star |
| Energy usage | 313kWh/year |
| In-use energy carbon | 42.4kgCO2e/year |
| Water consumption per cycle | 96L |
| Water efficiency | 3.5 star (WELS) |

Features

| | |
|--------------------------------|-----------------|
| Adjustable alert beeps | • |
| Agitator | Flexible finned |
| Auto out of balance correction | • |
| Automatic water level | • |

| | | | |
|----------------------------|---|------------------------------|----------|
| Child/Keylock | • | Parts only SmartDrive™ Motor | 10 years |
| Controlled cold | • | | |
| Delay start | • | | |
| Detergent dispenser | • | | |
| Eco rinse | • | | |
| Fabric softener dispenser | • | | |
| Lid lock | • | | |
| Manual water levels | 5 | | |
| No spin / Spin Hold | • | | |
| Rinse options | 3 | | |
| Soak | • | | |
| Spin speeds | 3 | | |
| Stainless steel drum | • | | |
| Water temperature controls | 5 | | |

| | | | |
|--|--|-----------------------|---|
| | | Wash Cycles | |
| | | Allergy | • |
| | | Customise cycle | • |
| | | Delicate | • |
| | | Heavy | • |
| | | Number of wash cycles | 6 |
| | | Quick | • |
| | | Regular | • |
| | | Wool | • |

| | |
|-----|-------|
| SKU | 93261 |
|-----|-------|

Performance

| | |
|------------------------|---------|
| Auto-Lint disposal | • |
| Load sensing | • |
| Maximum spin speed | 1100rpm |
| Number of spin speeds | 3 |
| SmartDrive™ technology | • |

Product dimensions

| | |
|-------------------|---------------|
| Depth | 600mm |
| Height | 1045 - 1075mm |
| Height (Lid open) | 1350 - 1380mm |
| Width | 600mm |

Warranty

| | |
|------------------|---------|
| Parts and labour | 2 years |
|------------------|---------|

The product dimensions and specifications in this page apply to the specific product and model. Under our policy of continuous improvement, these dimensions and specifications may change at any time. You should therefore check with Fisher & Paykel's Customer Care Centre to ensure this page correctly describes the model currently available. Fisher & Paykel Appliances Ltd 2020

Where applicable:

All appliances use energy, and energy usage typically generates carbon emissions. **Fisher & Paykel Appliances' In-use Energy Carbon Emissions Estimate** indicates carbon emissions from a product's in-use energy. This is calculated either annually or per cycle, using the product's market-specific energy label energy consumption data multiplied by the carbon emissions factor for energy in your country or region.

Our In-use Energy Carbon Emissions Estimate is designed to assist customers in making informed purchasing decisions when comparing different Fisher & Paykel products. For example, a heat pump dryer typically has a lower In-use Energy Carbon Emissions Estimate than a vented dryer.

Other product downloads available at fisherpaykel.com

- [↓](#) User Guide
- [↓](#) Service & Warranty
- [↓](#) Energy & Water Label
- [↓](#) Installation Guide



A PEACE OF MIND SALE

24 Hours 7 Days a Week Customer Support

T 0800 372 273 W www.fisherpaykel.com