

Integrated French Door Refrigerator Freezer, 80cm, Ice & Water

Series 7 | Integrated

Panel Ready | French hinge



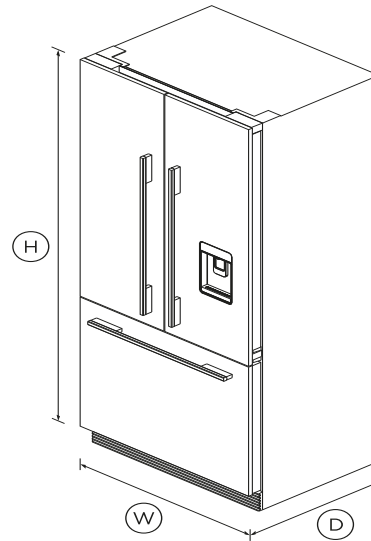
This large capacity refrigerator with bottom freezer seamlessly integrates into your kitchen, fitting flush into your cabinetry.

- ActiveSmart™ technology helps keep food fresher for longer by constantly maintaining the ideal temperature.
- Customise with your own kitchen cabinetry or purchase our stainless steel door panel accessory
- Slimline water dispenser available with stainless steel door panel accessory

- Spacious bottom freezer with full extension drawer and ice maker with boost function

DIMENSIONS

Height	1798mm
Width	796mm
Depth	606mm



FEATURES & BENEFITS

ACTIVESMART™ FOODCARE

ActiveSmart™ Foodcare learns how you live. It's technology which understands how you use your refrigerator and adjusts temperature, airflow and humidity inside to help keep food fresher for longer.

FLEXIBLE STORAGE

Designed to make it simple for you to store, access and remove food. Storage bins give you full access inside when they're pulled open and can be easily removed to clean. Our flexible shelving also gives you more storage options.

WATER ON TAP

The slimline dispenser makes it easy to fill almost any sized jug or vessel with cool filtered water and doesn't take up any storage space in your refrigerator.

ICE MAKER

Fresh ice is always available for you in a dedicated freezer bin. Simply turn it off to free up freezer space, or during busy times you can boost ice production by up to 30%.

EASY CLEANING

Secure, spill-safe glass shelves easily capture any drips or leaks, and can be easily removed for fast and easy cleaning.

BEAUTIFUL LIGHTING

LED lighting illuminates the interior with a crisp, clean glow for enhanced visibility. Our energy saving LEDs use less power than comparable halogen lights.

SPECIFICATIONS

Accessories

Contemporary round handle	AHSRS80A
Contemporary square handle	AHD3RS80A
Replacement water filter	847200
Square fine aluminium handle	AHD5RD80A
Square fine black handle kit	AHD5RD80AB
Stainless steel door panel	RD80U

Capacity

Total net volume	417L
Volume	417L

Volume freezer	129L
Volume refrigerator	288L

Consumption

Energy consumption	342kWh/year
Energy rating	F

Features

Adjustable door shelves	6
Adjustable glass shelves	3
Covered door shelves	2
Door alarm	•
Fruit and vegetable bins	2
LED lighting	•
SmartTouch control panel	•
Soft close doors	•
Stackable bottle holders	4
Ultra slim water dispenser	•

Freezer Features

Automatic ice maker	•
Bottle chill	•
Door alarm	•
Fast freeze	•
Ice Boost	•
LED lighting	•
Large plastic bins	•

Performance

ActiveSmart™ Foodcare	•
-----------------------	---

Adaptive defrost	•
Frost free freezer	•
Humidity control system	•
Inverter controlled compressor	•
Noise emissions	42dBA
Noise emissions class	D
Sabbath mode	•

Power requirements

Supply voltage	230V
----------------	-------------

Product dimensions

Depth	606mm
Height	1798mm
Width	796mm

Warranty

Parts and labour	5 years
------------------	----------------

SKU	26520
-----	--------------

The product dimensions and specifications in this page apply to the specific product and model. Under our policy of continuous improvement, these dimensions and specifications may change at any time. You should therefore check with Fisher & Paykel's Customer Care Centre to ensure this page correctly describes the model currently available. ? Fisher & Paykel Appliances Ltd 2020

Other product downloads available at fisherpaykel.com

- [↓](#) User Guide Integrated Refrigerator Freezer
- [↓](#) Service & Warranty
- [↓](#) User Guide Integrated Refrigerator Freezer
- [↓](#) Install Guide - Water Filter Replacement
- [↓](#) Installation Guide



A PEACE OF MIND SALE

24 Hours 7 Days a Week Customer Support

T 08000 886 605 Wwww.fisherpaykel.com