

# Wall Range Hood, 30", Box Chimney

Series 7 | contemporary

Stainless Steel and Glass

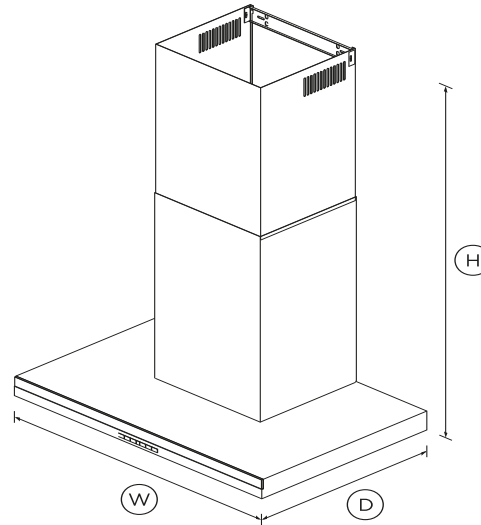


The wall chimney range hood has a contemporary styling, extracting steam, grease and cooking odors quietly and efficiently.

- With four fan speeds, select the perfect extraction rate for your cooking
- Energy-efficient LED lighting to illuminate your cooking surface
- Powerful 600CFM maximum airflow

## DIMENSIONS

Height	23 <sup>3</sup> / <sub>4</sub> - 41 <sup>1</sup> / <sub>16</sub> "
Width	29 <sup>3</sup> / <sub>4</sub> "
Depth	19 <sup>11</sup> / <sub>16</sub> "



## FEATURES & BENEFITS

### Quiet and effective

This range hood features four fan speeds providing powerful extraction to quickly remove odours and steam. As odors can linger in the kitchen well after cooking is finished, the timer keeps the vent hood working for up to 15 minutes before automatically turning off.

## SPECIFICATIONS

## Accessories

Chimney extension	791774
Light bulb	792579
Recirculation carbon filter	791772
Recirculation diverter	792580

## Fan ratings

Maximum sound rating	67dBA
Speed 3 sound rating	63dBA

## Installation and cleaning

Air outlet size	6"
Dishwasher safe filters	2
Ducted	Top extraction
Recirculation	Optional - top extraction
Stainless steel filter cover	•

## Performance

Extraction type	Surface
Fan speeds	4
Filter type	Mesh
Number of filters	2

## Power requirements

Rated current	5.2A
Supply frequency	60Hz
Supply voltage	120V
Total Power	543

## Product dimensions

Depth	19 <sup>11</sup> / <sub>16</sub> "
Height	23 <sup>3</sup> / <sub>4</sub> - 41 <sup>1</sup> / <sub>16</sub> "
Width	29 <sup>3</sup> / <sub>4</sub> "

---

**Product information**

Control type	<b>Soft-touch</b>
--------------	-------------------

---

**Ventilation features**

Light type	<b>LED 2 x 6W</b>
Timer function	•

---

**Warranty**

Parts and labor	<b>2 years</b>
-----------------	----------------

---

SKU	50083
-----	-------

---

---

**Other product downloads available at fisherpaykel.com**[User Guide](#)[Guide D'Utilisation](#)[Service & Warranty Booklet](#)[Installation Guide](#)[Guide D'Installation](#)**A PEACE OF MIND SALE****24 Hours 7 Days a Week Customer Support****T 1300 650 590 W www.fisherpaykel.com**

The product dimensions and specifications in this page apply to the specific product and model. Under our policy of continuous improvement, these dimensions and specifications may change at any time. You should therefore check with Fisher & Paykel's Customer Care Centre to ensure this page correctly describes the model currently available. Â© Fisher & Paykel Appliances Ltd 2019.