

FISHER & PAYKEL

MODULAR COOKTOP

MULTIPLE PRODUCT WITH OVERHEAD VENTILATION

CI365DTTB1, CI304DTTB1, CI244DTTB1, CI152DTTB1, CI152DB1,
CI122DB1, CIT122DX1, CIT152DX1 models

INSTALLATION GUIDE

US CA

⚠ WARNING!



Electric Shock Hazard

Failure to follow this advice may result in electric shock or death.

- Do not cook on a broken or cracked cooktop. If the cooktop surface should break or crack, switch the appliance off immediately at the mains power supply (wall switch) and contact a qualified technician.
- Switch the cooktop off at the wall before cleaning maintenance.

⚠ WARNING!



Fire Hazard

Failure to follow this advice may result in serious burns or death.

- Unattended cooking on a hob with fat or oil can be dangerous and may result in fire.
- NEVER try to extinguish a fire with water, but switch off the appliance and cover flame, eg with a lid or fire blanket, or use dry chemical or foam-type extinguisher.
- Do not store items on cooking surfaces.

⚠ WARNING!



Cut Hazard

Failure to use caution could result in injury.

- The razor-sharp blade of a cooktop scraper is exposed when the safety cover is retracted. Use with extreme care and always store safely and out of reach of children.

⚠ WARNING!

Hot Surface Hazard

Failure to follow this advice may result in death.



- DO NOT TOUCH SURFACE UNITS OR AREAS NEAR UNITS - Surface units may be hot even though they are dark in color.
- During use, accessible parts of this appliance will become hot enough to cause burns.
- Do not let body, clothing or any item other than suitable cookware contact with the ceramic glass until the surface is cool.
- Never leave metal objects (such as kitchen utensils) or empty pans on the cooktop as they can become hot very quickly.
- Beware: magnetisable metal objects worn on the body may become hot in the vicinity of the cooktop. Gold or silver jewellery will not be affected.
- Keep children away.
- Handles of saucepans may be hot to touch. Check saucepan handles do not overhang other cooking zones that are on. Keep handles out of reach of children.
- Failure to follow this advice could result in burns and scalds.

⚠ WARNING!



Health Hazard

Failure to follow this advice may result in death.

- This appliance complies with electromagnetic safety standards. However, persons with cardiac pacemakers or other electrical implants (such as insulin pumps) must consult with their doctor or implant manufacturer before using this appliance to make sure that their implants will not be affected by the electromagnetic field.

READ AND SAVE THIS GUIDE

To reduce the risk of fire, injury to persons or damage when using the appliance, follow the important safety instructions listed below. Read all the guidance before using the appliance. Ensure your appliance is properly installed and grounded by a qualified technician.

General Use

- Never leave the appliance unattended when in use. Boilover causes smoking and greasy spillovers that may ignite.
- Never use your appliance as a work or storage surface.
- Wear proper apparel — Loose-fitting or hanging garments should never be worn while using the appliance.
- Do not leave any magnetic item, e.g. cutlery, roast dish, etc. on your cooktop, including the cooking zones and user interface.
- Do not place or leave any magnetisable objects (eg credit cards, memory cards) or electronic devices (eg computers, MP3 players) near the appliance, as they may be affected by its electromagnetic field.
- We recommend using plastic or wooden kitchen utensils for cooking with your induction cooktop.
- Storage in or on appliance — Flammable materials should not be stored in an oven or near surface units.
- Do not place metallic objects such as knives, forks, spoons and lids on the cooktop surface since they can get hot.
- Do not place or leave aluminium foil on the cooktop.
- Never use your appliance for warming or heating the room.
- Do not use water on grease fires - Smother fire or flame or use dry chemical or foam-type extinguisher.
- Use only dry potholders — Moist or damp potholders on hot surfaces may result in burns from steam. Do not let potholder touch hot heating elements. Do not use a towel or other bulky cloth.

SAFETY AND WARNINGS

- Use proper pan size — This appliance is equipped with one or more surface units of different size. Always place small pans in the centre of the cooking zone. Select utensils having flat bottoms large enough to cover the surface unit heating element. The use of undersized utensils will expose a portion of the heating element to direct contact and may result in ignition of clothing. Proper relationship of utensil to burner will also improve efficiency.
- After use, always turn off the cooking zones and the cooktop as described in this guide (ie by using the touch controls). Do not rely on the pan detection feature to turn off the cooking zones when you remove the pans.
- Do not use a steam cleaner to clean your cooktop.
- Do not place or drop heavy objects on your cooktop.
- Do not stand on your cooktop.
- Do not use pans with jagged edges or drag pans across the ceramic glass surface as this can scratch the glass.
- Do not use scourers or any other harsh/abrasive cleaning agents to clean your cooktop, as these can scratch the ceramic glass.
- Do not operate your cooktop by means of an external timer or separate remote-control system.
- Do not cook on broken cooktop — If cooktop should break, cleaning solutions and spillovers may penetrate the broken cooktop and create a risk of electric shock. Contact a qualified technician immediately.

Child Safety

- Do not allow children to play with the appliance or sit, stand, or climb on it.
- Do not store items of interest to children in cabinets above the appliance. Children climbing on the cooktop could be seriously injured.
- Do not leave children alone or unattended in the area where the appliance is in use. Children of less than 8 years old must be kept away from the appliance unless continuously supervised. This appliance can be used by children aged from 8 years and above, and persons with reduced physical, sensory or mental capabilities or lack of experience and knowledge, if they have been given supervision or instruction concerning the use of the appliance in a safe way and they understand the hazards involved. Cleaning and user maintenance shall not be done by children without supervision.

Cleaning

- Clean cooktop with caution — If a wet sponge or cloth is used to wipe spills on a hot cooking area, be careful to avoid steam burn. Some cleaners can produce noxious fumes if applied to a hot surface.

Servicing

- Do not repair or replace any part of the appliance unless specifically recommended in the user guide. All other servicing should be undertaken by a Fisher & Paykel trained and supported service technician or qualified person.
- If the power supply cable is damaged, it must only be replaced by a qualified technician.
- If the appliance is malfunctioning, then contact your Authorized Service Center or Customer Care to arrange for service. Do not use your appliance until it has been repaired by a Fisher & Paykel trained and supported service technician or qualified person.
- CAUTION: The cooking process has to be supervised. A short term cooking process has to be supervised continuously.

SAFETY AND WARNINGS

Standard Requirements

- This induction cooktop generates and uses ISM frequency energy that heats cookware by using an electromagnetic field. It has been tested and complies with Part 18 of the FCC Rules for ISM equipment. This induction cooktop meets the FCC requirements to minimize interference with other devices in residential installation. Induction cooktops may cause interference with television or radio reception. If interference occurs, the user should try to correct the interference by:
 - Relocating the receiving antenna of the radio or television
 - Increasing the distance between the cooktop and the receiver
 - Connecting the receiver into an outlet different than the receiver.

COMPONENTS REQUIRED

Not supplied

- | | | | |
|--------------------------|----------------------|--------------------------|---|
| <input type="checkbox"/> | Silicone gun | <input type="checkbox"/> | Ducting* |
| <input type="checkbox"/> | Phillips screwdriver | <input type="checkbox"/> | Masking tape |
| <input type="checkbox"/> | Level | <input type="checkbox"/> | Duct tape |
| <input type="checkbox"/> | Box cutter | <input type="checkbox"/> | Black installations:
Black, matte finish silicone rated
to 210°F (100°C) or above** |
| <input type="checkbox"/> | Router | <input type="checkbox"/> | Grey installations:
Grey, matte finish silicone rated
to 210°F (100°C) or above*** |
| <input type="checkbox"/> | Hex key | | |
| <input type="checkbox"/> | Spanner | | |

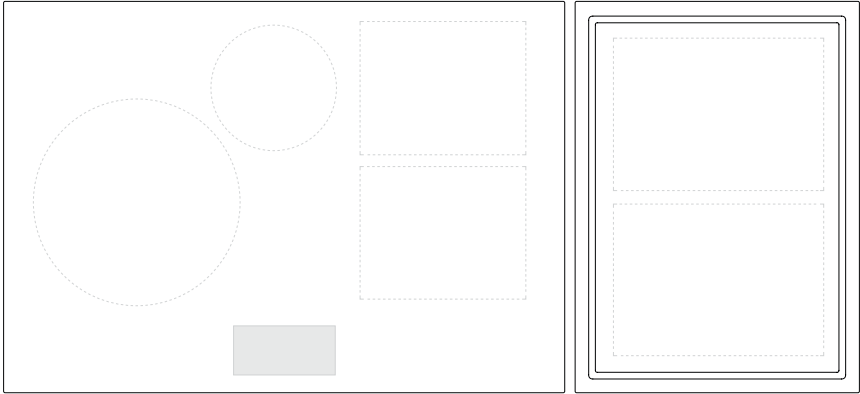
*Ducting must be purchased separately. Downdraft outlet and external blower are designed for 2.25" x 12" metal ducting. An optional accessory to allow for 3.25" x 12" metal ducting is available to purchase separately via fisherpaykel.com.

Recommendation: Maxisil N30 Matte Black | *Recommendation: Maxisil A13 Anthracite

ACCESSING YOUR PRODUCT SPECIFICATIONS

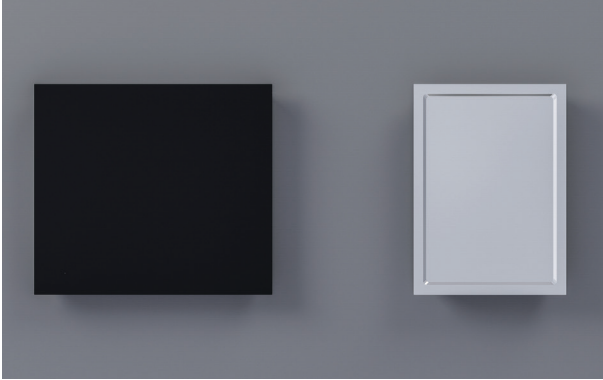


For full product, cabinetry and service specifications, refer to the Planning Guide. To access the Planning Guide, scan the QR code or visit fisherpaykel.com/specify. Search by appliance type, product name or model code.

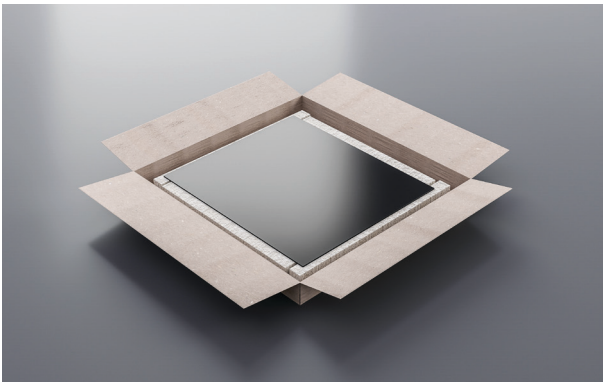


Sample configuration

UNPACK ALL PRODUCTS



1. Ensure all products and accessories are present.



2. Carefully remove products from cartons. Set aside on a protected surface. Dispose of packaging responsibly.

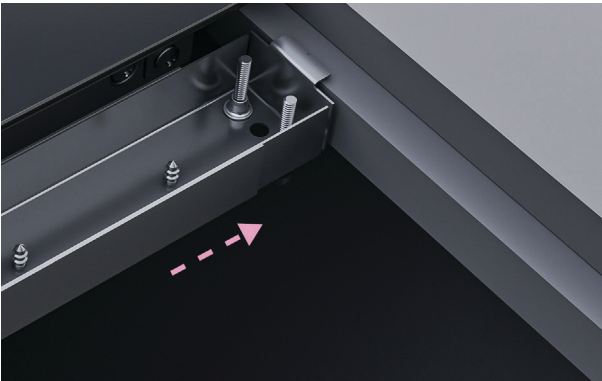


3. Test electrical connections of all products before proceeding with installation.

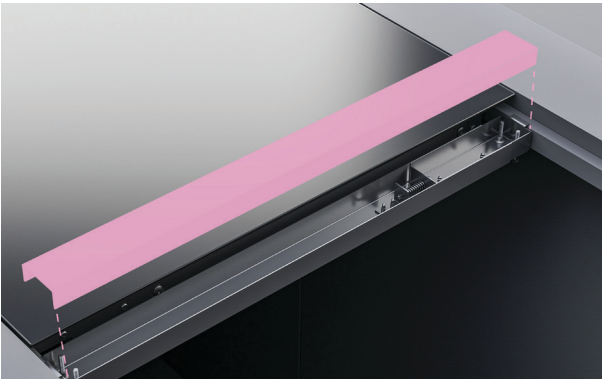
INSTALL IN CUTOUT



1. Gently lower the first product into the cutout.

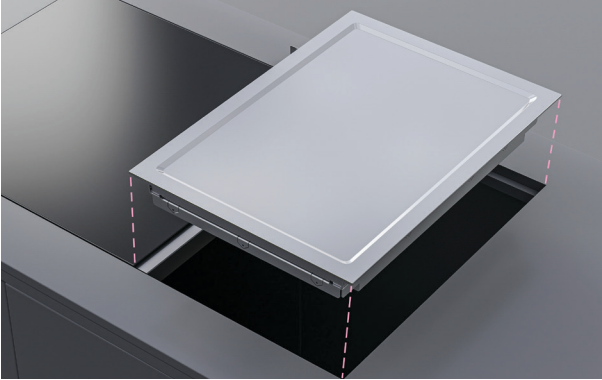


2. Align the rear of the joining bracket to the back edge of the cutout and slot into place..



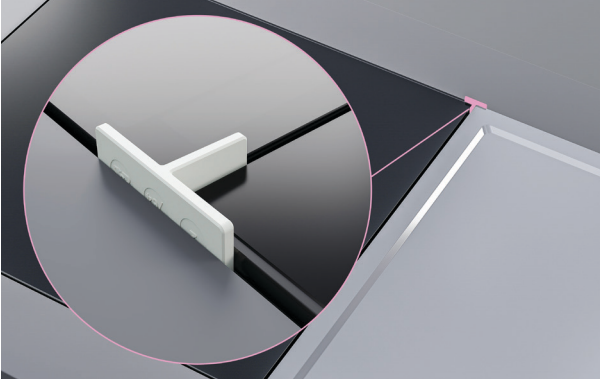
3. Fit cover onto joining bracket before sliding it under the adjacent product.

INSTALL IN CUTOUT

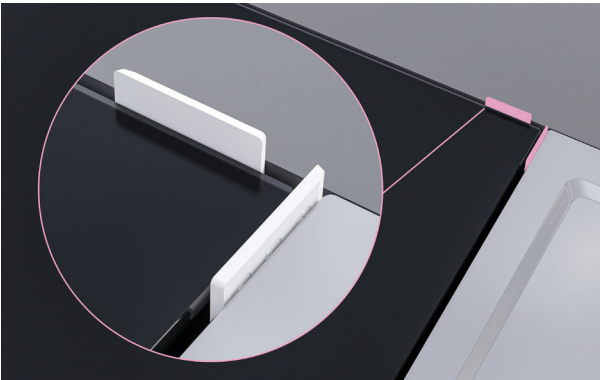


4. Gently lower additional products and joining strips into cutout as required.

ALIGN PRODUCTS



1. Slot the T spacers between the products. Adjust positioning to ensure even spacing between products is achieved.



2. Flush installations:

Place the shims around the outer edges of the cutout. Adjust positioning to ensure even spacing around the product set is achieved.



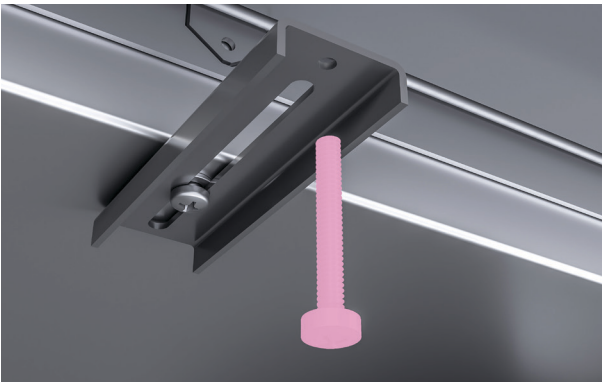
3. Place the shims on top of the product to gauge what thickness is required to create a level installation.

Slot the shims under the products to raise as needed.

SECURE TO CUTOUT



1. Fit the securing brackets to the base of each cooktop. A minimum of two brackets per cooktop is recommended.



2. Tighten all clamp screws to secure the cooktops to the cutout and joiner strips.

CONNECT POWER

Before connecting to the mains power supply check that:

- The domestic wiring system is suitable for the power drawn by the cooktop.
- The voltage corresponds to the value given on the rating plate.
- The power supply cable sections can withstand the load specified on the rating plate.

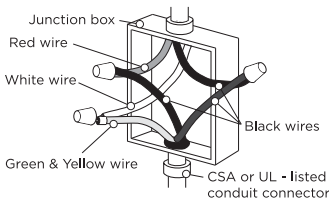


fisherpaykel.com/specify

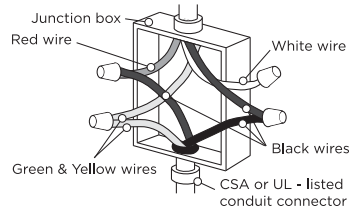
Refer to the Planning Guide for full service information.

..... CIT22D, CI152D, CIT122D, CIT152D MODELS

3 wire cable from power supply

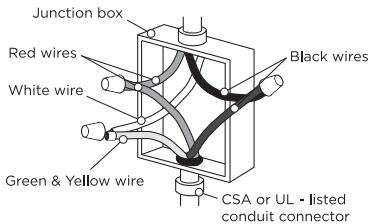


4 wire cable from power supply

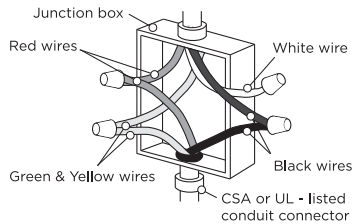


..... CI244D, CI304D, CI365D MODELS

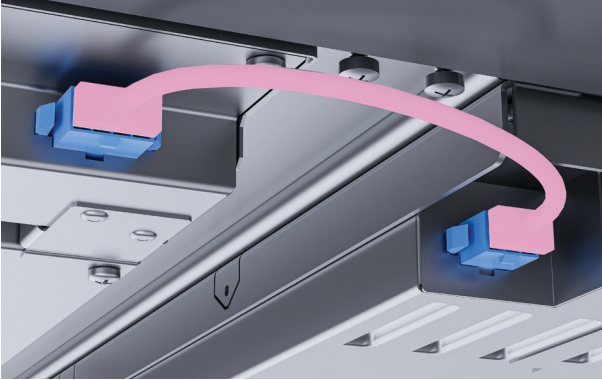
3 wire cable from power supply



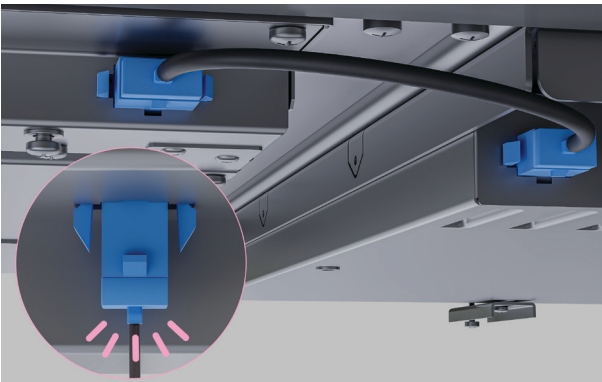
4 wire cable from power supply



LINK PRODUCTS



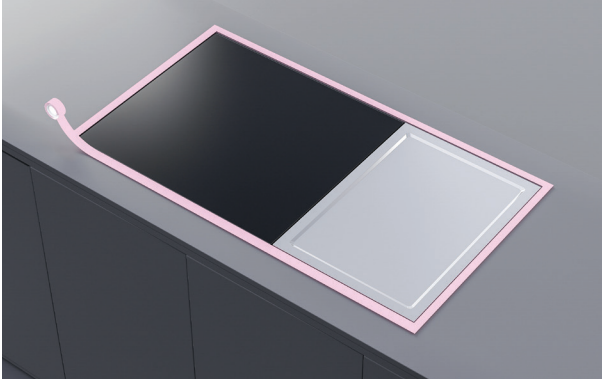
1. Link each product to the adjacent product using the supplied communication cables. Ensure 8-pin plugs are only connected to 8-pin sockets and 6-pin plugs connected to 6-pin sockets.



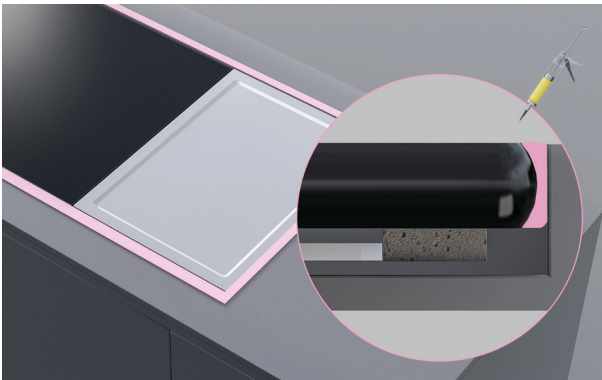
2. Ensure all cables click into place and are routed away from cooktop exhausts. Secure to cabinetry using the supplied harness retainers.

SEAL PRODUCTS INTO CAVITY (FLUSH INSTALLATIONS)

Some silicone products may cause discoloration of the glass, in most cases this will fade as the silicone cures. Avoid applying too much silicon during installation.



1. Mask the area to be siliconed ensuring all products and the countertop are protected.



2. Carefully apply silicone in the gaps between the countertop and products.

Wipe away any excess silicone and remove mask once silicone has dried.

INSTALLER CHECKLIST

TO BE COMPLETED BY THE INSTALLER

GENERAL

- Specified clearances have been maintained.
- Products are level - front to back and side to side.
- All packaging materials have been removed.
- There is constant flow of cool air from the cabinetry to the base of the products.
- Products have all been securely clamped.
- Communication cables are routed away from cooktop exhausts, secured to cabinetry and are unobstructed by drawers or other objects.
- Module layout configuration has been checked and confirmed.
- Touch controls and displays are functioning.
- Ducting has been secured and taped into place

ELECTRICAL

- Receptacle with correctly rated over-current protection is provided for service cord connection.
- Adequate ground connection established.
- Power supply cable is accessible and is not touching the products.

FISHERPAYKEL.COM

© Fisher & Paykel Appliances 2023. All rights reserved.

The models shown in this guide may not be available in all markets
and are subject to change at any time.

The product specifications in this guide apply to the specific products and
models described at the date of issue. Under our policy of continuous product
improvement, these specifications may change at any time.

For current details about model and specification availability in your country,
please go to our website or contact your local Fisher & Paykel dealer.

432251A 12.23