

# Wall Cooker Hood, 60cm, Box Chimney

Series 7 | Contemporary

Stainless Steel and Glass

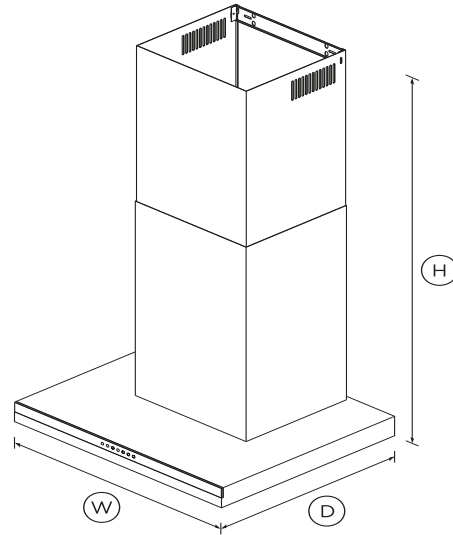


The wall chimney cooker hood has a contemporary styling, extracting steam, grease and cooking odours quietly and efficiently.

- With four fan speeds, plus boost function, select the perfect extraction rate for your cooking
- Powerful maximum air movement 710m<sup>3</sup>/hr
- Dishwasher safe filters that are easy to remove and clean

## DIMENSIONS

Height	600-1035mm
Width	600mm
Depth	500mm



## FEATURES & BENEFITS

### Effective and quiet

This cooker hood features four fan speeds, plus a boost function, providing powerful extraction to quickly remove odours and steam. As odours can linger in the kitchen well after cooking is finished, the timer keeps the cooker hood working for up to 15 minutes before automatically turning off.

### Simple to use

This Fisher & Paykel chimney cooker hood features a sleek and easy to use touch-control panel. Low energy, dimmable LED

lights provide superb illumination over the entire cooking surface.

### Easy cleaning

Designed for simple removal, the filters are easy to clean and dishwasher safe. The stainless steel mesh cover just needs a quick wipe to keep clean. An alert reminds you when to clean the filter to ensure you get the best performance out of your cooker hood.

### Designed to match

This wall cooker hood features sleek black glass and stainless steel styling which will complement any contemporary kitchen and is designed to match the rest of Fisher & Paykel's kitchen appliance family.

## SPECIFICATIONS

### Accessories

Aluminium filter	791938
Chimney extension	792492
Eave ducting kit	RHK150E
Light bulb	792556
Recirculation carbon filter	792481
Recirculation diverter	792560
Side wall ducting kit	RHK150W

### Consumption

Energy rating	B
---------------	---

### Fan ratings

Maximum air movement	636m <sup>3</sup> /hr
Maximum motor performance	1100cm/hr
Maximum pressured air	636m <sup>3</sup> /hr

Maximum sound rating	<b>69dBA</b>
----------------------	--------------

Control type	<b>Capacitive touch</b>
--------------	-------------------------

#### Installation and cleaning

Dishwasher safe filters	<b>2</b>
Ducted	<b>Top extraction</b>
Recirculation	<b>Optional - top extraction</b>
Stainless steel filter cover	<b>•</b>
Two piece height adjustable	<b>•</b>

#### Ventilation features

Dimmable lights	<b>•</b>
Light type	<b>LED</b>
Timer function	<b>•</b>

#### Warranty

Parts and labour	<b>5 years</b>
------------------	----------------

#### Other product downloads available at fisherpaykel.com

- [↓](#) User Guide
- [↓](#) Installation Guide
- [↓](#) Data Sheet Wall Rangehood

#### Performance

Airflow balancing plate	<b>•</b>
Extraction type	<b>Surface</b>
Fan speeds	<b>4</b>
Filter type	<b>Mesh with Stainless Steel filter</b>
Number of filters	<b>2</b>

SKU	<b>50119</b>
-----	--------------

TEST The product dimensions and specifications in this page apply to the specific product and model. Under our policy of continuous improvement, these dimensions and specifications may change at any time. You should therefore check with Fisher & Paykel's Customer Care Centre to ensure this page correctly describes the model currently available. ? Fisher & Paykel Appliances Ltd 2020

#### Power requirements

Lighting power	<b>7W</b>
Motor power	<b>130W</b>
Rated current	<b>3A</b>
Supply frequency	<b>50Hz</b>
Supply voltage	<b>220-240V</b>
Total Power	<b>137W</b>

#### Product dimensions

Depth	<b>500mm</b>
Height	<b>600-1035mm</b>
Width	<b>600mm</b>

#### Product information



#### A PEACE OF MIND SALE

**24 Hours 7 Days a Week Customer Support**

**T 08000 886 605 Wwww.fisherpaykel.com**