

Built-in Coffee Maker, 60cm

Series 9 | Contemporary

Stainless Steel

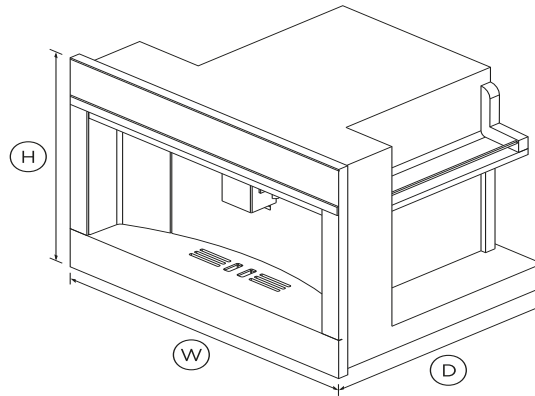


Our built-in coffee maker pours a delicious coffee, however you take it. Pairs perfectly with 60cm ovens and companion products.

- Barista-standard coffee just the way you like it, with 13 options from Flat White to Latte or Americano
- Your favourite coffee can be memorized and set to start at the same time each day, so it's ready when you are
- With self-cleaning function for an effortless clean
- Part of our suite of companion products, designed to match aesthetically for flexible configurations.

DIMENSIONS

Height	458mm
Width	596mm
Depth	480mm



FEATURES & BENEFITS

Coffee Choice

Your Coffee Maker has 13 different choices to suit your taste and selection - from Espresso to Latte and more.

SELF-CLEANING

The Coffee Maker has a self-cleaning function. It comes with a removable drip tray and a waste container for used coffee grounds.

Seamless Integration

Finished in black reflective glass with a polished metal trim, this Coffee Maker matches the other companion products and the rest of the Fisher & Paykel kitchen family.

PERSONALISE YOUR CUP

Program an automatic setting to start up at the same time each day and memorise your favourite coffee. Twin LED lights illuminate your beverages so you can see what you are doing on those dark mornings.

Sized To Suit

This 60cm Built-in Coffee Maker is perfect for the compact kitchen and can be placed virtually anywhere. All companion products can be installed at a convenient height to suit your kitchen design and preference.

Barista-Style Coffee

The conical burr grinder delivers a consistent grind for the perfect coffee. Set it to suit your preference.

SPECIFICATIONS

Accessories

- Coffee spoon
- Descaling agent bottle
- Extractable steam outlet
- Water Filter

Accessories (sold separately)

Matching Trim Kit	Optional 76cm trim kit Part
Optional lower trim kit	Part 81662

Capacity

Grounds container capacity	14 cups of coffee
Number of cups	1 or 2
Water tank capacity	2.5L

Cleaning

- Easy to remove coffee grinds
- Easy to remove stainless steel
- Removable drip tray with level
- Self-clean function

Controls

- Cleaning reminder
- Coffee grounds full reminder
- High resolution touch display
- Intuitive information display
- LED lights **4**
- Multi-language interface
- Refill coffee bean reminder
- Water tank empty indicator

Functions

- Americano
- Cappuccino
- Coffee
- Coffee strength levels **5**
- Cup size levels **4 + manual**
- Double espresso
- Espresso
- Espresso macchiato
- Flat white
- Hot milk
- Hot water
- Latte
- Latte macchiato
- Long black

- Personalised coffee
- Takes pre-ground coffee

Performance

- Coffee temperatures **5 x settings**
- Grinder **Stainless steel conical burr**
- Grinding coarseness **13 positions**
- Heating system **Thermablock with stainless**
- Integrated cup warmer shelf
- Integrated storage for
- Pump power **50**
- Pump pressure **15Bar**

Power requirements

- Amperage **10A**
- Supply frequency **50Hz**
- Supply voltage **240V**

Product dimensions

- Depth **480mm**
- Height **458mm**
- Width **596mm**

Warranty

- Parts and labour **1 year**

- SKU **81340**

The product dimensions and specifications in this page apply to the specific product and model. Under our policy of continuous improvement, these dimensions and specifications may change at any time. You should therefore check with Fisher & Paykel's Customer Care Centre to ensure this page correctly describes the model currently available. ? Fisher & Paykel Appliances Ltd 2020

Other product downloads available at fisherpaykel.com



User Guide



Restriction of Hazardous Substances



Service & Warranty



Installation Guide



Data Sheet Coffee Maker



A PEACE OF MIND SALE

24 Hours 7 Days a Week Customer Support

T 400 640 8777 **W**www.fisherpaykel.com