

Condensing Dryer, 8kg

Series 5 | Condensing

White

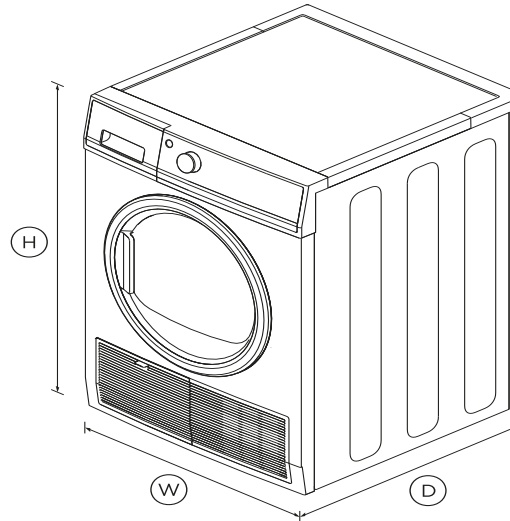


With no need to vent moisture outside your condensing dryer can be incorporated into any laundry design, for a beautiful laundry.

- 11 drying cycles including Delicate, Easy Iron and Rack Dry
- Auto-sensing detects moisture levels to prevent under or over drying
- No need for external venting, allowing your dryer to be placed anywhere in your home

DIMENSIONS

Height	850mm
Width	600mm
Depth	645mm



FEATURES & BENEFITS

HEALTHIER DRYING

Condensing technology drains water from the dryer into a tank. This reduces moisture and allergens released into your laundry compared with a front venting dryer. A healthier choice for allergy sufferers.

EASE OF USE

This dryer has a cycle to suit every type of load including Delicate, Heavy and Freshen. Select a cycle with the easy-to-use SmartTouch™ control dial.

DRYING RACK

This model comes with a drying rack, perfect for those items that are too precious to tumble.

CARES FOR CLOTHES

Auto-sensing prevents over-drying by sensing moisture levels inside the drum and shutting off automatically. This helps clothes last for longer and reduces energy consumption.

DRUM LIGHT

A handy interior light turns on when you open the dryer door, providing improved visibility inside the drum.

PERFECT PAIR

Fisher & Paykel washing machines and dryers are designed to match and look stylish together in your laundry, and can be stacked to offer you more storage space.

SPECIFICATIONS

Consumption

Energy rating **7 star**

Dry Cycles

- Air Dry
- Air dry/Air fluff cycle
- Bulky
- Delicate
- Easy Iron
- Everyday
- Heavy
- Rack dry
- Steam Freshen
- Time to dry 30
- Time to dry 60

Time to dry 90	•	SKU	98114
----------------	---	-----	-------

Features

- Drum light •
- Drying rack •
- Easy access lint filter •
- End of cycle signal •
- Lint filter indicator •
- Progress indicator •
- SmartTouch™ control dial •
- Stainless steel drum •
- Wrinkle free option •

Performance

- Auto sensing •
- Condensing •
- Dryness settings 5
- Reverse tumbling •
- Temperature settings 4
- Time dry 30, 60, 90 mins

Product dimensions

- Depth 645mm
- Height 850mm
- Width 600mm

Warranty

- Parts and labour 2 years
-

The product dimensions and specifications in this page apply to the specific product and model. Under our policy of continuous improvement, these dimensions and specifications may change at any time. You should therefore check with Fisher & Paykel's Customer Care Centre to ensure this page correctly describes the model currently available. ? Fisher & Paykel Appliances Ltd 2020

Other product downloads available at fisherpaykel.com

- [↓](#) User Guide
- [↓](#) Service & Warranty
- [↓](#) Installation Guide
- [↓](#) Installation Guide - Cavity Sizes



A PEACE OF MIND SALE

24 Hours 7 Days a Week Customer Support

T 400 640 8777 W www.fisherpaykel.com