

F I S H E R & P A Y K E L

INTEGRATED COLUMN REFRIGERATOR FREEZER

RS6121WR, RS7621WR, RS6121WL
& RS7621WL models

INSTALLATION GUIDE

NZ AU GB IE

CONTENTS

Safety and warnings	4	Cavity dimensions — 610MM + 610MM dual install	29
Integrated column models	5	Cavity dimensions — 610MM + 760MM dual install	30
Check your appliance	6	Cavity dimensions — 760MM + 760MM dual install	31
Remove pre-installed parts	6	Toe kick panel dimensions — dual install	32
Moving your appliance	7	Power supply dimensions	33
Supplied parts	8	Electrical specification	34
Required parts	10	Plumbing specification	34
Door panel set	11	Before installation	35
Door and drawer handle kits	11	Install anti-tip bracket	36
Hinge change kit	12	Connect water and power supply	38
Product dimensions — 610MM model	13	Position and alignment in cabinetry	40
Cavity dimensions — 610MM model	14	Secure appliance to cabinetry	45
Door panel dimensions — 610MM model	15	Remove hanging brackets	46
Custom door panel install dimensions — 610MM model	16	Install door and drawer panels	47
Door clearance — 610MM model	17	Install locking bracket	51
Drawer clearance — 610MM model	18	Install adjustment brackets	51
Toe kick dimensions — 610MM model	19	Install toe kick panel	52
Toe kick install options	20	Install toe kick grilles	53
Product dimensions — 760MM model	21	Install top trim	53
Cavity dimensions — 760MM model	22	Install water filter	54
Door panel dimensions — 760MM model	23	Install air flow divider	55
Custom door panel install dimensions — 760MM model	24	Install cabinet side trims	56
Door clearance — 760MM model	25	Install door and drawer side trims	57
Drawer clearance — 760MM model	26	Dual installation	58
Toe kick dimensions — 760MM model	27	Change the door hinges (optional)	64
Dual install options	28	Final checklist	70

SAFETY AND WARNINGS

⚠ WARNING!



Electric Shock Hazard

Failure to follow this advice may result in electrical shock or death.

- Read and follow the safety and warnings outlined in this User guide before operating this appliance.

⚠ WARNING!



Cut Hazard

Failure to use caution could result in injury.

- Take care: panel edges may be sharp.
- Do not put fingers in the drawers when closing.

⚠ WARNING!



Tip Hazard

- This product may tip. Keep children away and take care. Failure to follow this advice may result in injury.
- This appliance is top-heavy and must be secured to prevent the possibility of tipping forward.

To ensure that the appliance is stable under all loading conditions:

- The anti-tip bracket and fittings supplied must be installed by a professional installer according to the installation steps in this guide.

SAVE THESE INSTRUCTIONS

WARNING!

To avoid hazard, follow these instructions carefully before installing or using this appliance.

- Please make this information available to the person installing the appliance.
- Assume all electrical parts are live.
- Disconnect power supply before servicing and installation.

BEFORE INSTALLATION

- The appliance has front and rear rollers for moving the appliance forward and backward. Do not move the appliance sideways to avoid damaging the rollers or the floor covering/surface.
- Ensure your appliance is not exposed to any heat generating appliance eg cooktop, oven or dishwasher.
- The appliance must be installed by a qualified installer, or Fisher and Paykel trained and supported service technician to avoid faulty electrical and plumbing connections.
- All connections for electrical power and grounding must comply with local codes and ordinances and be made by licensed personnel when required.
- Avoid installation of the appliance/s near a ground fault circuit interrupter (GFCI).
- Ensure the appliance is installed properly. Improper installation that results in appliance failure is not covered under the appliance warranty.

UNPACKING

- The appliance is heavy and requires at least two persons to move and install.
- Remove the installation kit (internal box) and trims kit (external box) while the product is still on the pallet.
- Avoid scratching the surface of your appliance when moving or installing.
- Keep the appliance stable and door closed to prevent tipping over when moving to the installation location.
- Ensure the feet of the appliance are retracted before moving to the installation location.
- If the appliance is damaged, contact your Fisher and Paykel dealer.
- Ensure all components and accessories are complete. Refer to 'Before installation' page.
- Record the default Wifi password, and the model and registration numbers for future servicing or repair of your appliance.

ELECTRICAL/PLUMBING

- Electrical and water supply connections for these appliances must be located in an adjacent area or unit (cabinet or cupboard) that are easily accessible in case of repair or disconnection.
- Ensure an isolating switch is available if electrical connection is not accessible.

INSTALLATION

Cavity preparation

- The anti-tip bracket and fittings supplied must be fitted to the wall of the finished enclosure to withstand a 100kg load.
- Ensure that the anti-tip bracket is installed correctly to prevent the possibility of the appliance tipping forward when the door is open.

SAFETY AND WARNINGS

Positioning inside the cabinetry

- Ensure the door of the appliance is closed when rolling into the cabinetry.
- Ensure the power cord is not run over or damaged when rolling the product into the cabinetry.

Aligning inside the cabinetry

- For flush installation, ensure the door panels are installed flush with cabinetry front surface. Ensure the appliance is properly centred.
- All four corners of the appliance must be supported firmly on the floor to eliminate any movement. Installing the appliance on a soft, uneven, or not level floor may cause twisting and poor door sealing.

Fixing inside the cabinetry

- Use low speed, low torque setting when using a powered driver for the screws when fixing or aligning the product.
- Make sure to remove the depth alignment brackets before fixing the appliance inside the cabinetry.
- Open the appliance door to remove the alignment brackets from both sides of the appliance, and then re-tighten the screws.

Installing the door panel

Stainless steel panel

- Protect the finish of the Fisher and Paykel Stainless Steel door panels from any scratch or damage.
- Remove the blue tape attached to inner edges of the door panels after the handles are installed.
- We recommend to load the shelves in the appliance door with weights to ensure an accurate door panel gap width. Load 15kg for 610mm models, and 20kg for 762mm models.

Custom panel

- If using Custom door panels, ensure they are prepared as per 'Custom door panel install dimensions' section.
- The thickness of the custom door panel can vary as long as the screws do not penetrate beyond the full depth of the door panel, and as long as the overall weight of door panel does not exceed the allowable weight. Refer to 'Door panel dimensions' for maximum door panel weight of your product.
- Do not place the handle holes in marked areas to avoid clashing with panel attachment brackets.
- Minimum panel thickness where screw hole is drilled must be 16mm.

Switching the door hinge (optional)

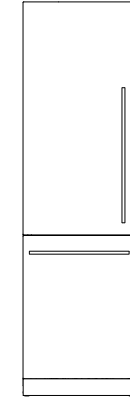
- Door hinges are interchangeable for each model. A hinge change kit is available and can be purchased separately if you prefer to change from 'right hand hinge' to 'left hand hinge' or vice versa.

INTEGRATED COLUMN MODELS



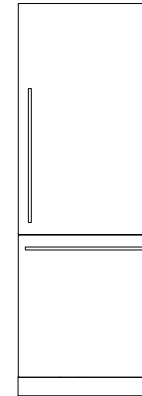
RS6184WR

Refrigerator-Freezer (610mm)
Right Hinge



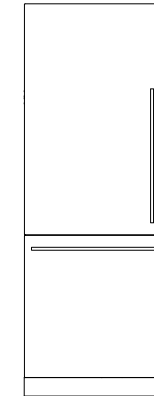
RS6184WL

Refrigerator-Freezer (610mm)
Left Hinge



RS7684WR

Refrigerator-Freezer (762mm)
Right Hinge

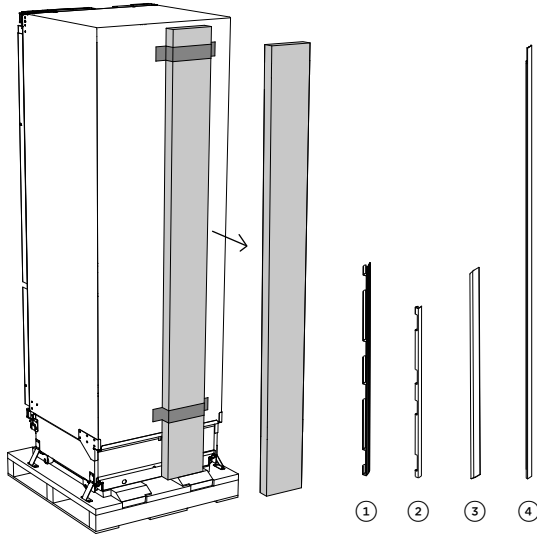


RS7684WL

Refrigerator-Freezer (762mm)
Left Hinge

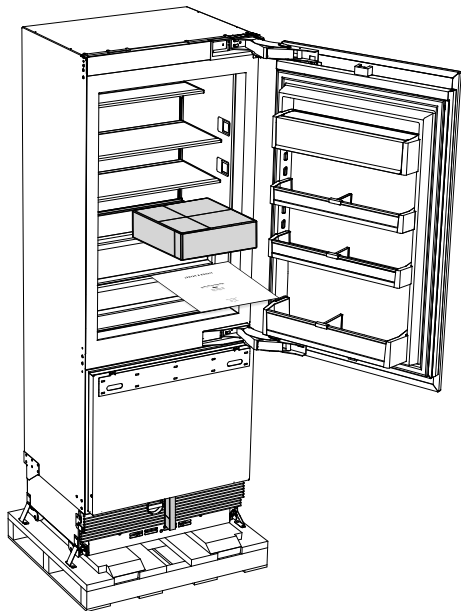
CHECK YOUR APPLIANCE

Ensure you follow the unpacking steps printed on the packaging box of your appliance. Check that your appliance is the correct model as per your order. Check that the components and install kits are complete.



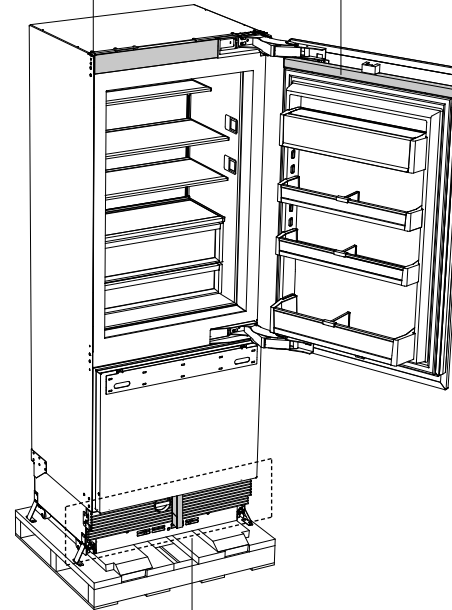
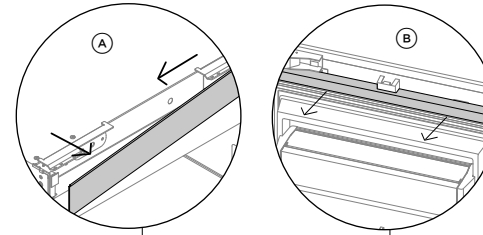
Remove the trims kit at the back of the appliance. The kit contains:

- ① Top door panel side extrusion
- ② Bottom drawer panel side extrusion
- ③ Bottom drawer top trim
- ④ Cabinet side trim



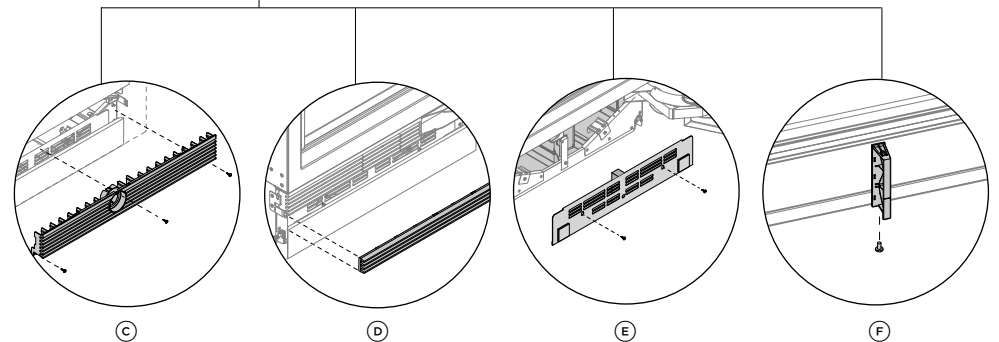
Remove the installation kit and miscellaneous items kit from inside the appliance.

REMOVE PRE-INSTALLED PARTS



Remove the pre-installed parts. Keep all parts to use later.

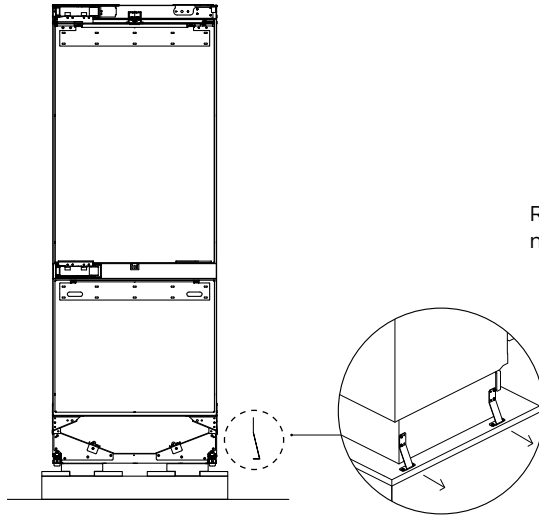
- Ⓐ Top trim
- Ⓑ Top door extrusion
- Ⓒ Top grille
- Ⓓ Bottom grille
- Ⓔ Toe kick mounting plate
- Ⓕ Air flow divider



MOVING YOUR APPLIANCE

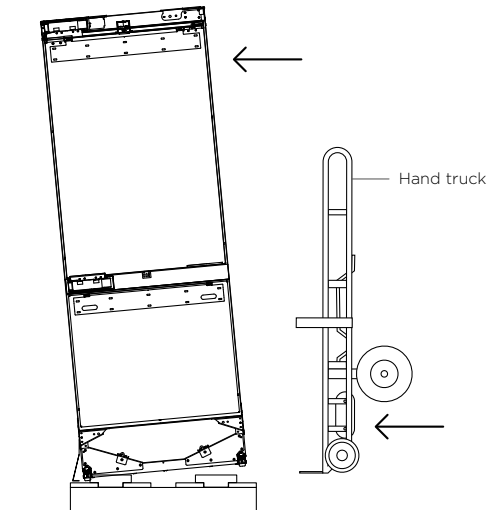
Follow the steps below to move your appliance to the install location. Be careful when tilting the appliance forward/backward. Tape the door shut to prevent opening while moving the appliance.

1



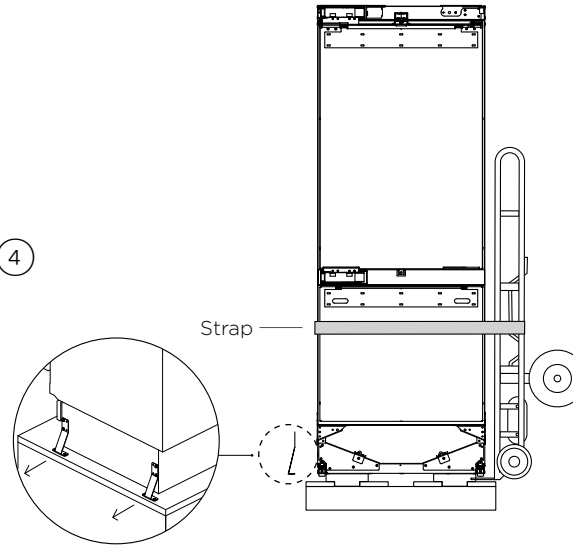
Remove the brackets from the non-hinge side of the pallet.

2



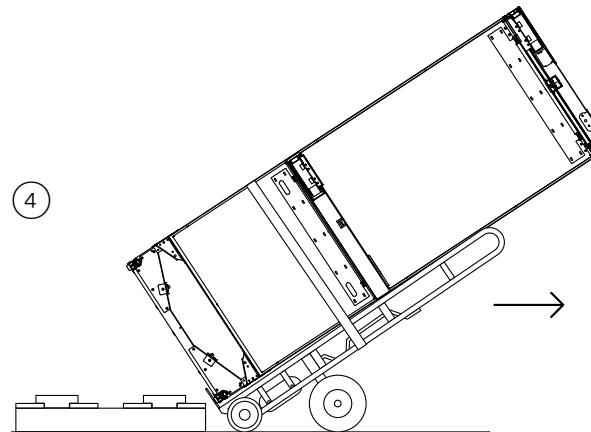
Tilt the appliance slightly forward and insert the hand truck between pallet and appliance.

4



Restrain the appliance with strap and remove the remaining brackets.

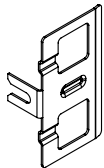
4



Tilt backward to load appliance onto hand truck and push to install location.

SUPPLIED PARTS

DOOR PANEL ATTACHMENT KIT



Side bracket (6)



Bracket slider (6)

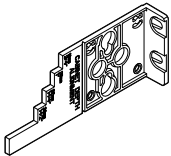


Side spacer bracket (6)

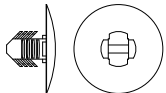


For Custom door panels:
M5x12 Cross-head screw (32)

INSTALL FASTENERS KIT



Depth alignment gauge (4)

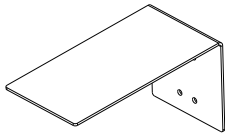


Barbed plug (2)

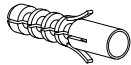


8Gx16 Countersunk screw (7)

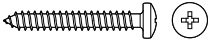
ANTI-TIP BRACKET ASSEMBLY



Anti-tip bracket (1)



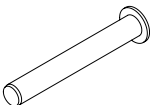
Masonry plug (4)



10-12x35mm crosshead screw (5)

MISCELLANEOUS PARTS

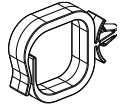
Supplied in separate bags



Hinge limiting pin (3)



Air toe kick seal (1)



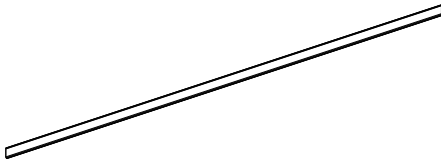
Locking clip (2)

SUPPLIED PARTS

TRIMS INSTALL KIT (EXTERNAL BOX)



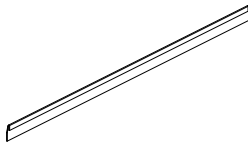
Top door panel side extrusion (2)



Cabinet side trim (2)



Bottom drawer panel side extrusion (2)



Bottom drawer top trim (1)

MISCELLANEOUS ITEM PACK



User guide (6)



Installation guide (1)



Service & Warranty (1)

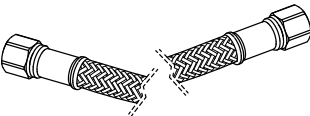
WATER FILTER KIT



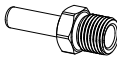
Collet locking clip (1)



Water filter (1)

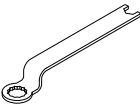


1/2 BSP Stainless steel braided hose with adaptor (1)

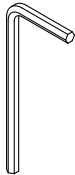


1/4" (6.35mm) Adaptor (2)

SUPPLIED TOOLS



Door spanner (1)



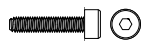
M4 Hex key (1)

REQUIRED PARTS

INSTALL JOINER KIT

Used for dual or multiple installation of appliances. Can be purchased separately through an authorised Fisher and Paykel dealer. Visit fisherpaykel.com for more information.

Top joiner fastener kit

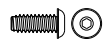


M5x20 Cap screw (1)



M5x16x1 Plain washer (1)

Bottom joiner fastener kit



M6x16 Washer screw (1)



M6x12x3.2 Plastic washer (1)

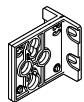


M6 Hex nut (1)

Top joiner bracket kit



8Gx16 Mush washer screw (2)



Central spacer (1)

TOE KICK PANEL

Not supplied and can be purchased separately through an authorised Fisher and Paykel dealer. Visit fisherpaykel.com for more information.



Toe kick panel (1)

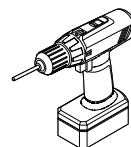
Standard toe kick height is 102mm for standard stainless steel door panel.

For Custom door panel installation, a toe kick 50-152mm must be fitted and adjusted accordingly.

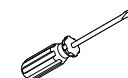
An extra bottom grille is required for 50mm toe kick installation. You can purchase the extra bottom grille (Part No. 847542P) online at fisherpaykel.com.

REQUIRED TOOLS

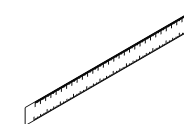
Not supplied and must be provided by the installer.



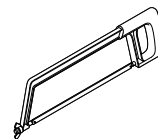
Powered driver



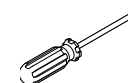
Flathead screwdriver



Ruler



Hacksaw



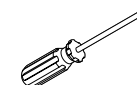
Cross-head screwdriver



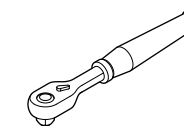
Pencil



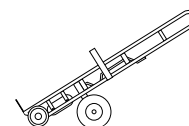
Cutter



T20 star-head screwdriver

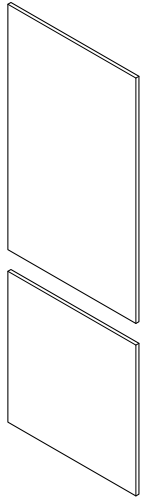


13mm socket wrench



Hand truck

DOOR PANEL SET



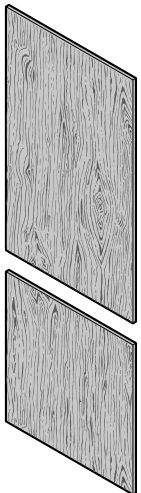
Stainless steel door panel set

Not supplied and must be purchased separately through an authorised Fisher and Paykel dealer. Visit fisherpaykel.com for more information..

MODEL	RH	LH
RS61	CA 25711	CA 25712
RS76	CA 25709	CA 25710



For SS door panels:
8Gx16 Mush washer screw (32)

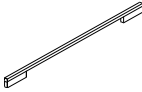

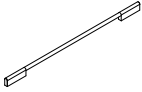

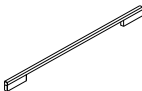

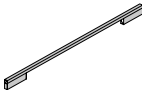



Custom door panel set

Supplied by customers to match their cabinetry.

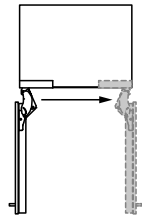
DOOR AND DRAWER HANDLE KITS

Not supplied and must be purchased separately through an authorised Fisher and Paykel dealer. Visit fisherpaykel.com for more information. Select among the handle kit options below:

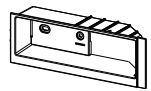
HANDLE KIT		RS61	RS76
 Square aluminum handle (1)	 M5x25 Hex screw (4)	CA 25725	CA 25717
 Round aluminum handle (1)	 M5x25 Hex screw (4)	CA 25727	CA 25719
 Square fine aluminum handle (1)	 M5x25 Hex screw (4)	CA 26014	CA 25866
 Square fine black handle (1)	 M5x25 Hex screw (4)	CA 25912	CA 25909

HINGE CHANGE KIT

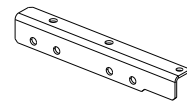
Not supplied and must be purchased separately. Available online at fisherpaykel.com.



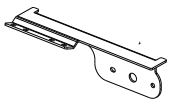
MODEL	LEFT HINGE TO RIGHT HINGE KIT
RS61	CA 848184P
RS76	CA 848184P



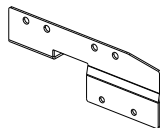
Top hinge pocket RH
(2)



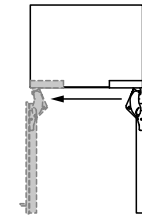
K05 bottom adaptor bracket RH
(1)



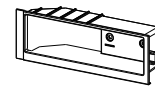
Top alcove bracket RH
(1)



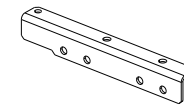
K05 top adaptor bracket RH
(1)



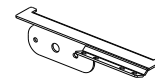
MODEL	RIGHT HINGE TO LEFT HINGE KIT
RS61	CA 848183P
RS76	CA 848183P



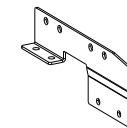
Top hinge pocket LH
(2)



K05 bottom adaptor bracket LH
(1)

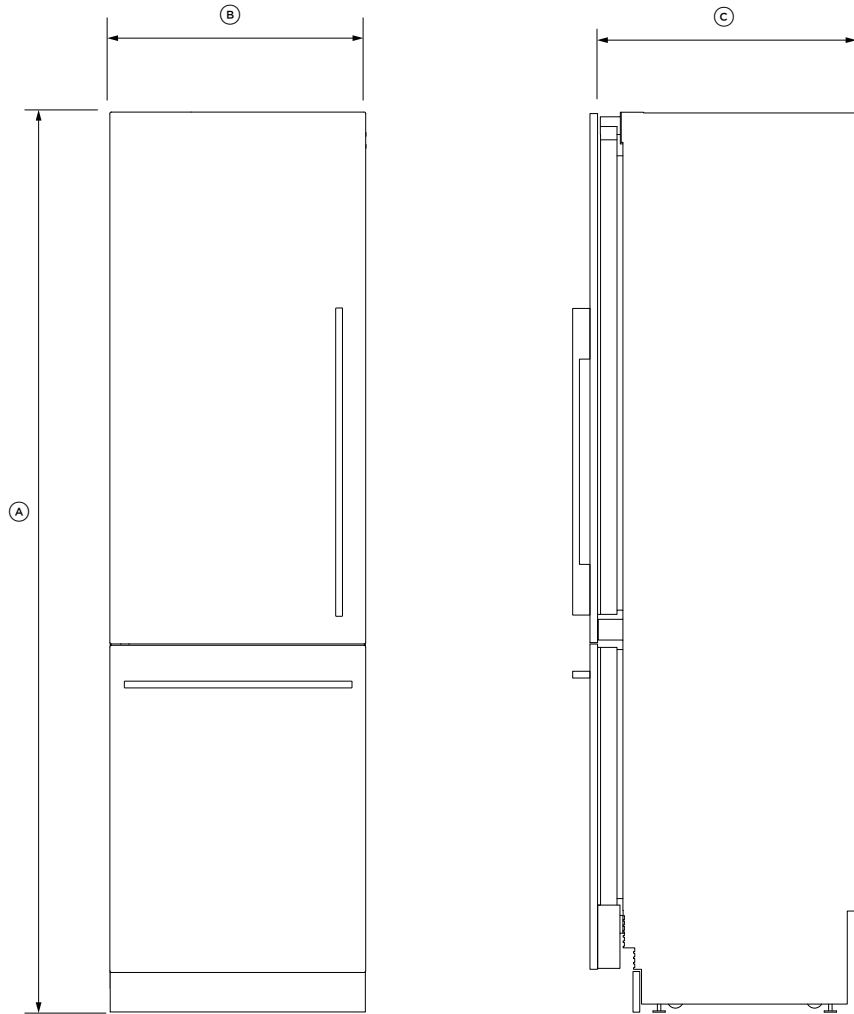


Top alcove bracket LH
(1)



K05 top adaptor bracket LH
(1)

PRODUCT DIMENSIONS — 610MM MODEL



PRODUCT DIMENSIONS		MM
Ⓐ	Overall height	2134
Ⓑ	Overall width	603
Ⓒ	Overall depth*	610

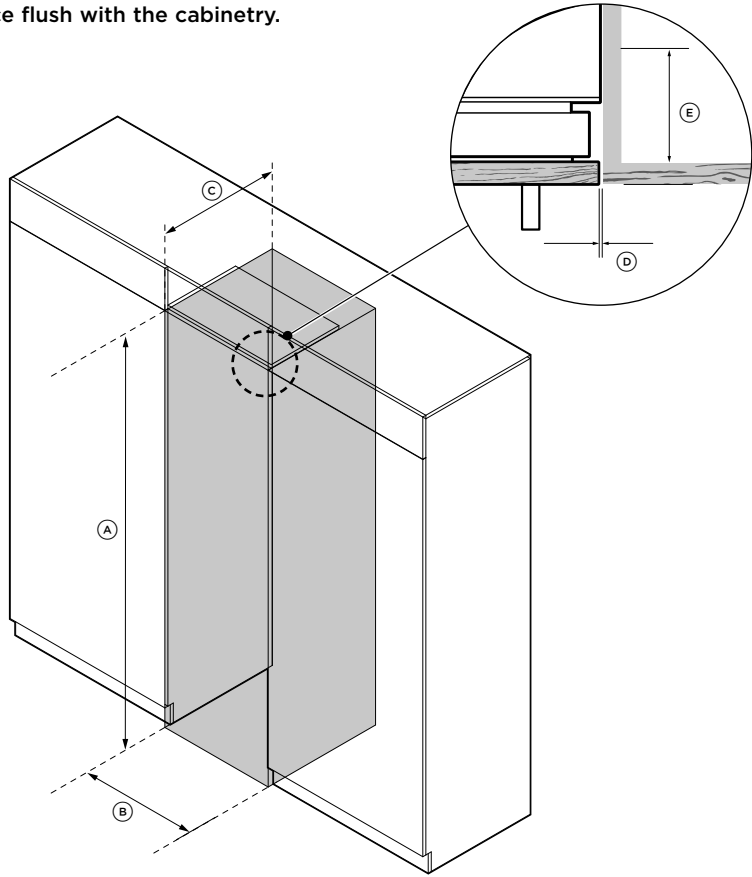
*Excluding front door panel.

PRODUCT WEIGHT		KG
	Weight (with packaging)	162
	Weight (without packaging)	142

CAVITY DIMENSIONS — 610MM MODEL

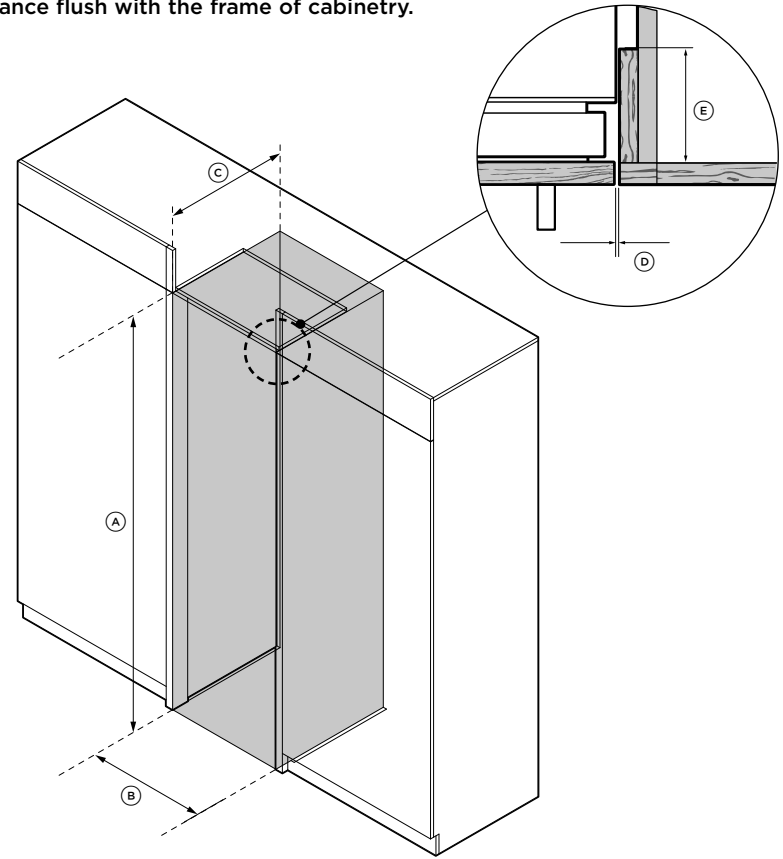
FRAMELESS CABINETRY

Aligns appliance flush with the cabinetry.



FRAMED CABINETRY

Aligns appliance flush with the frame of cabinetry.



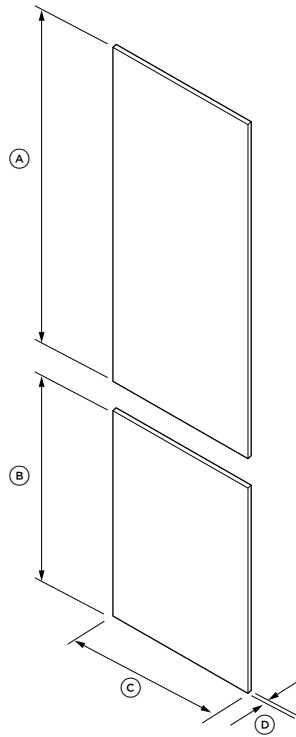
CAVITY DIMENSIONS

	MM
(A) Overall height	2134
(B) Overall width	610
(C) Minimum overall depth*	635
(D) Minimum cabinetry gap clearance from edge of door panels	3
(E) Minimum required finished return	102

* Assumes a door panel thickness of 3/4" (19mm).

DOOR PANEL DIMENSIONS — 610MM MODEL

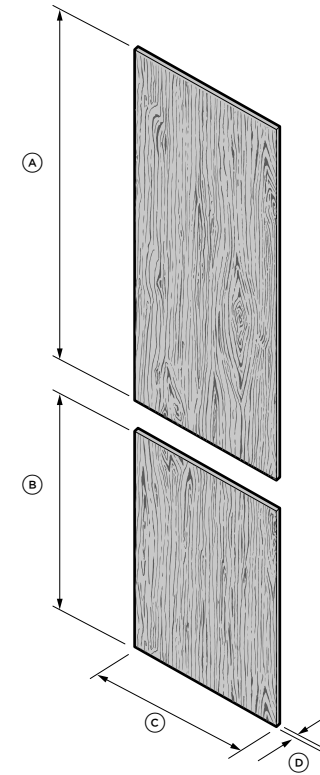
STAINLESS STEEL PANEL



DIMENSIONS	MM
Ⓐ Height of top door panel	1254
Ⓑ Height of bottom drawer panel	772
Ⓒ Width of door/drawer panel	603
Ⓓ Depth of door panel*	19
DOOR PANEL WEIGHT	KG
Weight of top door panel	9
Weight of bottom drawer panel	6

*Excluding door handle

CUSTOM PANEL



DIMENSIONS	MM
Ⓐ Height of top door panel	1254
Ⓑ Height of bottom drawer panel	772
Ⓒ Width of door/drawer panel	603
Ⓓ Depth of door panel*	min 16 - max 25
DOOR PANEL WEIGHT	KG
Weight of top door panel**	max 15 1/2
Weight of bottom drawer panel**	max 9 1/2

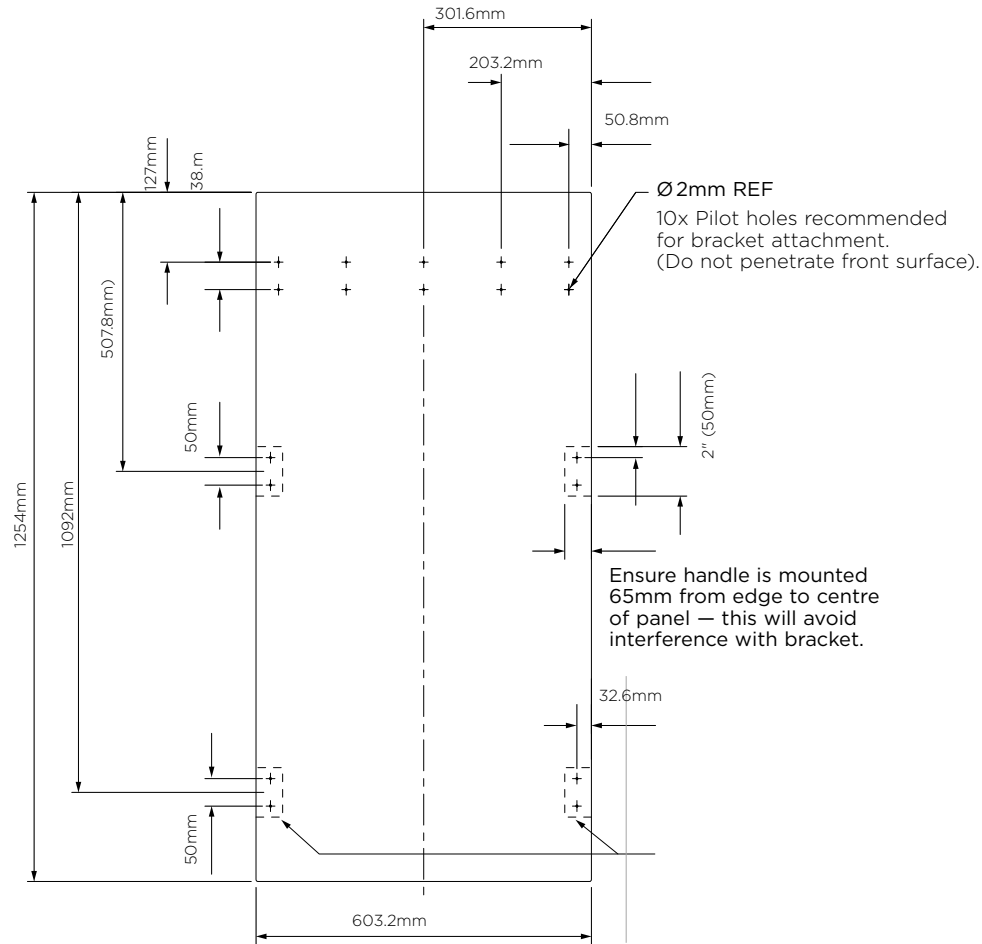
* Excluding door handle

** Maximum panel weight must not be exceeded

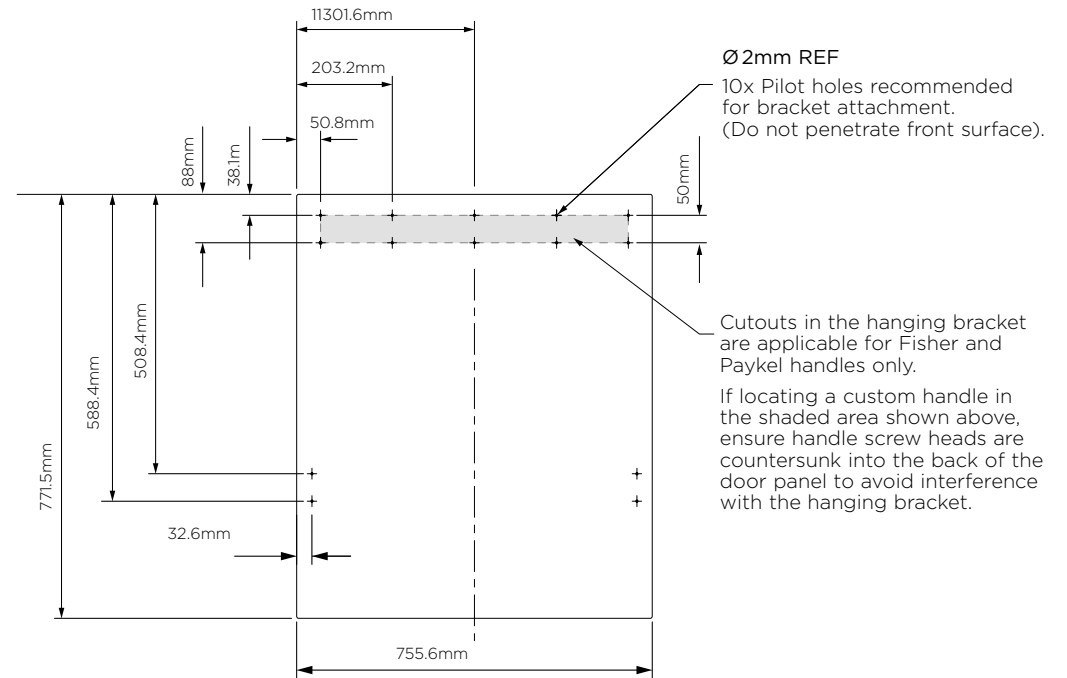
CUSTOM DOOR PANEL INSTALL DIMENSIONS — 610MM MODEL

Dimensions apply for the preparation and installation of Custom door panels. For Dwg and Dxf files of the below panel preparation download the folder on thekitchentools.fisherpaykel.com.

- The thickness of the custom door panel can vary provided that the screws do not penetrate beyond the full depth of the door panel.
- Measurements of screw hole locations can vary depending on the height of toe kick 50-152mm.



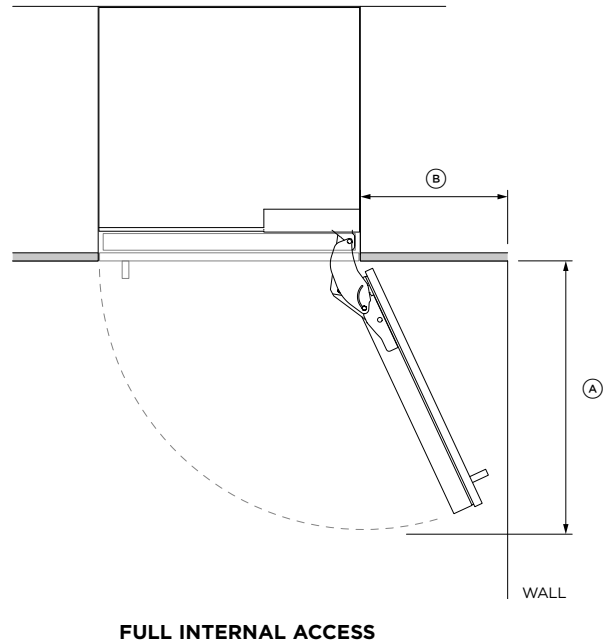
TOP PANEL — REAR VIEW



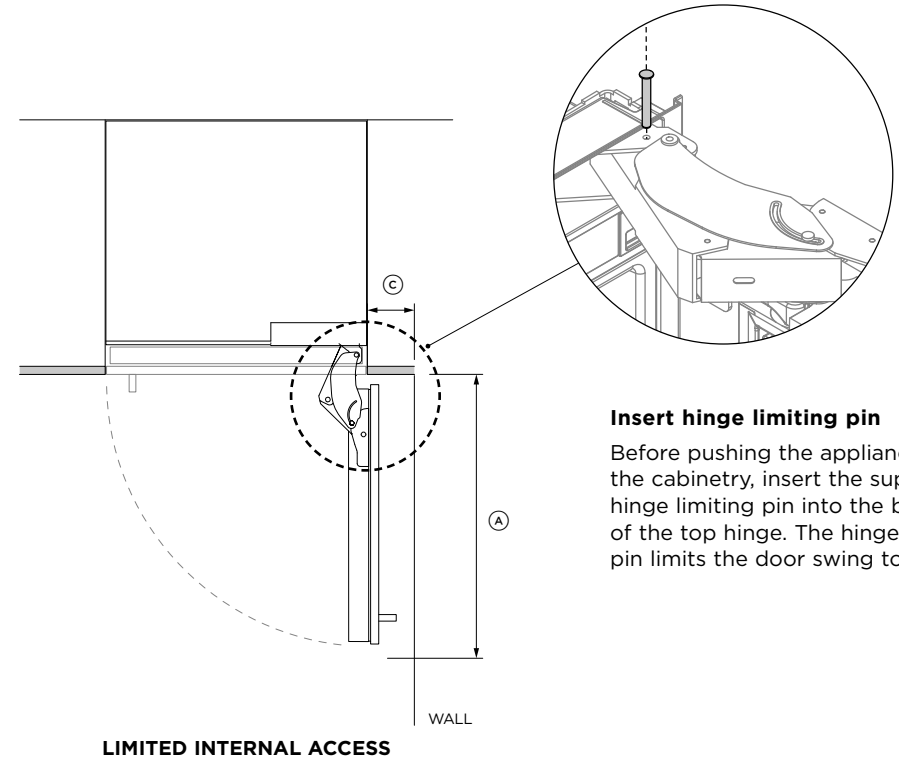
BOTTOM PANEL — REAR VIEW

DOOR CLEARANCE — 610MM MODEL

115° DOOR OPENING



90° DOOR OPENING

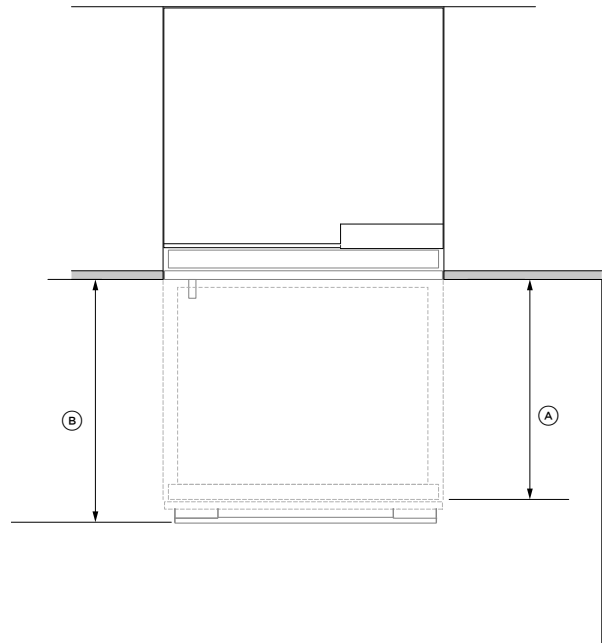


Insert hinge limiting pin

Before pushing the appliance into the cabinetry, insert the supplied hinge limiting pin into the borehole of the top hinge. The hinge limiting pin limits the door swing to 90°.

DIMENSIONS	MM
Ⓐ Width of door (90° open) measured from front of door	660
Ⓑ Minimum door clearance* to adjacent wall** (115° — full internal access)	356
Ⓒ Minimum door clearance* to adjacent wall** (90° — reduced internal access)	110

DRAWER CLEARANCE — 610MM MODEL



DIMENSIONS

	MM
Ⓐ Maximum drawer extension when open*	400
Ⓑ Maximum drawer extension when open**	461

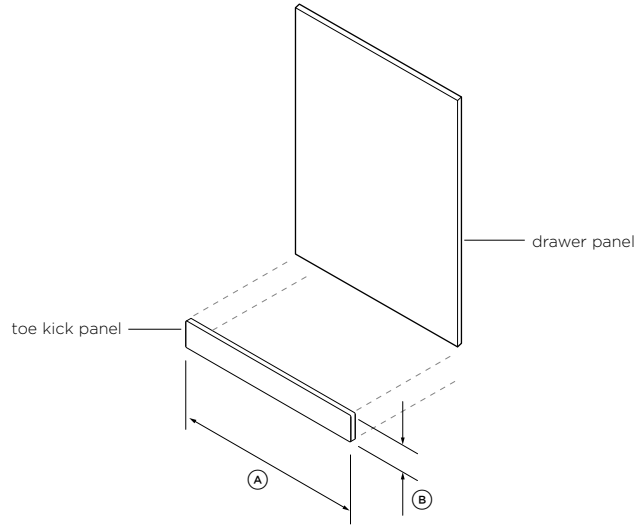
* Excluding handle

** Including handle

TOE KICK DIMENSIONS – 610MM MODEL

STAINLESS STEEL TOE KICK PANEL

Can be purchased separately through an authorised Fisher and Paykel dealer. Visit fisherpaykel.com for more information.

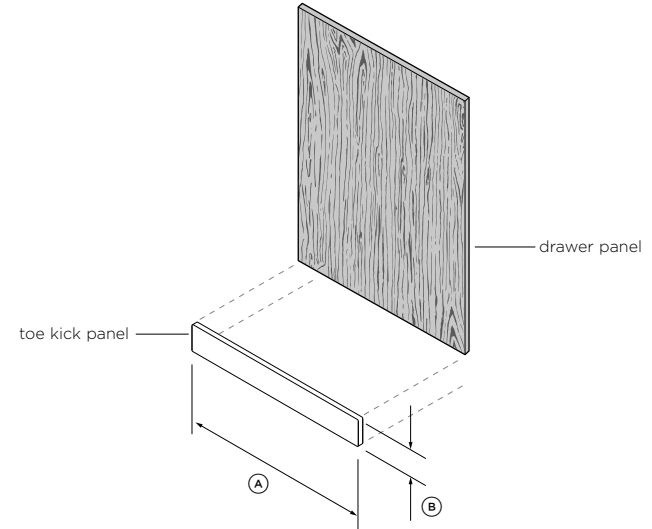


TOE KICK PANEL (CA 25390)

DIMENSIONS	MM
Ⓐ Width of toe kick	606
Ⓑ Height of toe kick	102

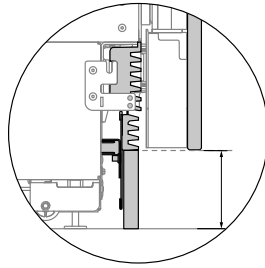
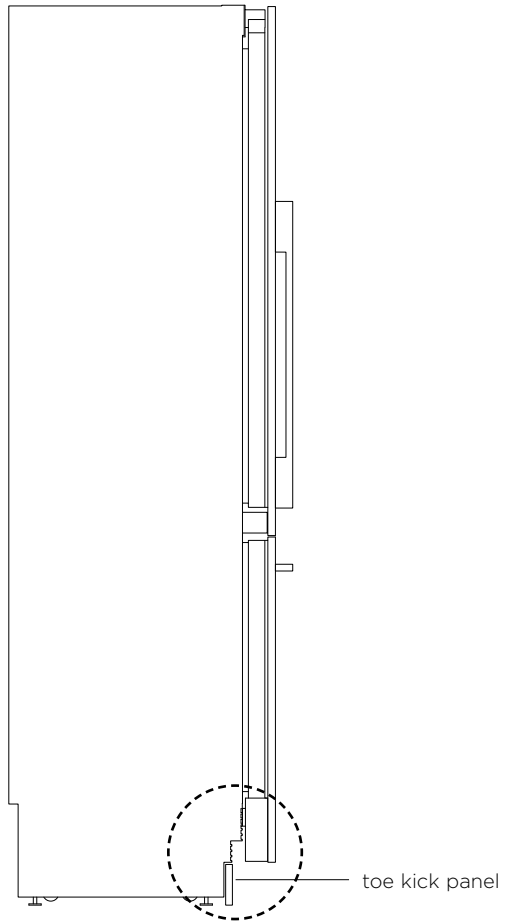
CUSTOM PANEL TOE KICK PANEL

For Custom door panel installation, a custom toe kick 2" – 6" (50 – 152mm) can be manufactured and fitted by cabinetmaker. The Custom door panel height needs to be adjusted accordingly. Extra lower grilles are required for a 2" (50mm) toe kick installation.

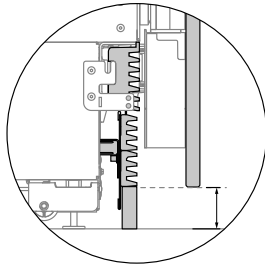


DIMENSIONS	MM
Ⓐ Width of toe kick	606
Ⓑ Height of toe kick	min 51 - max 152

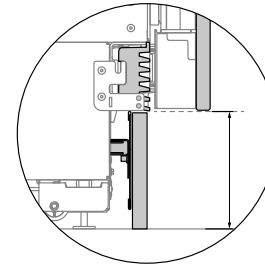
TOE KICK INSTALL OPTIONS



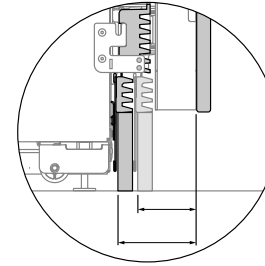
Standard toe kick height is 4" (102mm) with Stainless steel door panel.



For custom toe kick with 2" (50mm) height (extra lower grille attached).

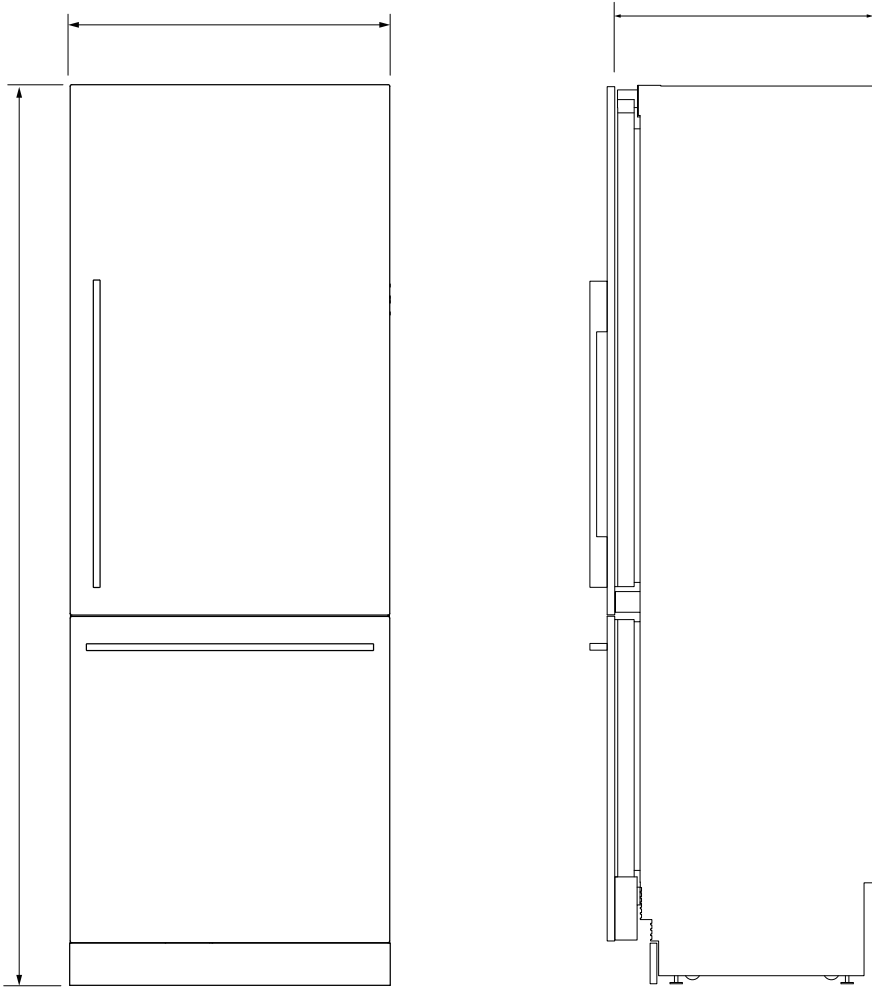


For custom toe kick with 6" (152mm) height.



Min 2 7/8" (73mm) - max 4" (102mm) toe kick depth measured from rear of door panel

PRODUCT DIMENSIONS — 760MM MODEL



PRODUCT DIMENSIONS	MM
Ⓐ Overall height	2134
Ⓑ Overall width	756
Ⓒ Overall depth*	610

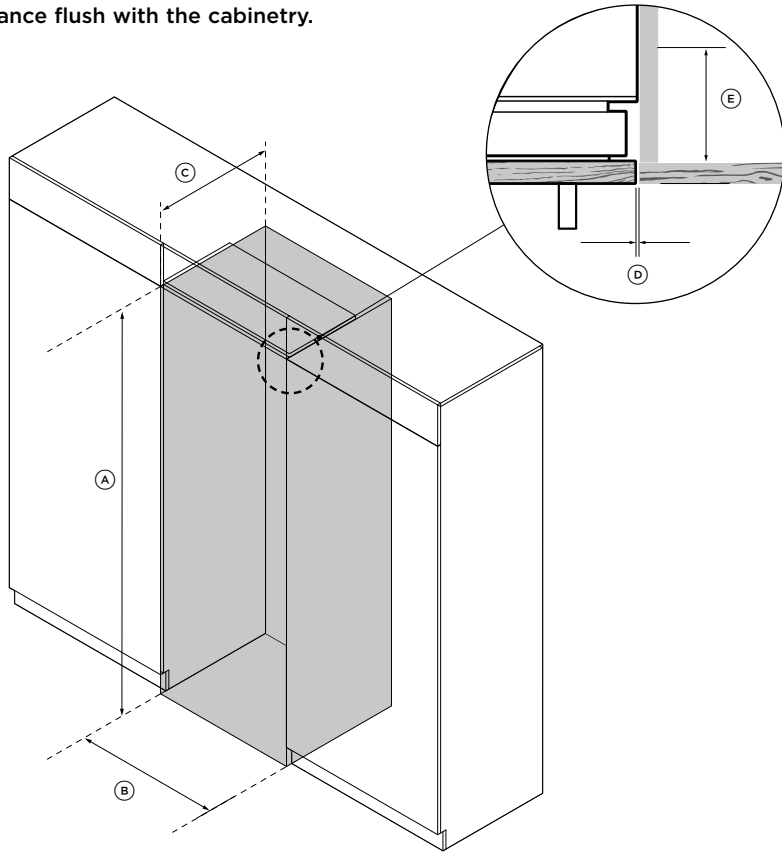
*Excluding front door panel.

PRODUCT WEIGHT	KG
Weight with packaging	184
Weight without packaging	162

CAVITY DIMENSIONS — 760MM MODEL

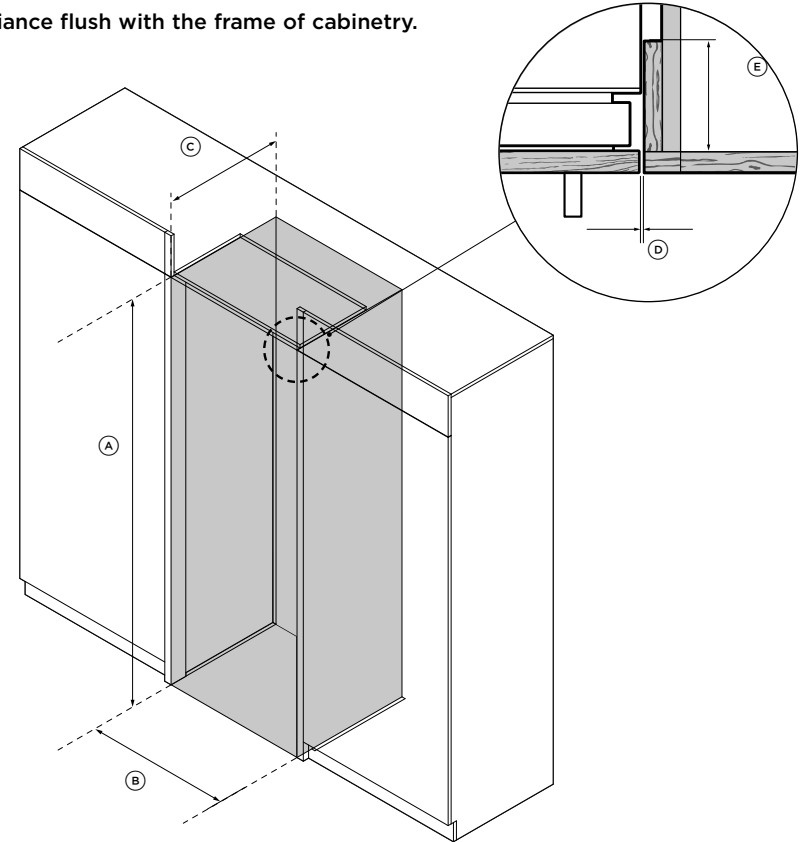
FRAMELESS CABINETRY

Aligns appliance flush with the cabinetry.



FRAMED CABINETRY

Aligns appliance flush with the frame of cabinetry.



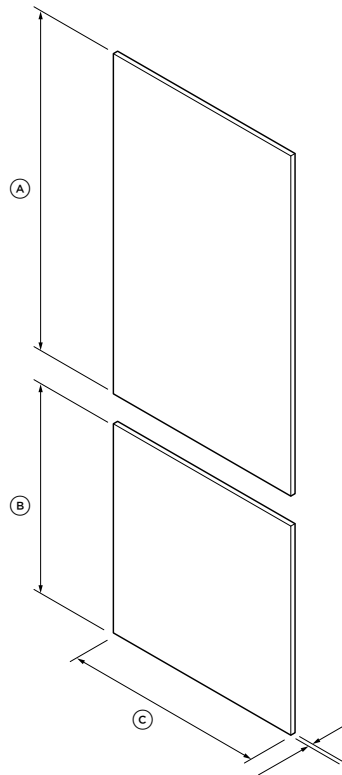
CAVITY DIMENSIONS

	MM
Ⓐ Overall height	2134
Ⓑ Overall width	762
Ⓒ Minimum overall depth*	635
Ⓓ Minimum cabinetry gap clearance from edge of door panels	3
Ⓔ Minimum required finished return	102

* Assumes a door panel thickness of 3/4" (19mm).

DOOR PANEL DIMENSIONS – 760MM MODEL

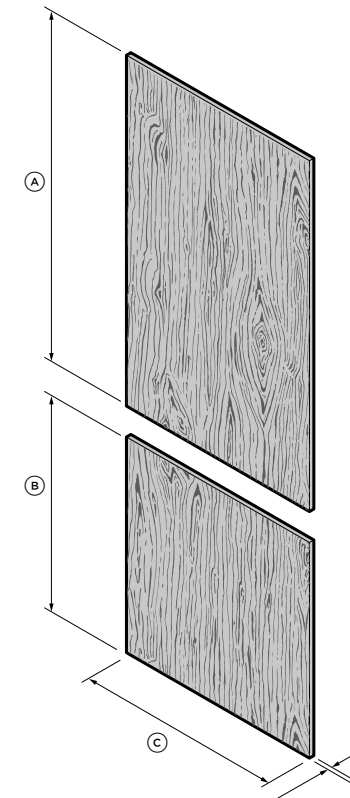
STAINLESS STEEL PANEL



DIMENSIONS	MM
Ⓐ Height of top door panel	1254
Ⓑ Height of drawer door panel	772
Ⓒ Width of door panel	756
Ⓓ Depth of door panel*	19
DOOR PANEL WEIGHT	KG
Weight of top door panel	10
Weight of bottom drawer door panel	7

* Excluding door handle.

CUSTOM PANEL



DIMENSIONS	MM
Ⓐ Height of top door panel	1254
Ⓑ Height of drawer door panel	772
Ⓒ Width of door panel	756
Ⓓ Depth of door panel*	min 16 - max 25
DOOR PANEL WEIGHT	KG
Weight of top door panel**	max 18 1/2
Weight of bottom drawer door panel**	max 11 1/2

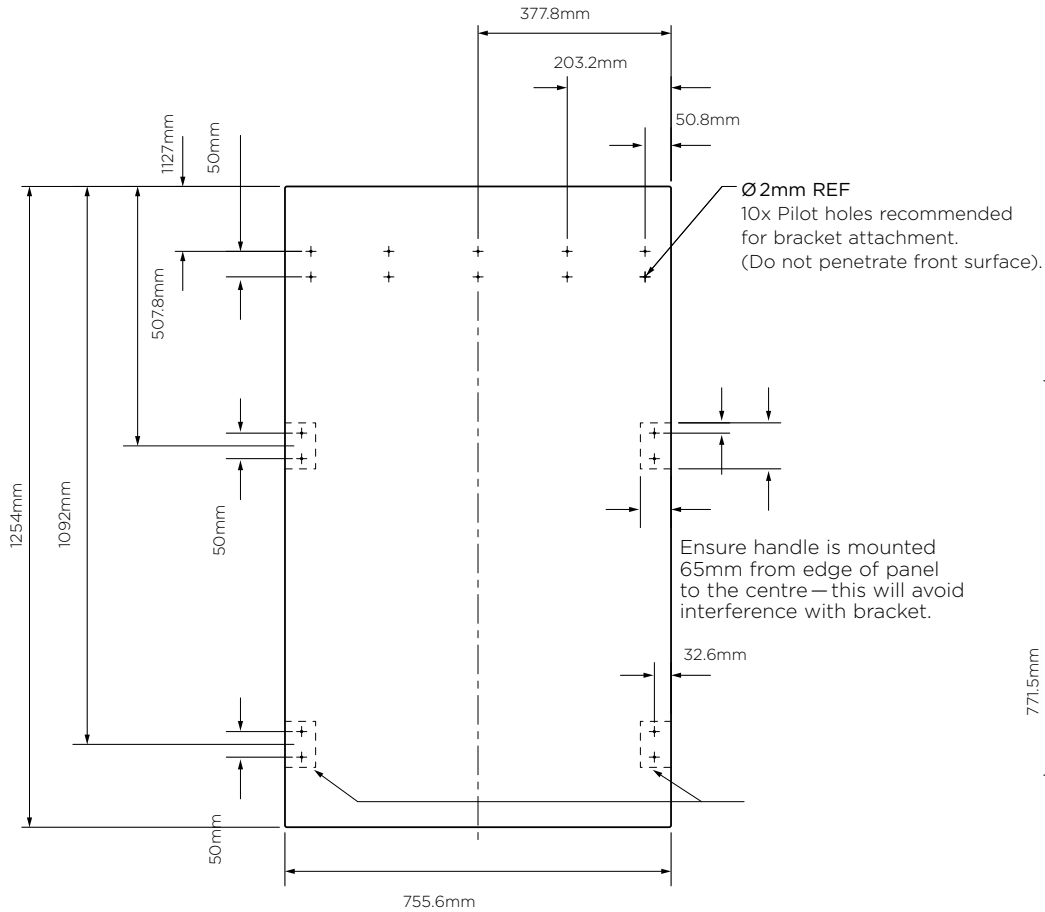
* Excluding door handle.

** Maximum panel weight must not be exceeded.

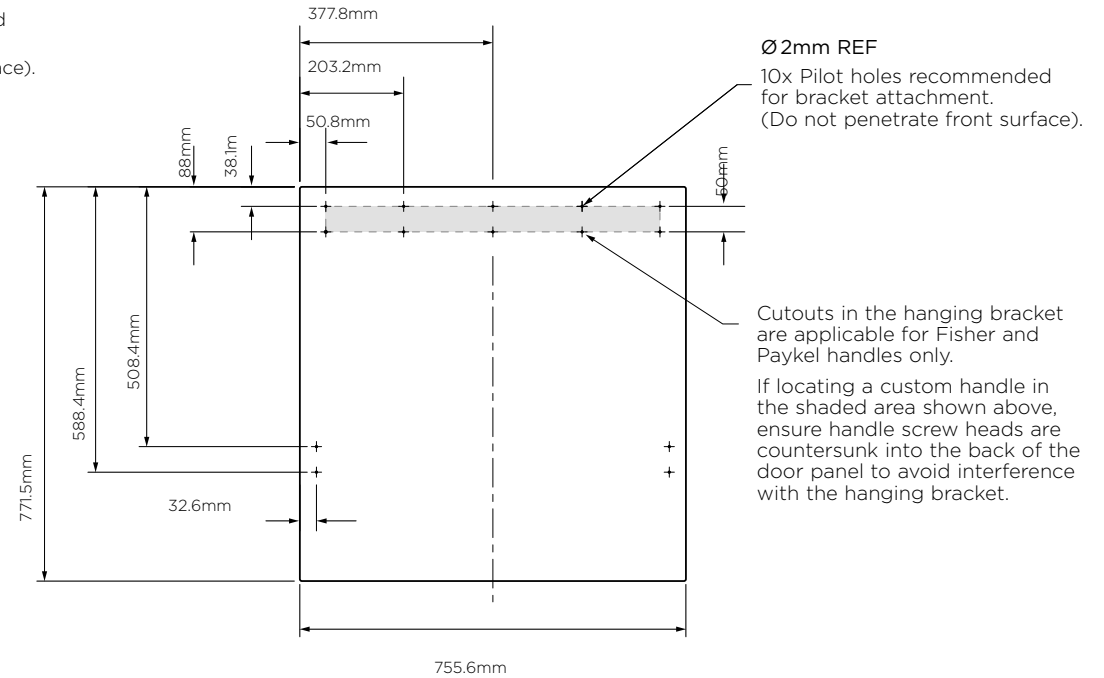
CUSTOM DOOR PANEL INSTALL DIMENSIONS – 760MM MODEL

Dimensions apply for the preparation and installation of Custom door panels. For Dwg and Dxf files of the below panel preparation download the folder on thekitchentools.fisherpaykel.com.

- The thickness of the custom door panel can vary provided that the screws do not penetrate beyond the full depth of the door panel.
- Measurements of screw hole locations can vary depending on the height of toe kick 50–152mm.



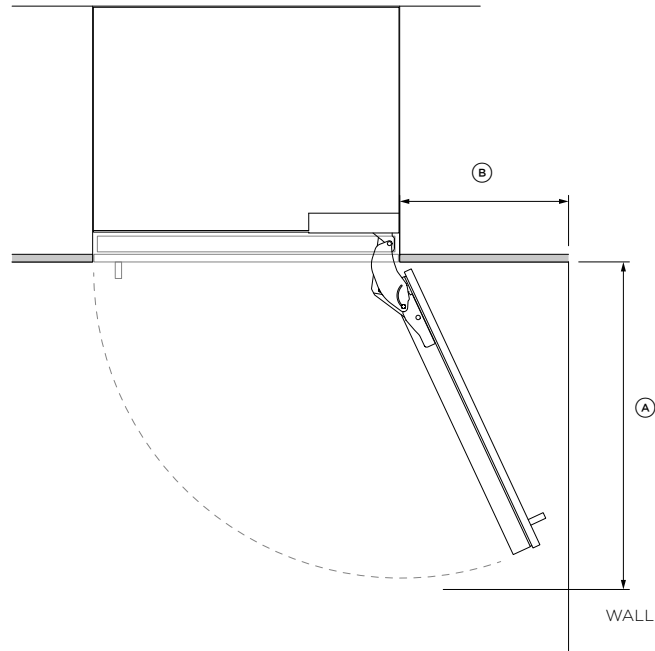
TOP PANEL—REAR VIEW



BOTTOM PANEL—REAR VIEW

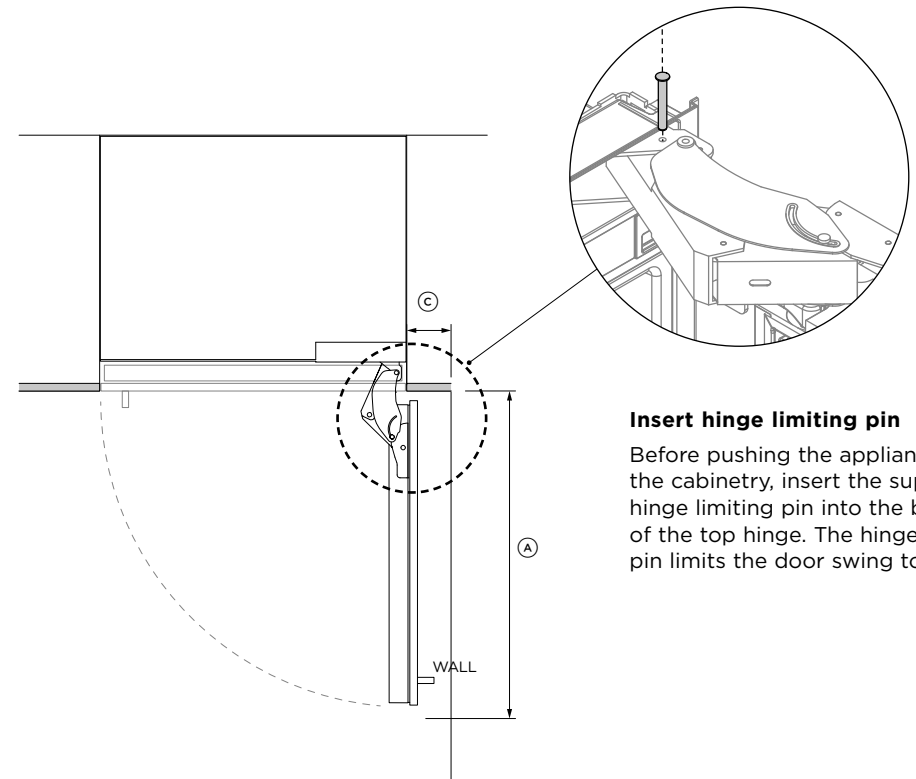
DOOR CLEARANCE – 760MM MODEL

115° DOOR OPENING



FULL INTERNAL ACCESS

90° DOOR OPENING



Insert hinge limiting pin

Before pushing the appliance into the cabinetry, insert the supplied hinge limiting pin into the borehole of the top hinge. The hinge limiting pin limits the door swing to 90°.

LIMITED INTERNAL ACCESS

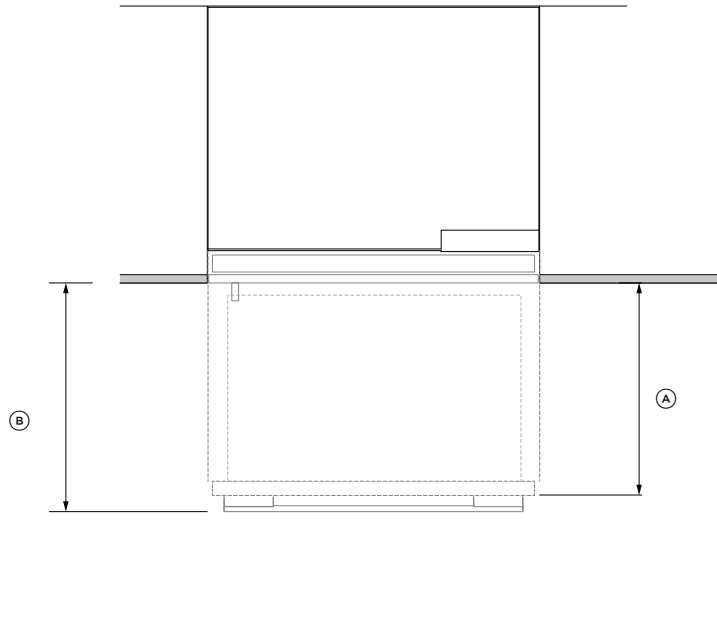
DIMENSIONS

- Ⓐ Width of door (90° open) measured from front of door
- Ⓑ Minimum door clearance to adjacent wall (115° – full internal access)
- Ⓒ Minimum door clearance to adjacent wall (90° – reduced internal access)

MM

- 813
- 419
- 110

DRAWER CLEARANCE – 760MM MODEL



DIMENSIONS

	MM
Ⓐ Maximum drawer extension when open*	400
Ⓑ Maximum drawer extension when open**	461

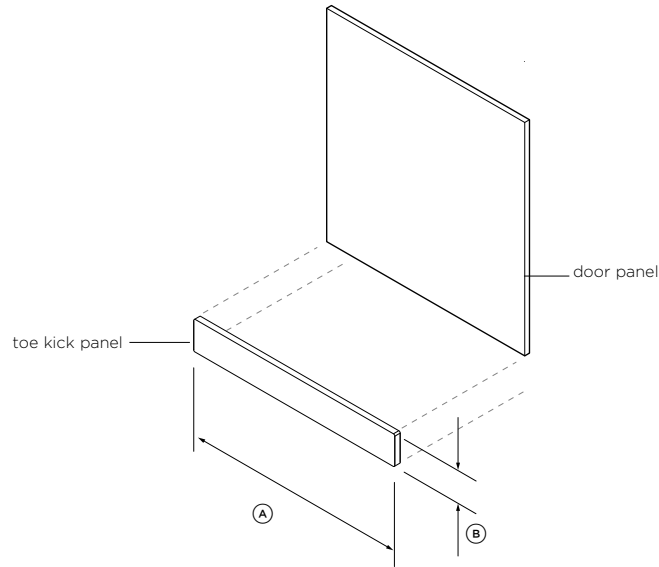
* Excluding handle

** Including handle

TOE KICK DIMENSIONS – 760MM MODEL

STAINLESS STEEL TOE KICK PANEL

Can be purchased separately through an authorised Fisher and Paykel dealer. Visit fisherpaykel.com for more information.

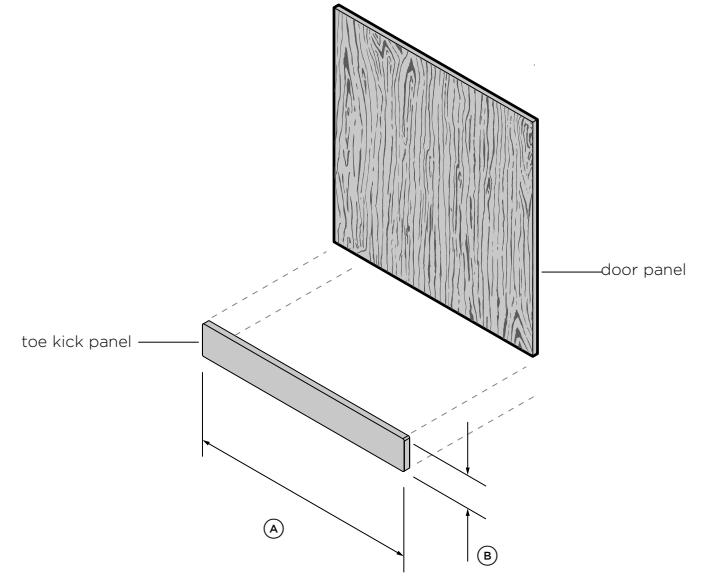


TOE KICK PANEL (CA 25392)

DIMENSIONS	MM
Ⓐ Width of toe kick	759
Ⓑ Height of toe kick	102

CUSTOM PANEL TOE KICK PANEL

For Custom door panel installation, a custom toe kick 2" – 6" (50 – 152mm) can be manufactured and fitted by cabinetmaker. The Custom door panel height needs to be adjusted accordingly. Extra lower grilles are required for a 2" (50mm) toe kick installation.



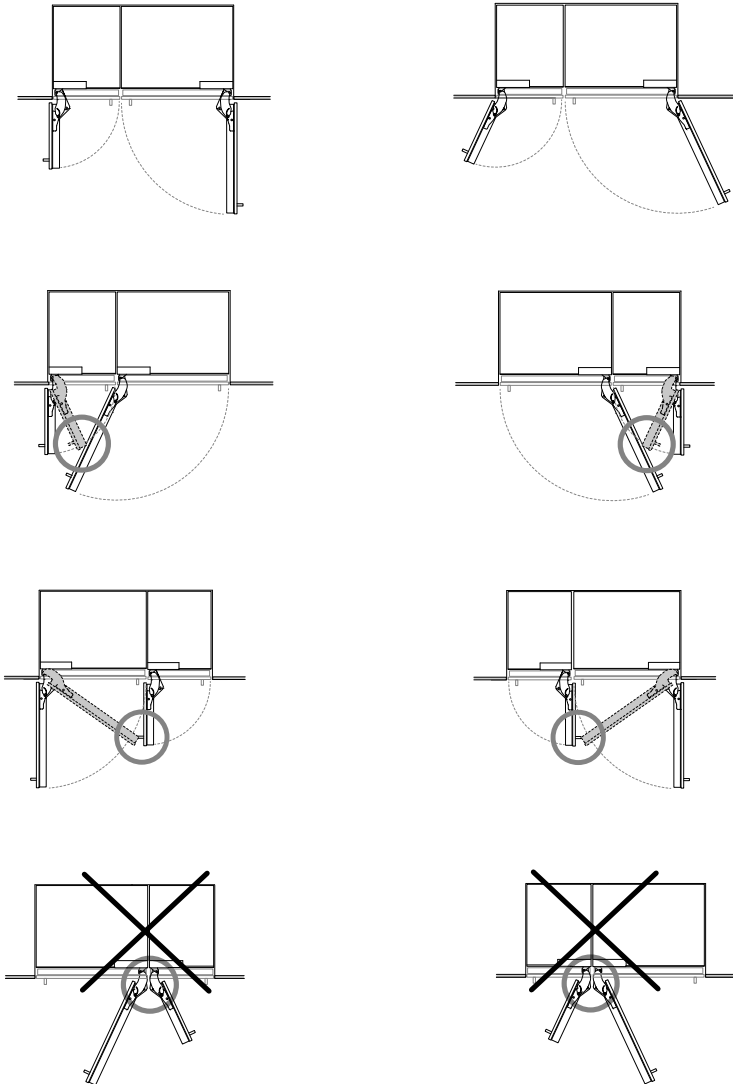
DIMENSIONS	MM
Ⓐ Width of toe kick	759
Ⓑ Height of toe kick	51 - 152

DUAL INSTALL OPTIONS

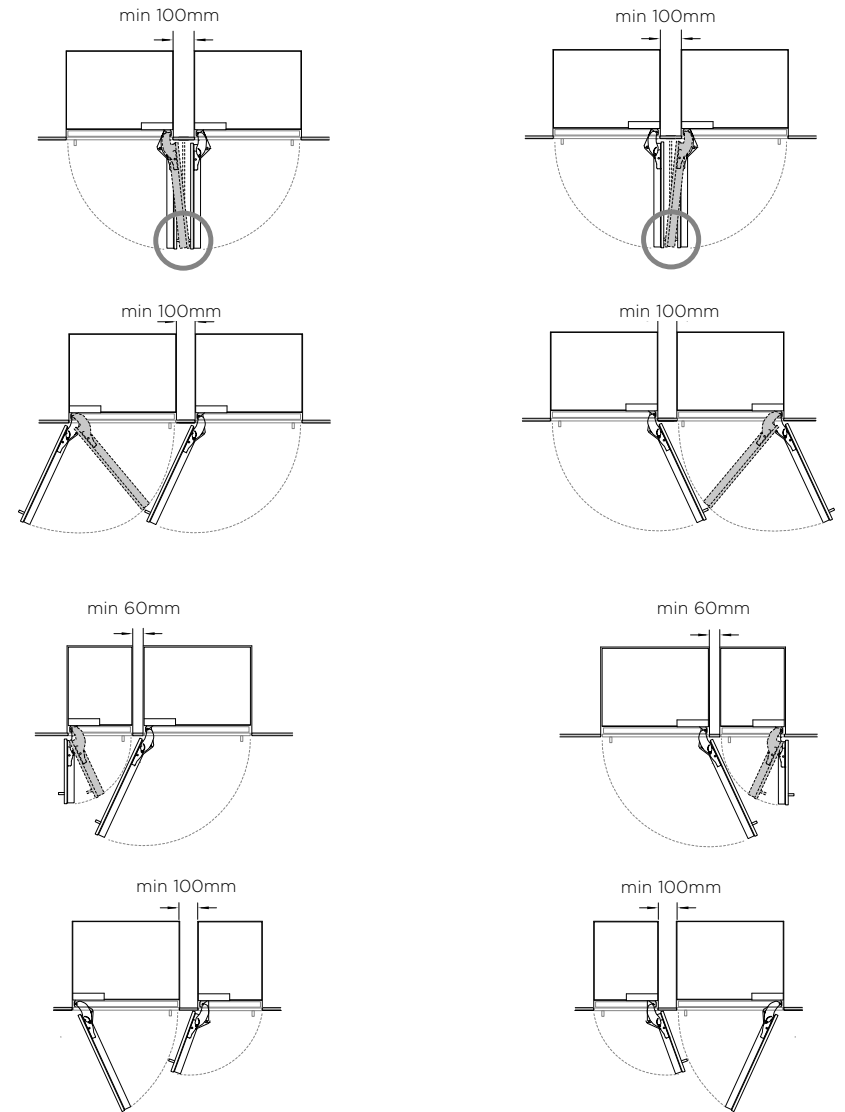
The following are options for dual/multiple installation with reference to the door opening range and partition (optional) between two appliance combinations.

- Beware of clashing (circled) when opening the doors. Use a hinge limiting pin to restrict door opening rotation to 90°. Refer to 'Door Clearance' for more information.
- If installing a partition between two appliances, it must have enough clearance to ensure the doors/handles do not interfere with one another when opening or closing.

NO PARTITION



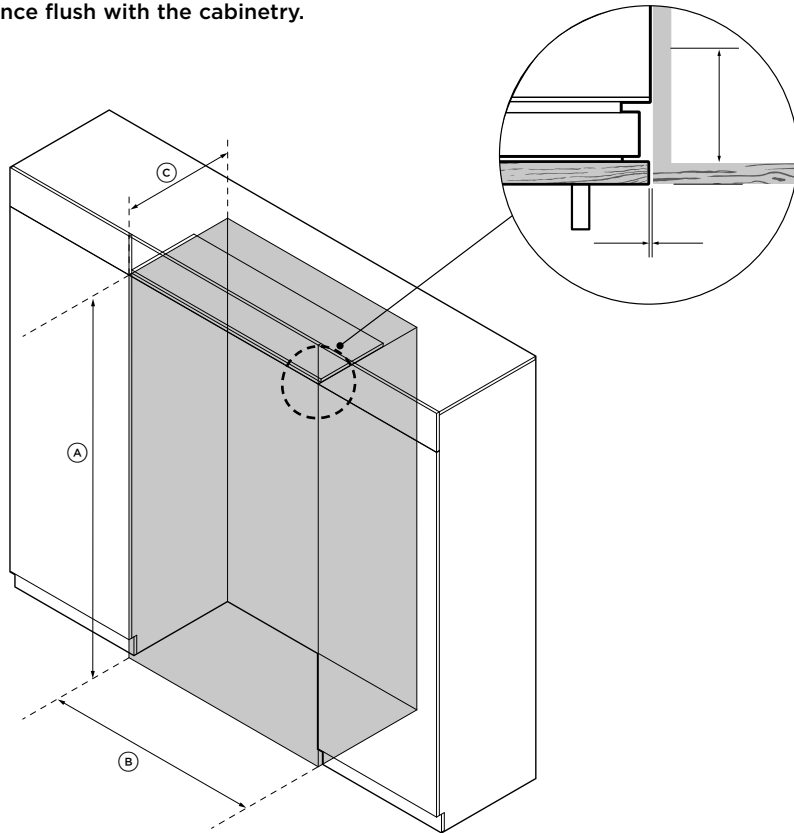
WITH PARTITION



CAVITY DIMENSIONS — 610MM + 610MM DUAL INSTALL

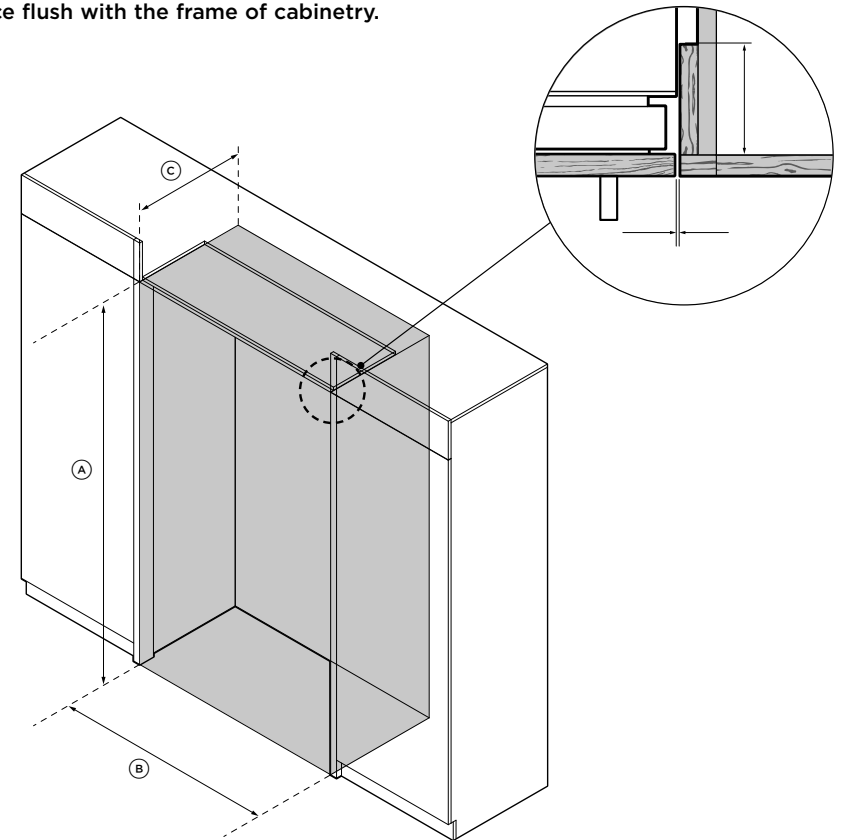
..... FRAMELESS CABINETRY

Aligns appliance flush with the cabinetry.



..... FRAMED CABINETRY

Aligns appliance flush with the frame of cabinetry.



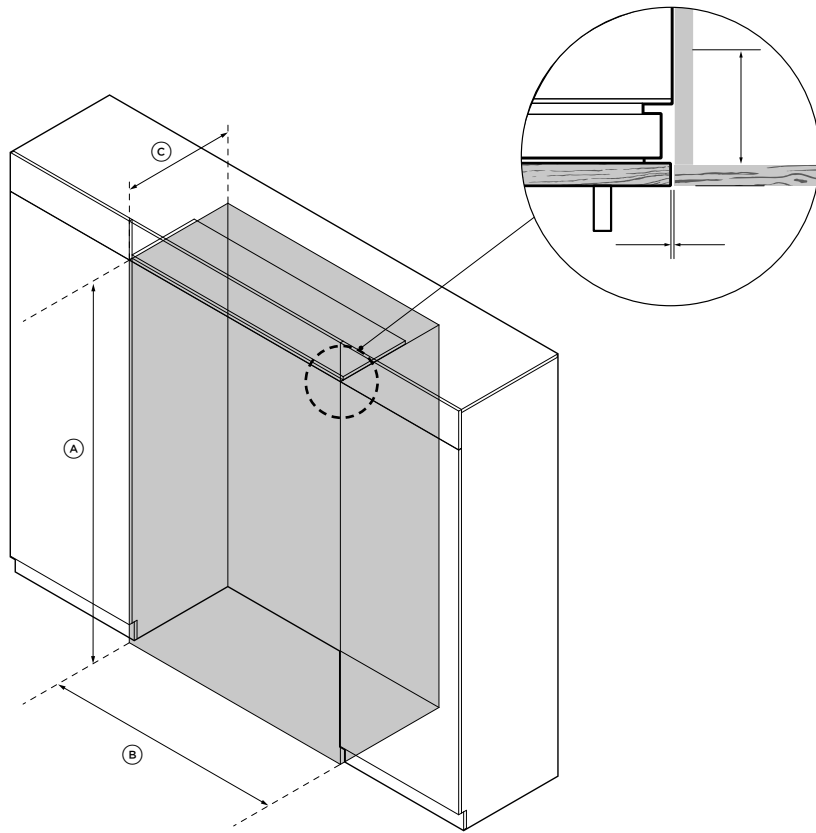
DIMENSIONS	MM
Ⓐ Overall height of cavity	2134
Ⓑ Overall width of cavity	1219
Ⓒ Minimum overall depth of cavity*	635
Ⓓ Minimum cabinetry gap clearance from edge of door panels	3
Ⓔ Minimum required finished return	102

* Assumes a door panel thickness of 3/4" (19mm).

CAVITY DIMENSIONS – 610MM + 760MM DUAL INSTALL

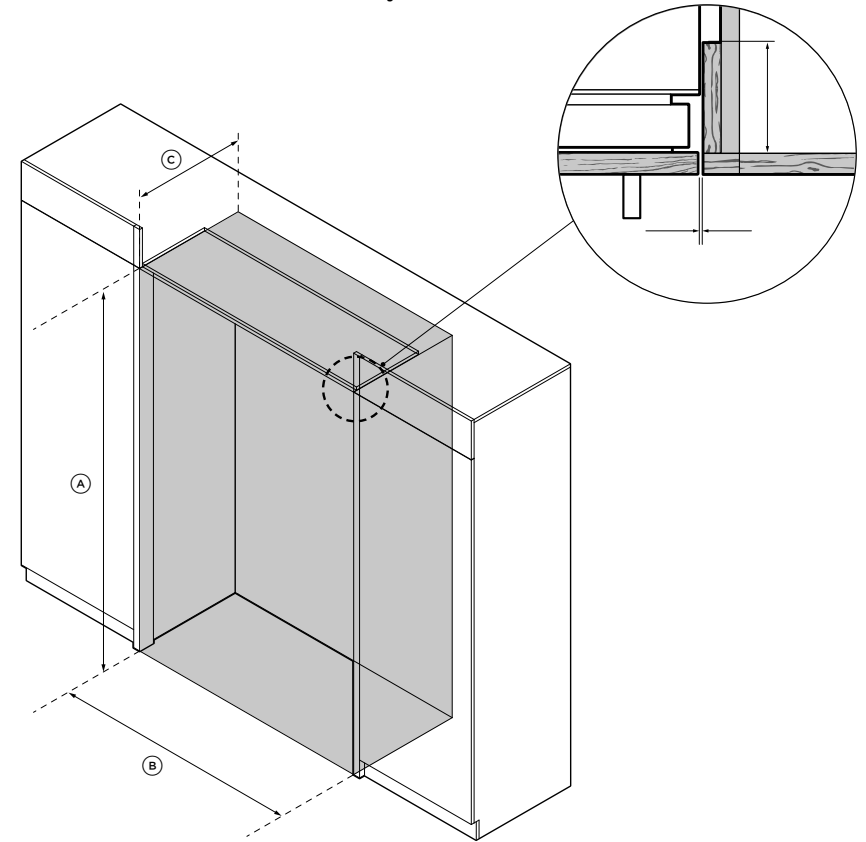
FRAMELESS CABINETRY

Aligns appliance flush with the cabinetry.



FRAMED CABINETRY

Aligns appliance flush with the frame of cabinetry.



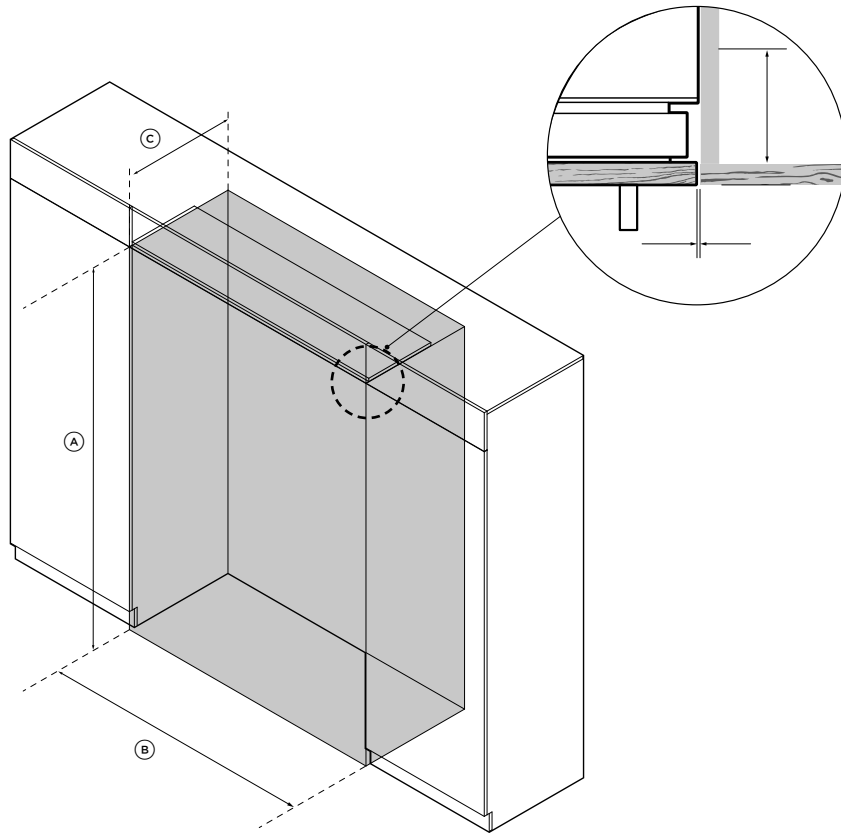
DIMENSIONS	MM
(A) Overall height of cavity	2134
(B) Overall width of cavity	1372
(C) Minimum overall depth of cavity*	635
(D) Minimum cabinetry gap clearance from edge of door panels	3
(E) Minimum required finished return	102

* Assumes a door panel thickness of 3/4" (19mm).

CAVITY DIMENSIONS — 760MM + 760MM DUAL INSTALL

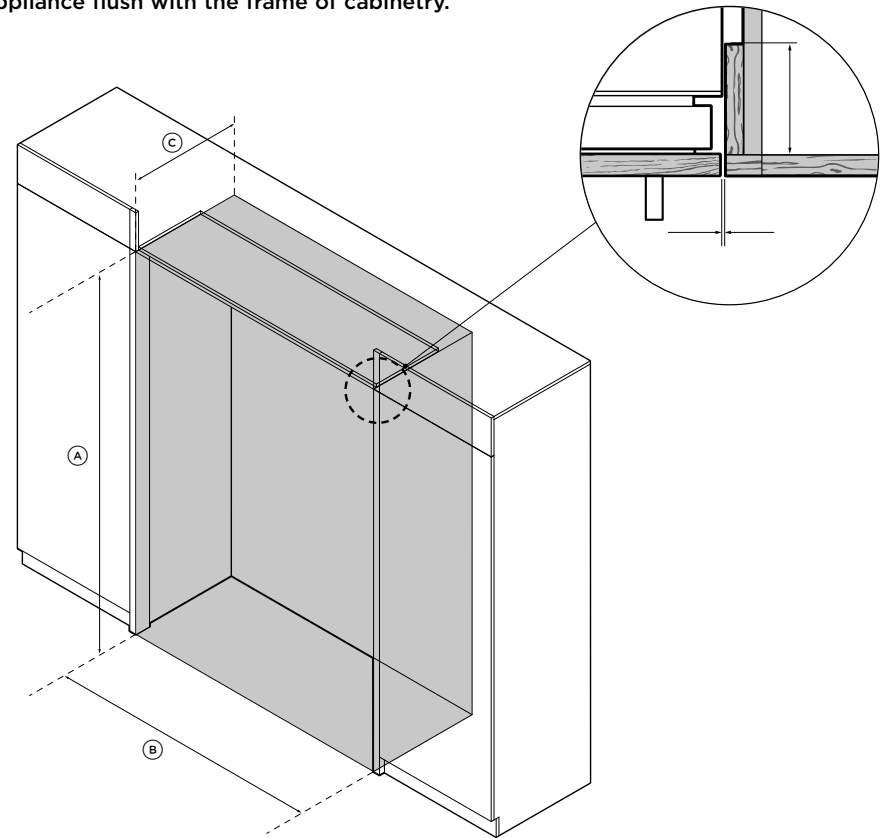
FRAMELESS CABINETRY

Aligns appliance flush with the cabinetry.



FRAMED CABINETRY

Aligns appliance flush with the frame of cabinetry.

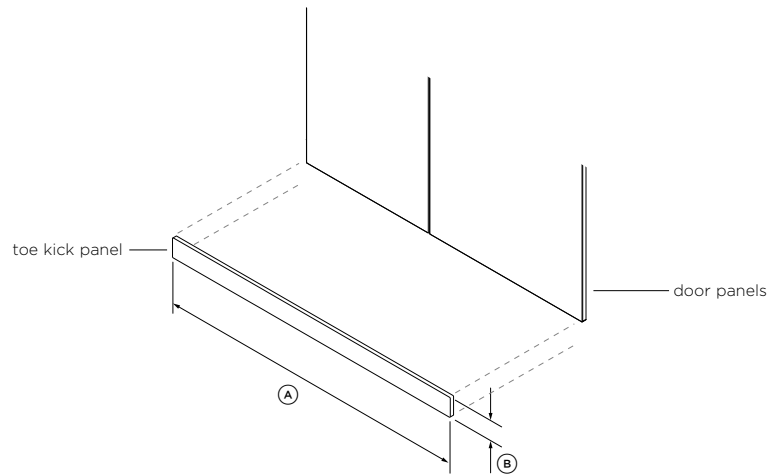


DIMENSIONS	MM
Ⓐ Overall height of cavity	2134
Ⓑ Overall width of cavity	1524
Ⓒ Minimum overall depth of cavity*	635
Ⓓ Minimum cabinetry gap clearance from edge of door panels	3
Ⓔ Minimum required finished return	102

* Assumes a door panel thickness of 3/4" (19mm).

TOE KICK PANEL DIMENSIONS – DUAL INSTALL

STAINLESS STEEL PANEL

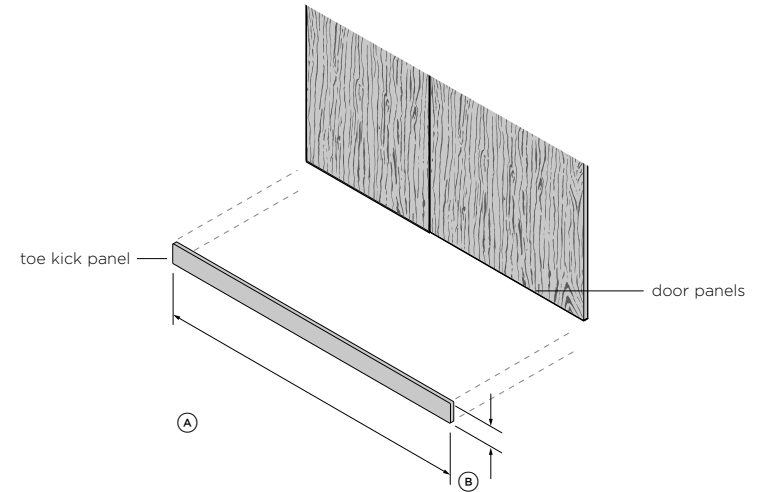


TOE KICK PANEL (CA 25396)	RS61 + RS61 MODELS
DIMENSIONS	MM
Ⓐ Width of toe kick	1216
Ⓑ Height of toe kick	102

TOE KICK PANEL (CA 25396)	RS61 + RS76 MODELS
DIMENSIONS	MM
Ⓐ Width of toe kick	1368
Ⓑ Height of toe kick	102

TOE KICK PANEL (CA 25396)	RS76 + RS76 MODELS
DIMENSIONS	MM
Ⓐ Width of toe kick	1521
Ⓑ Height of toe kick	102

CUSTOM PANEL



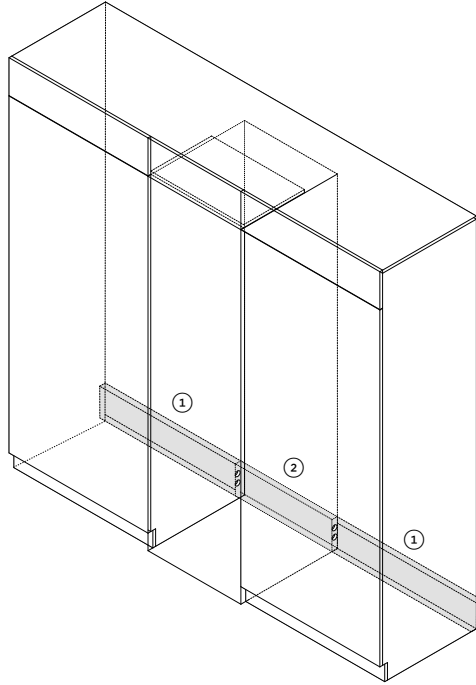
TOE KICK PANEL	RS61 + RS61 MODELS
DIMENSIONS	MM
Ⓐ Width of toe kick	1216
Ⓑ Height of toe kick	min 51 - max 152

TOE KICK PANEL	RS61 + RS76 MODELS
DIMENSIONS	MM
Ⓐ Width of toe kick	1368
Ⓑ Height of toe kick	min 51 - max 152

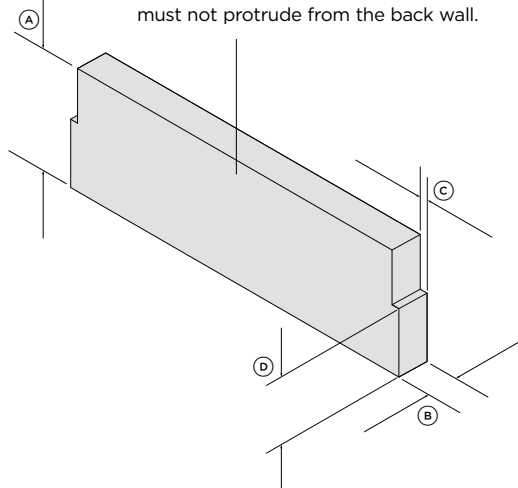
TOE KICK PANEL	RS76 + RS76 MODELS
DIMENSIONS	MM
Ⓐ Width of toe kick	1521
Ⓑ Height of toe kick	min 51 - max 152

POWER SUPPLY DIMENSIONS

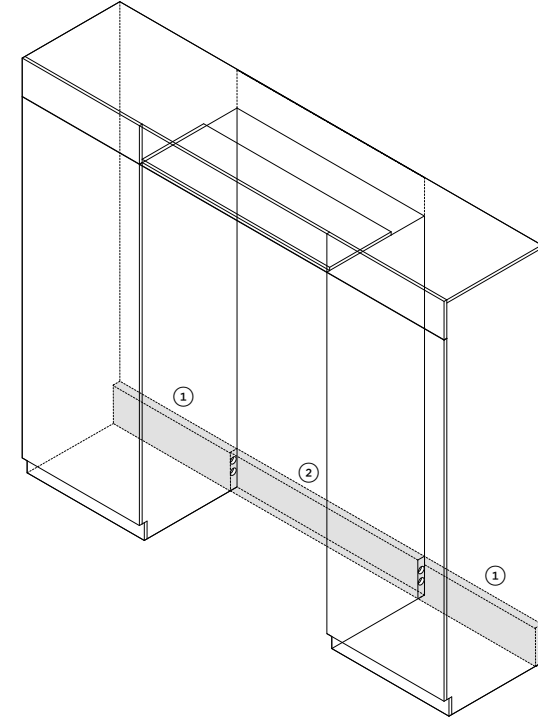
SINGLE INSTALLATION



Electrical connection must be within this space if located behind the appliance and must not protrude from the back wall.



DUAL INSTALLATION



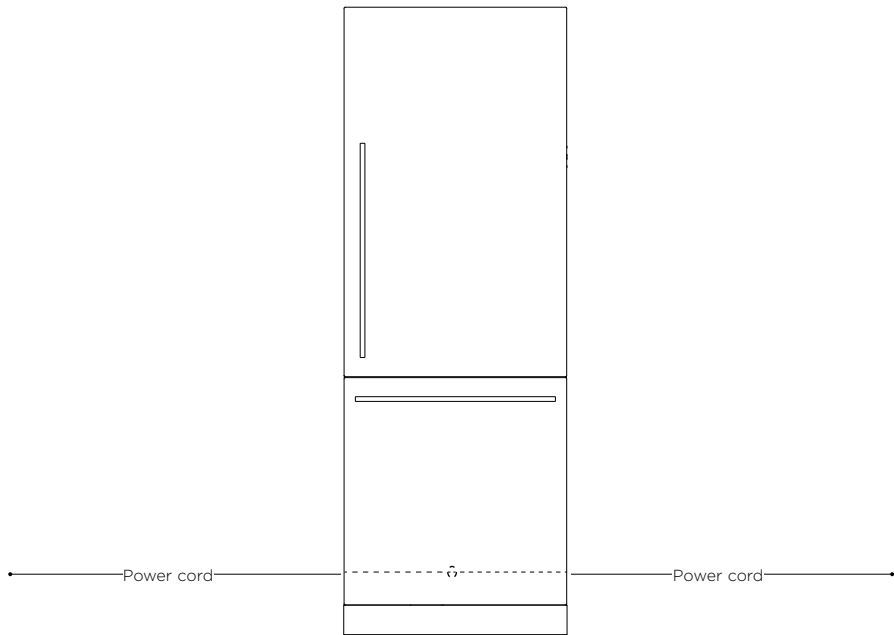
ELECTRICAL AND PLUMBING CONNECTIONS

- ① Recommended location for connections in adjacent area or unit
- ② Alternative location for connections at rear of cavity

ELECTRICAL DIMENSIONS

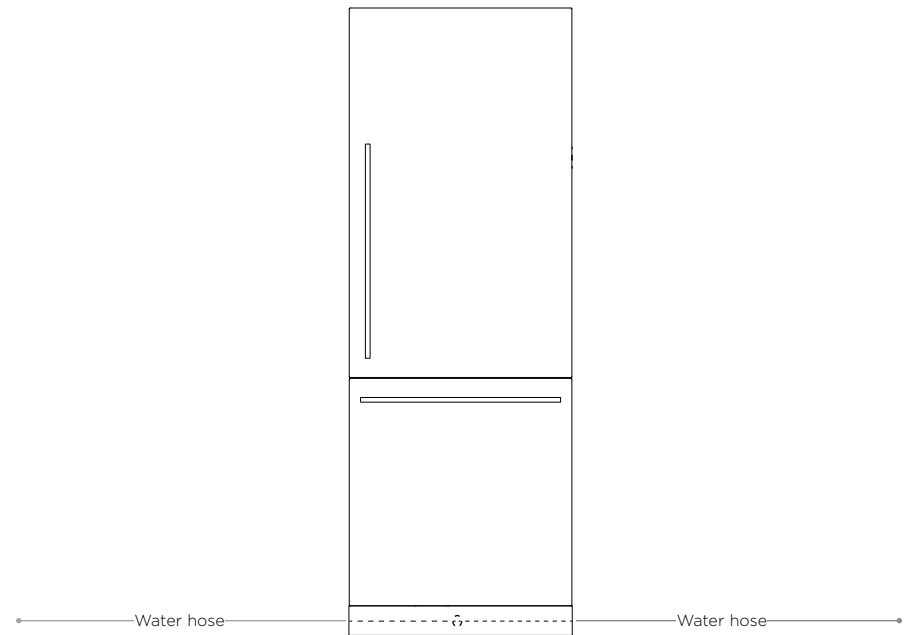
	MM
Ⓐ Overall height of supply area	229
Ⓑ Overall depth of supply area	25
Ⓒ Width of notch in supply area (both sides)	13
Ⓓ Height of sides of supply area (both sides)	127

ELECTRICAL SPECIFICATION

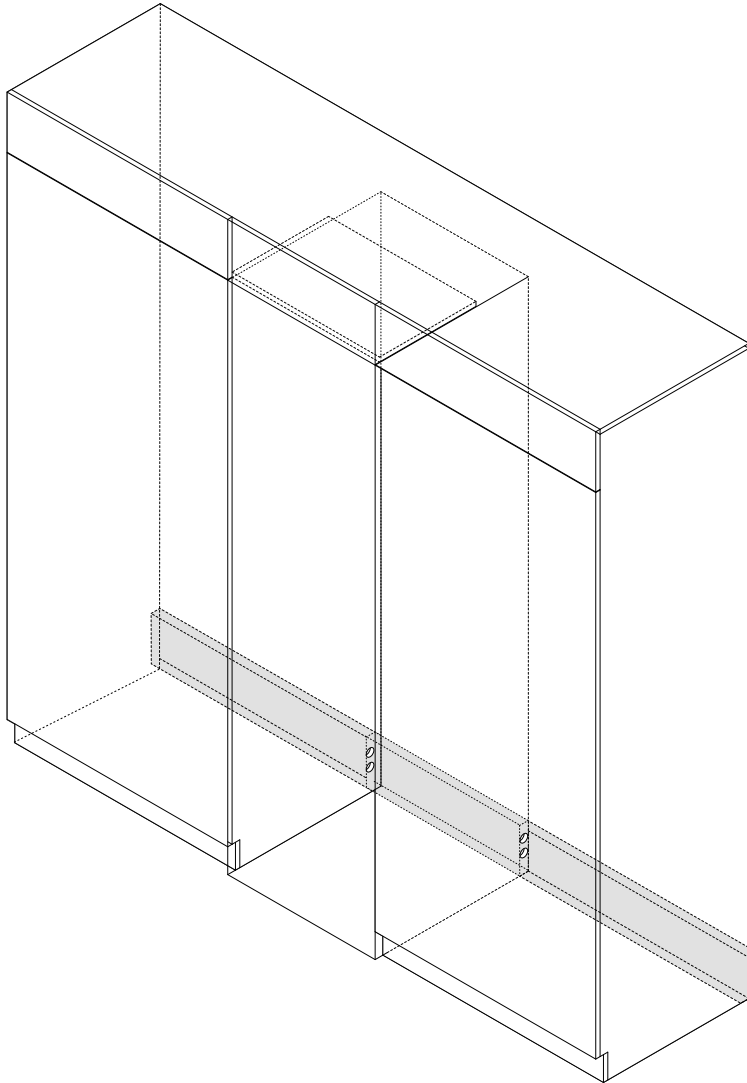


Supply	230 VAC, 50 Hz
Service	10 amp circuit
Socket	3-prong grounding-type
Total length of power cord exiting product	1625mm

PLUMBING SPECIFICATION



Supply	1/2" (12.7mm) BSP Stainless steel braided hose with adaptor
Pressure psi (kPa)	min 150kPa (22psi) / max 827kPa (120psi) @ 68°F (20°C)
Total length of water house exiting product	2340mm



Check the cabinetry

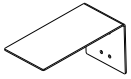
- Check the dimensions of the cabinetry: height, width, depth, floor level, finished alcove returns. Refer to 'Cavity Dimensions' for the correct measurements.

Check the power supply and water connections

- Ensure that there is a separate power socket for each appliance.
- Avoid sharing the power point with other appliances to prevent accidental switching off of the appliance.
- For power requirements, refer to the information on the serial plate.
- Ensure your appliance is properly grounded.
- Connect your appliance to an electrical supply with the fitted plug and lead.
- If power connection is located behind the appliance, we recommend to install an isolating switch to a location that is easily accessible to the user for repair or disconnection.
- Follow local codes and ordinances when installing the appliance.

INSTALL ANTI-TIP BRACKET

Anti-tip bracket assembly kit



Anti-tip bracket (1)

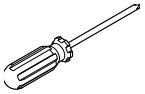


Masonry plug (4)

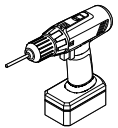


#10x40 cross-head screw (4)

Tools



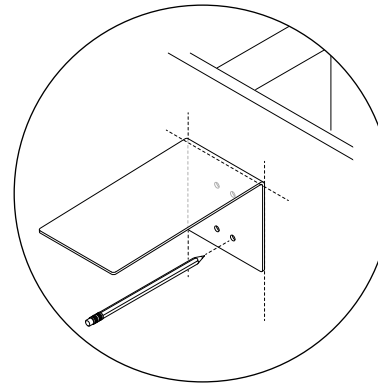
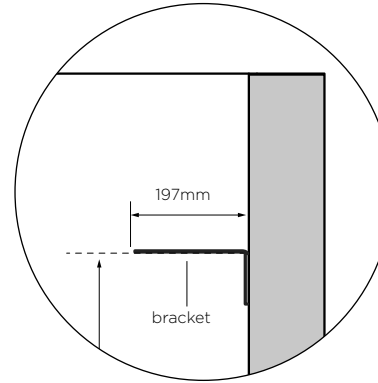
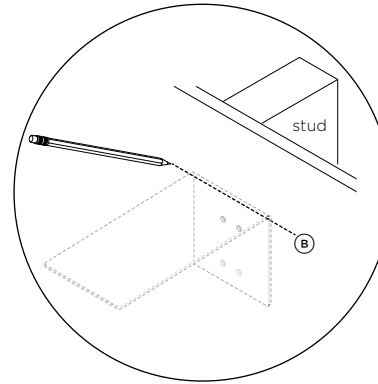
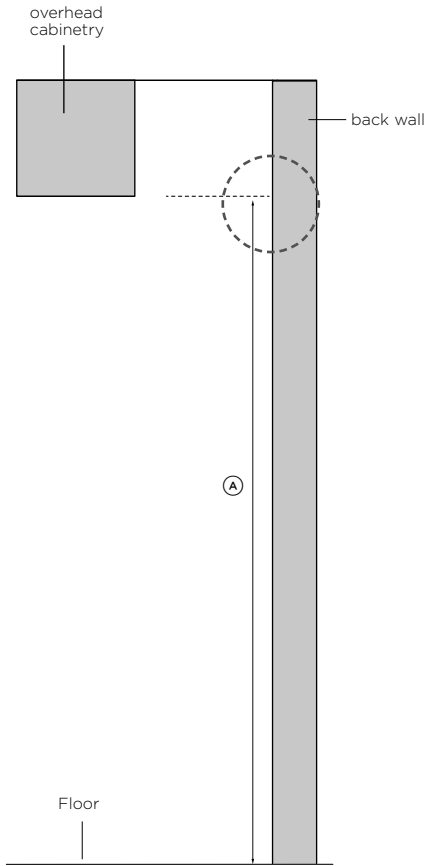
Cross-head screwdriver



Powered drill



Pencil



Locating the attachment position of anti-tip bracket

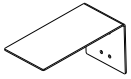
- ① Measure the height (A) of the attachment location from the floor to the alcove return and mark a horizontal line (B) at the back wall.
 - The height (A) must not exceed 2138mm to ensure the appliance does not tip over during installation.
 - Ensure there is a stud behind the wall.

- ② Place the bracket to the backwall. Align the undersurface of the bracket along the marked line.

- ③ Mark screw hole locations, and drill screw holes with powered drill.
 - For solid wall installation, drill holes suitable to the size of the masonry plugs.

INSTALL ANTI-TIP BRACKET

Anti-tip bracket assembly kit



Anti-tip bracket (1)

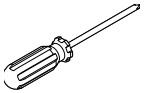


Masonry plug (4)



#10x40 cross-head screw (4)

Tools



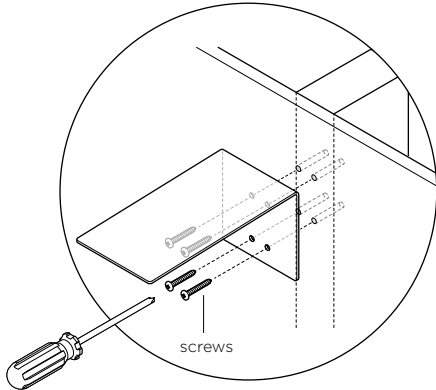
Cross-head screwdriver



Powered drill

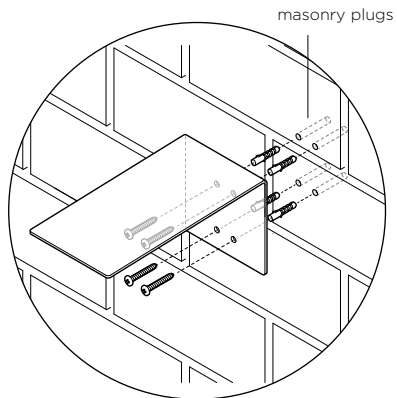


Pencil



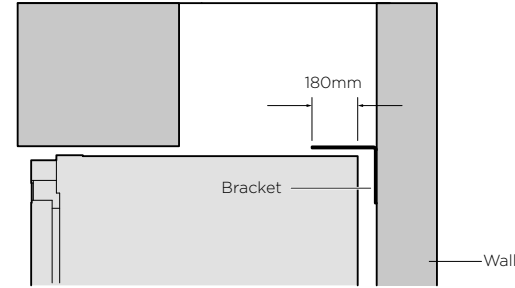
For plaster board wall

Fix the anti-tip bracket to the wall with #10x40mm cross head screws, and screw tightly with a screwdriver.



For solid wall installation

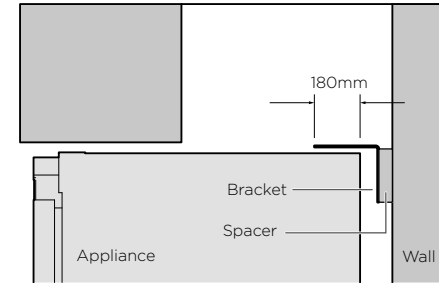
Hammer 10x30mm masonry plugs into wall until flush. Fix bracket to wall with #10x40mm cross head screws, and screw tightly.



PROFILE VIEW

Roll the appliance slowly into the cabinetry until the anti-tip bracket overlaps the back edge of the appliance.

- Ensure the bracket overlaps the appliance by a minimum 180mm for a secure hold.



PROFILE VIEW

If minimum 180mm overlap cannot be achieved, install a solid spacer to the wall stud behind the bracket.

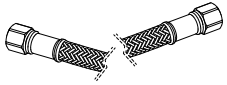
- Be careful not to run over the power cord when rolling in the appliance.

CONNECT WATER AND POWER SUPPLY

Water fittings kit



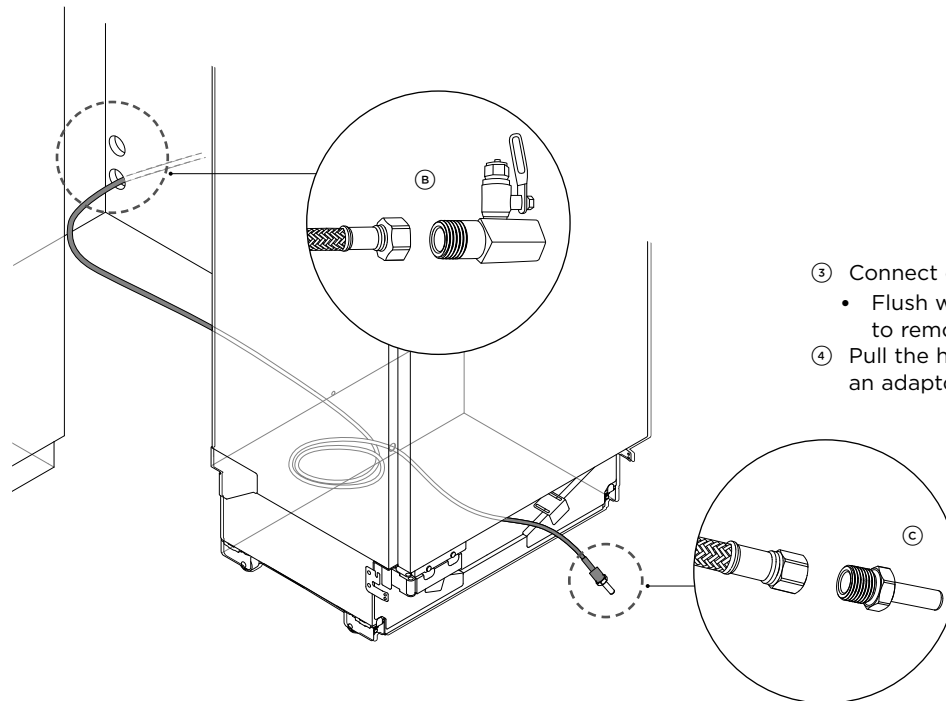
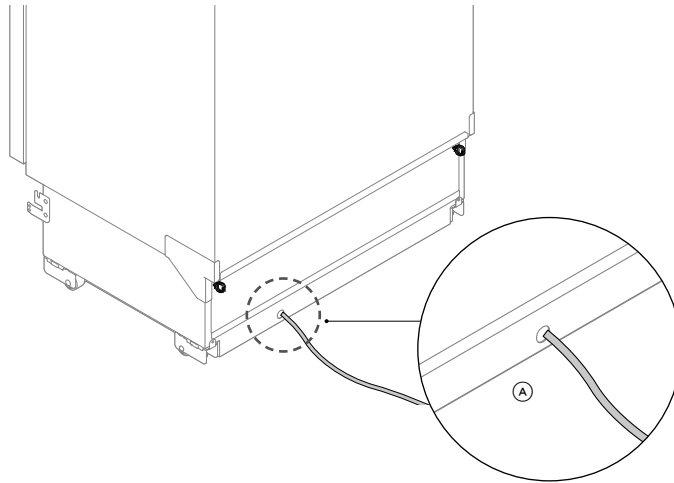
Collet locking clip (1)



1/2 BSP Stainless steel braided hose with adaptor (1)



6.35mm Adaptor (2)



Connecting to water supply

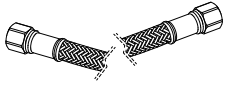
- ① Roll the appliance to the front of the cabinetry close enough to allow access at the back for power and water connection.
- ② Insert the adaptor end of the braided hose through a hole at the rear of the plinth (**A**) and push all the way to the front of the appliance.
- ③ Connect one end of the braided water hose to the water tap (**B**).
 - Flush water through the hose prior to connection to the appliance to remove any debris in the hose.
- ④ Pull the hose from the front of the appliance and connect an adaptor (**C**).

CONNECT WATER AND POWER SUPPLY

Water fittings kit



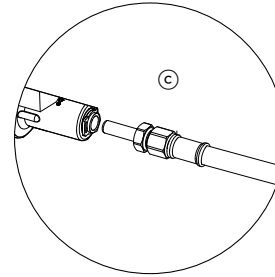
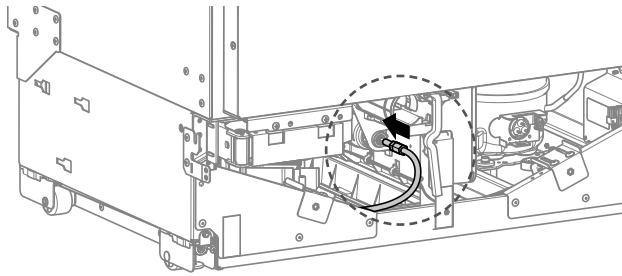
Collet locking clip
(1)



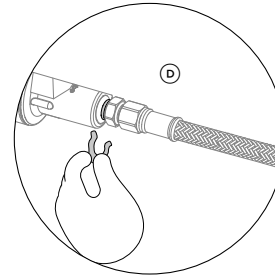
1/2 BSP Stainless steel
braided hose with
adaptor (1)



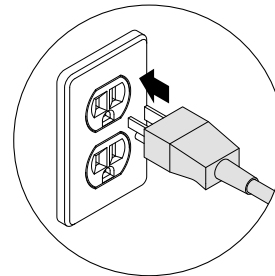
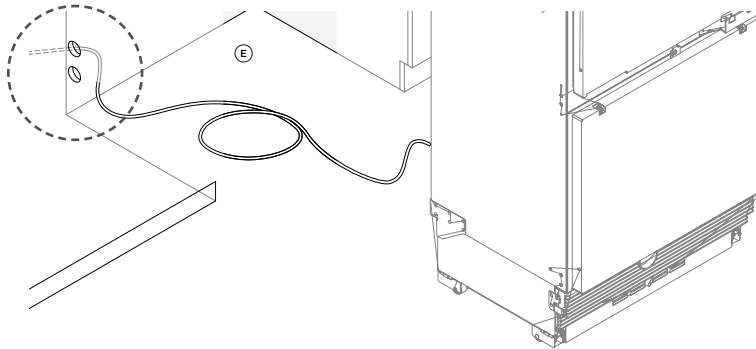
1/4" (6mm) Adaptor
(2x)



- ⑤ Insert the tube end of the adaptor fully into the PLV (C) at the bottom front of the appliance.



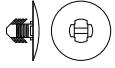
- ⑥ Secure the connection with a locking clip between the PLV and hose end of adaptor (D).
- Check the connection and open the water supply to test for leaks.



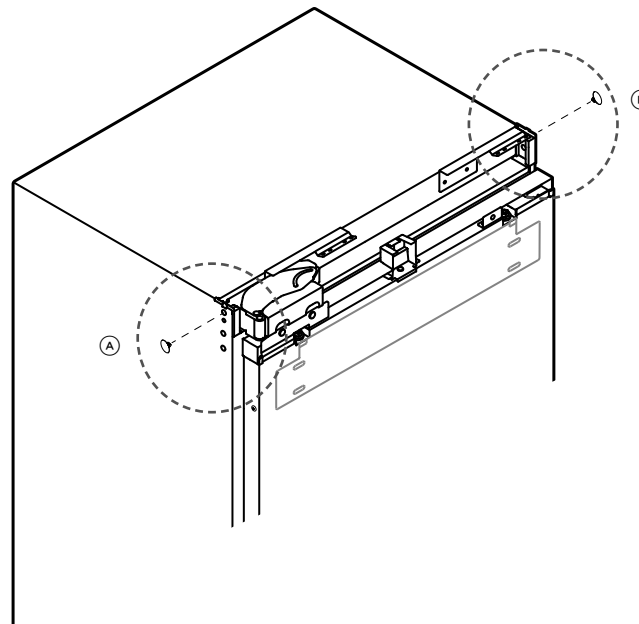
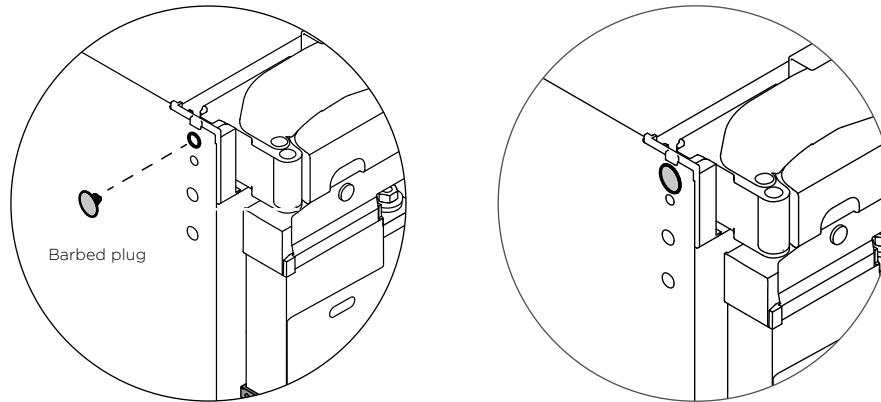
Connecting to power supply

- ① At the back of your appliance, connect the power cable to the power supply (115VAC, 60Hz) (E).
- You will hear a chime sound when the appliance is powered on.
 - Refer to your 'User guide' for more details on activating the appliance.

Install fasteners kit



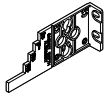
Barbed plugs (2)



Attaching the barbed plugs

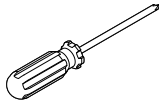
- ① Before rolling into the cavity, insert a barbed plug into a large hole at the top left side (**A**) of the appliance.
The plugs protect the inside surface of cabinetry from being damaged by screws when pushing in the appliance.
Repeat steps 1 — 2 to the right side (**B**) of the appliance.

Install fasteners kit

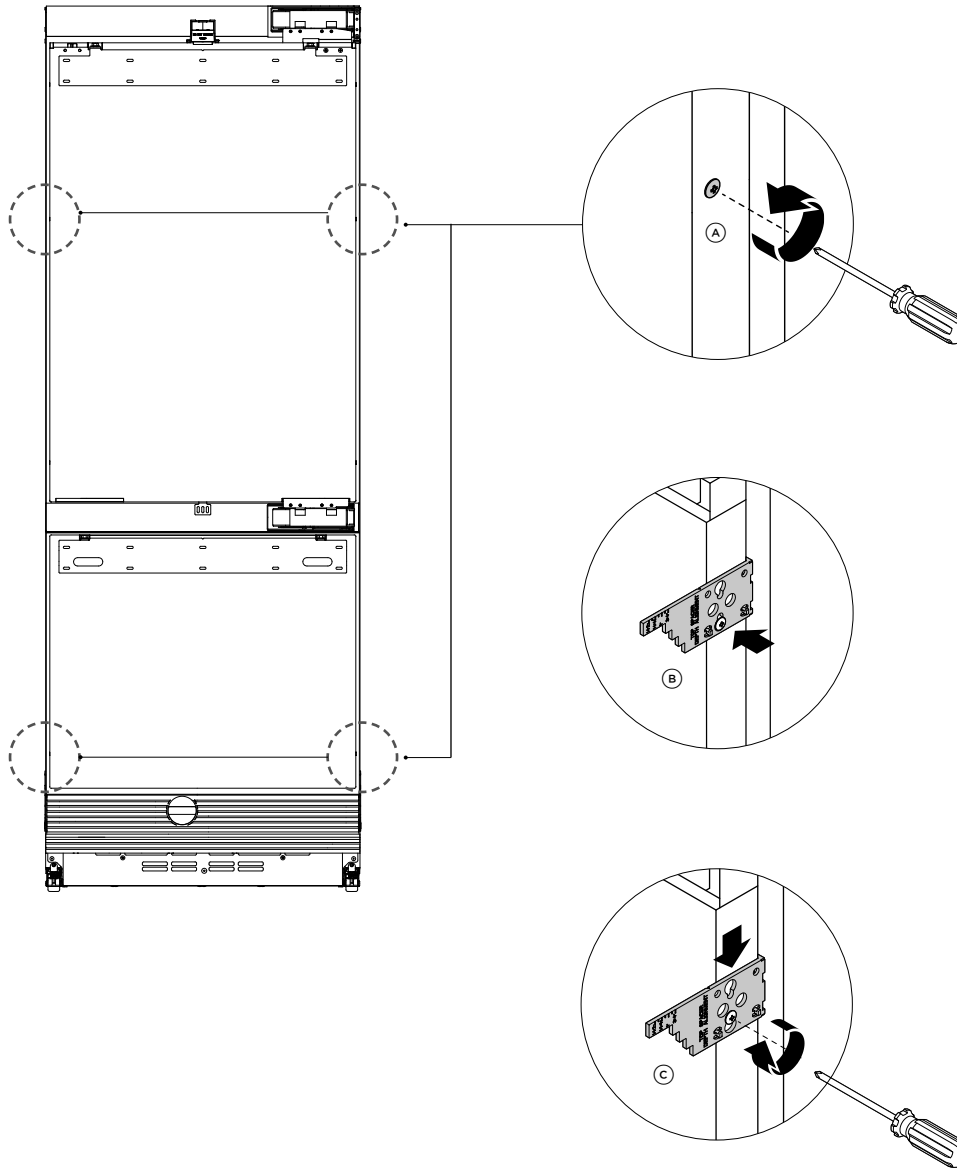


Cabinet depth alignment gauge (4)

Tools

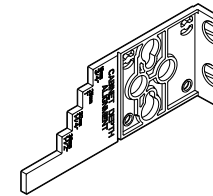


Cross-head screwdriver

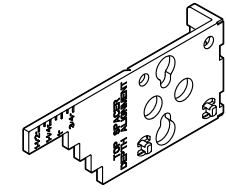


Attaching the depth alignment gauges

- ① Loosen the right and left screws at the top and bottom sides of the door. **(A)**
- ② Locate the alignment gauges at correct orientation to the right and left screws.



Left



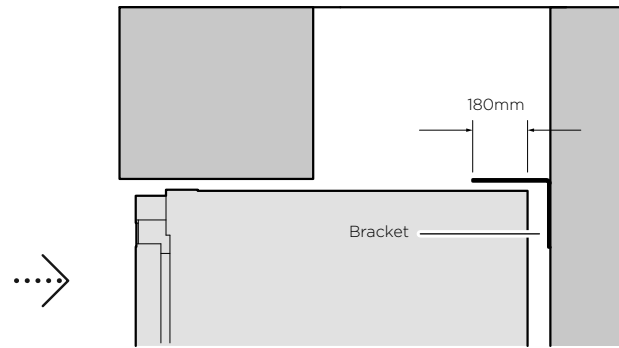
Right

- ③ Position the alignment gauge by inserting the screw head through the keyhole of the gauge. **(B)**

- ④ Push the alignment gauge down to lock the screw position in the keyhole. **(C)**
- ⑤ Tighten the screw just enough to firmly hold the gauge.

The alignment gauges are only temporary and must be removed after installation.

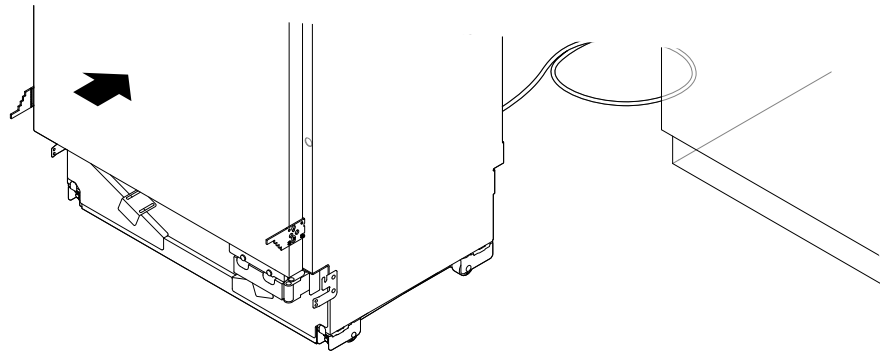
POSITION AND ALIGNMENT IN CABINETY



PROFILE VIEW

Positioning into the cabinetry

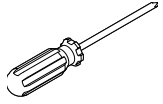
- ① Roll the appliance slowly into the cabinetry until the anti-tip bracket overlaps the back edge of the appliance. Ensure the bracket overlaps the appliance by a minimum 180mm for a secure hold.



Be careful not to run over the water hose and power cord when rolling in the appliance.

POSITION AND ALIGNMENT IN CABINETS

Tools



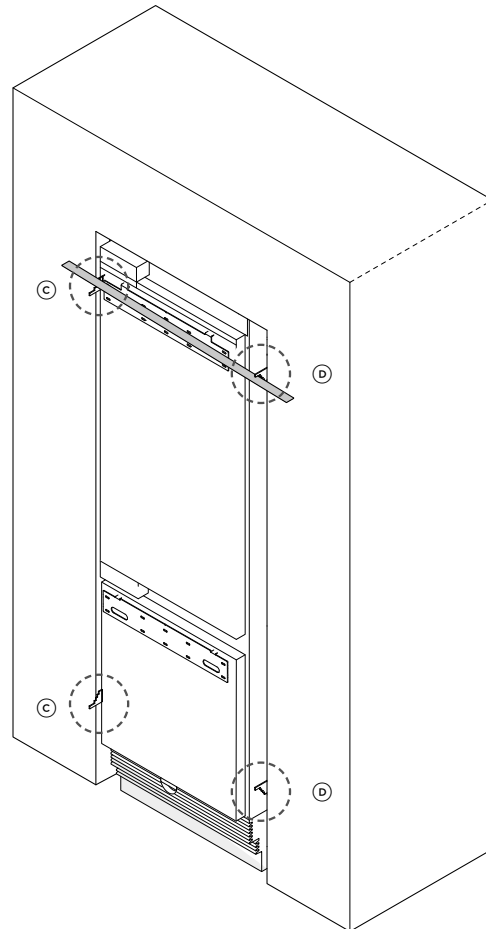
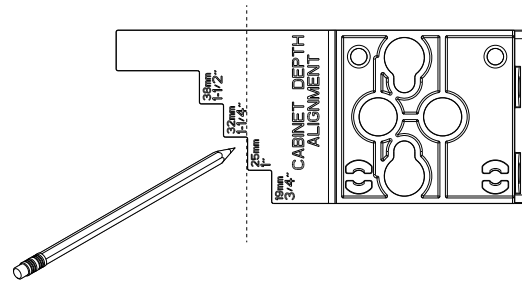
Cross-head screwdriver



Ruler

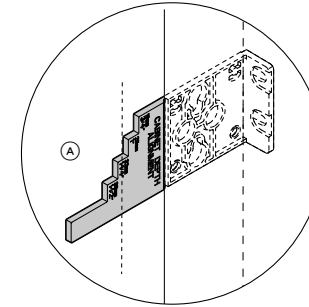


Pencil

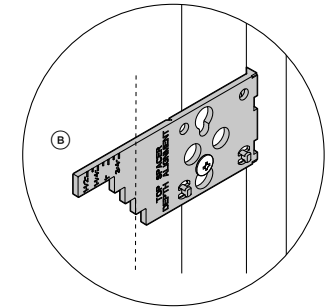


Aligning with the depth gauges

- Mark the step of the depth gauges (**A, B**) on both sides of the door based on the thickness of door panel.
 - Example illustrations showing the door panel thickness (25.4mm) marked on the gauges.

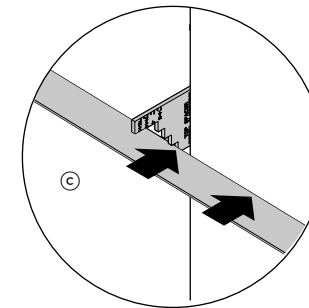


Left

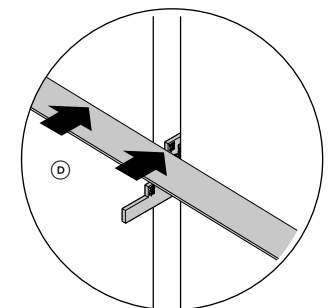


Right

- Check if the gaps between appliance and cabinetry side walls are even on left and right sides (**C, D**).



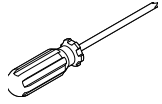
Left



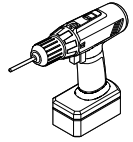
Right

POSITION AND ALIGNMENT IN CABINETY

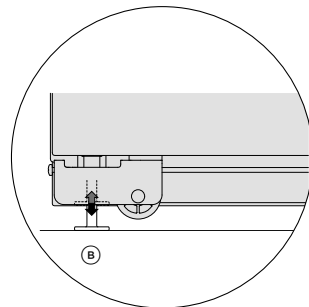
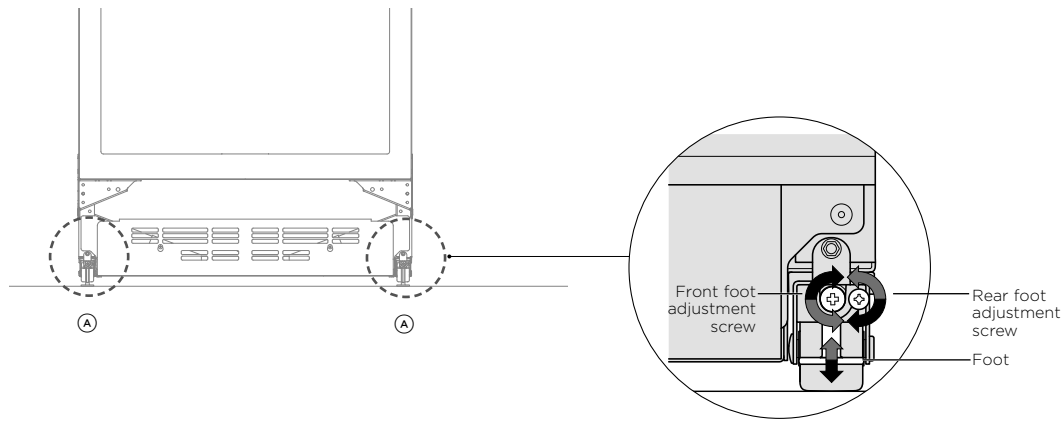
Tools



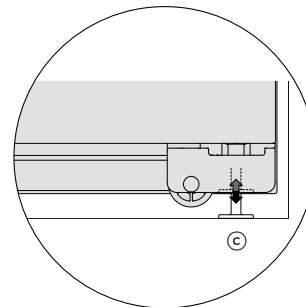
Cross-head screwdriver



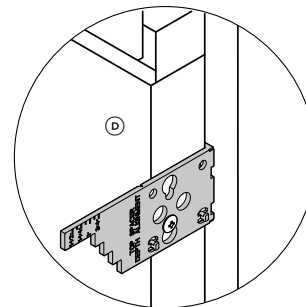
Powered driver
(optional)



Front side view



Rear side view



Adjusting the alignment in the cabinetry

- Clockwise turn of the front and rear adjustment screws (**A**) raise the height of the appliance.
- Counter-clockwise turn of the adjustment screws lower the height of the appliance.

- ① Turn the front and rear adjustment screws clockwise to extend the front feet (**B**) and rear feet (**C**) until they engage the floor and the top bracket reaches the cabinetry ceiling.

- ② Check the depth gauges (**D**) while adjusting the screws to maintain alignment of the appliance.

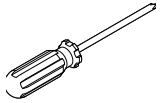
SECURE APPLIANCE TO CABINETRY

Install fasteners kit

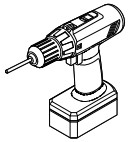


8Gx16 Countersunk screw (6)

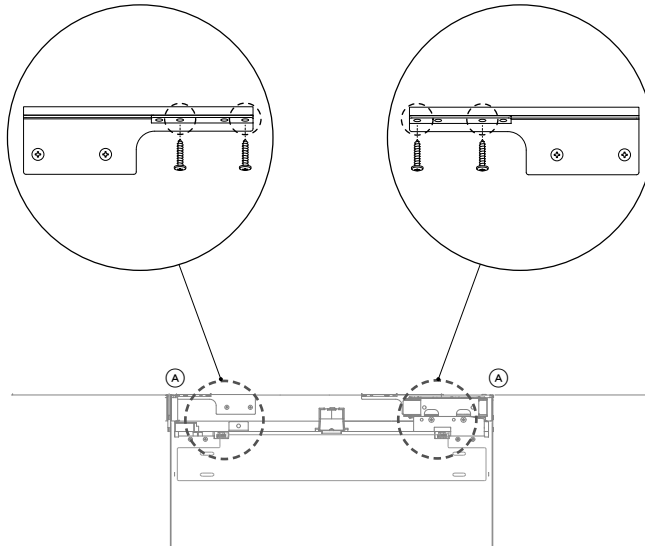
Tools



Cross-head screwdriver

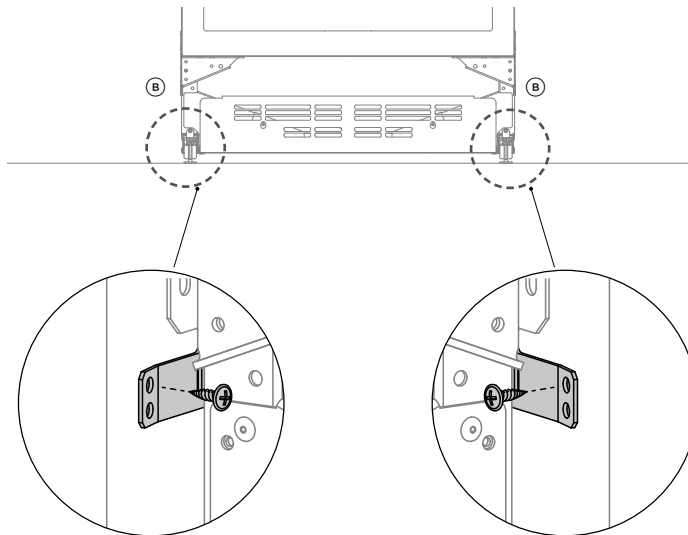


Powered driver (optional)



Securing the top brackets

Fix the top brackets to the ceiling surface of the cabinetry with 8Gx16 countersunk screws. **(A)**



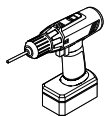
Securing the side brackets

Fix the side brackets (2x) to the lower right and left sides of the cabinetry with 8Gx16 countersunk screws. **(B)**

Once the appliance is secured to the cabinetry, remove the alignment gauges and re-tighten the side screws.

REMOVE HANGING BRACKETS

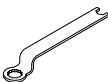
Tools



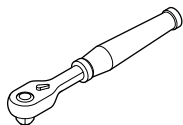
Powered driver



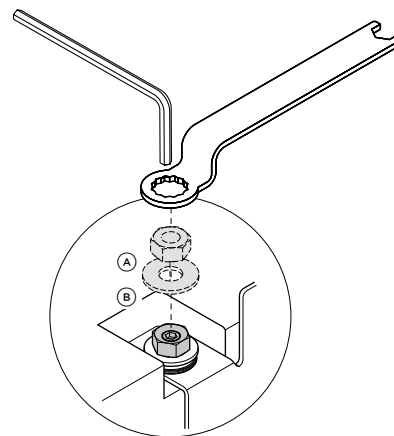
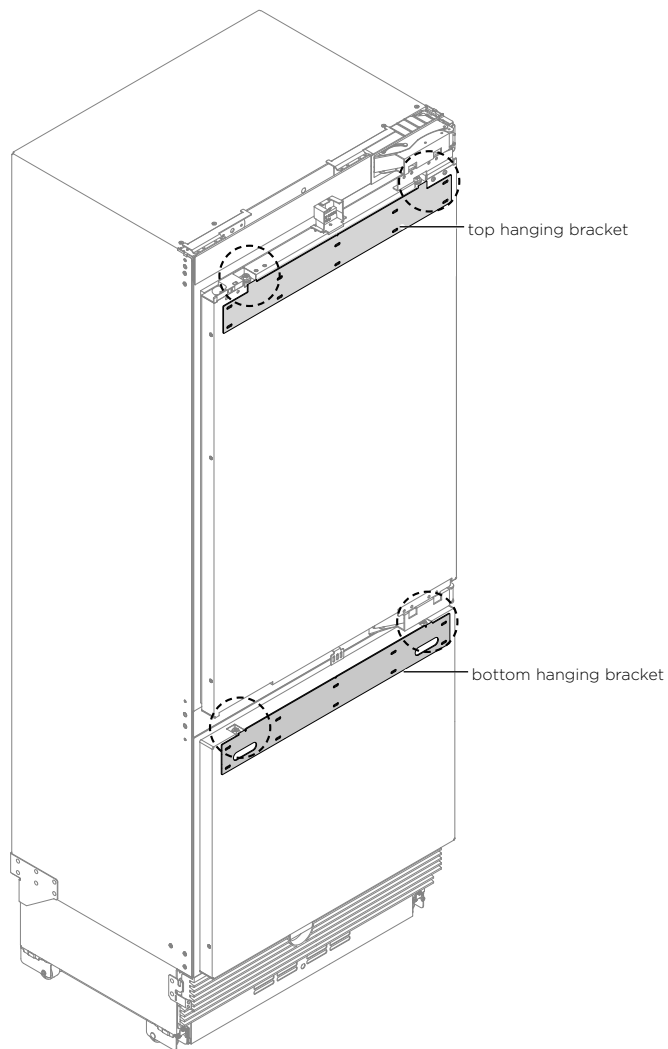
M8 hex key



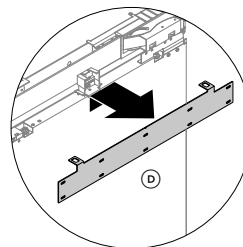
13mm spanner



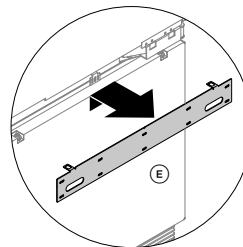
13mm socket wrench



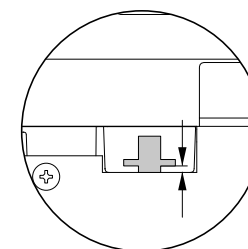
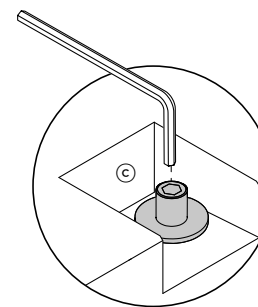
- 1 Remove the M8 nut (**A**) and M8 washer (**B**) from the M8 screw at the top of the refrigerator door using the supplied hex key and spanner. Repeat step for the drawer door. Use a 13mm socket wrench to tighten or loosen the M8 nut.



- 2 Remove the top and bottom hanging brackets (**D**, **E**) and set aside to use later.



- 3 Loosen the M8 screw (**C**) by 1/8" (3mm).



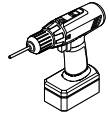
INSTALL DOOR AND DRAWER PANELS

Door handle kit



M5x25 Hex screw (4x)

Tools



Powered driver



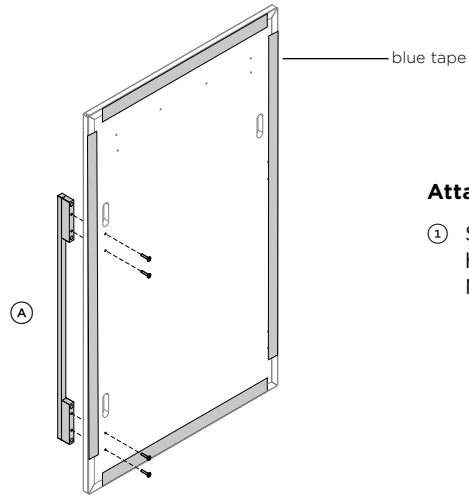
M8 hex key (1)



13mm spanner (1)

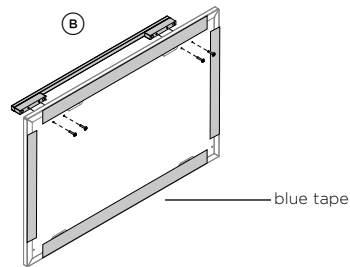
STAINLESS STEEL PANELS

Remove the protective film around the handle attachment area of the stainless steel panel before installing the handle.



Attaching refrigerator door handle

- 1 Secure the door handle to the handle holes of the refrigerator door with M5x25 pan head socket screws. **(A)**

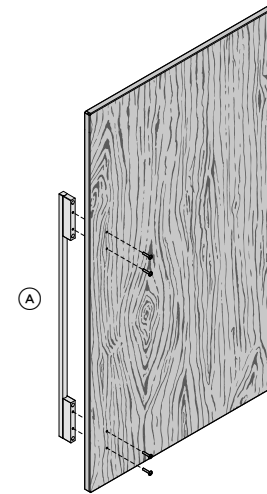


Attaching freezer drawer handle

- 2 Secure the door handle to the handle holes of the freezer door with M5x25 pan head socket screws. **(B)**

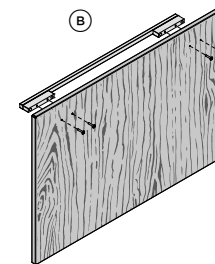
Remove the blue tape attached to inner edges of the door panels after the handles are installed.

CUSTOM PANELS



Attaching refrigerator door handle

- 1 Refer to 'Custom door panel dimensions' page to locate the screw holes on the door panel.
- 2 Secure the top door handle to the handle holes of the refrigerator door with #8x16 mush washer screw. **(A)**



Attaching freezer drawer handle

- 3 Secure the bottom door handle to the handle holes of the freezer door with #8x16 mush washer screw. **(B)**

Ensure the door and drawer handles do not interfere when attaching the side attachment brackets. Refer to 'Custom door panel install dimensions' (page 17, page 25).

INSTALL DOOR AND DRAWER PANELS

Door panel attachment kit



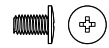
Side bracket (6)



Bracket slider (6)



Bracket spacer (6)



8Gx16 Mush washer screw (30) — For Stainless steel panels



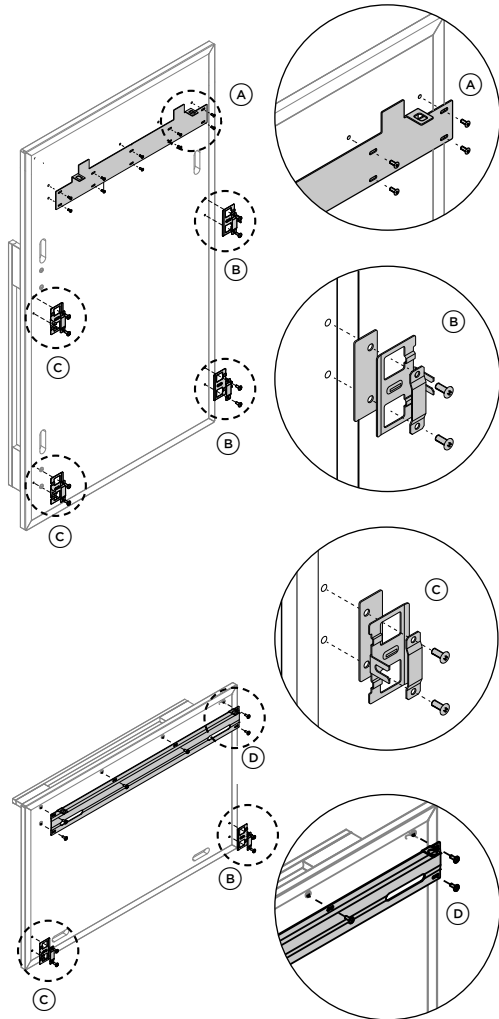
M5x12 Cross-head screw (30) — For Custom panels

Tools



Powered driver

STAINLESS STEEL PANELS



Attaching top hanging bracket

- Secure the top hanging bracket (A) to the screw holes of the refrigerator door panel with 8Gx16 Mush washer screws.

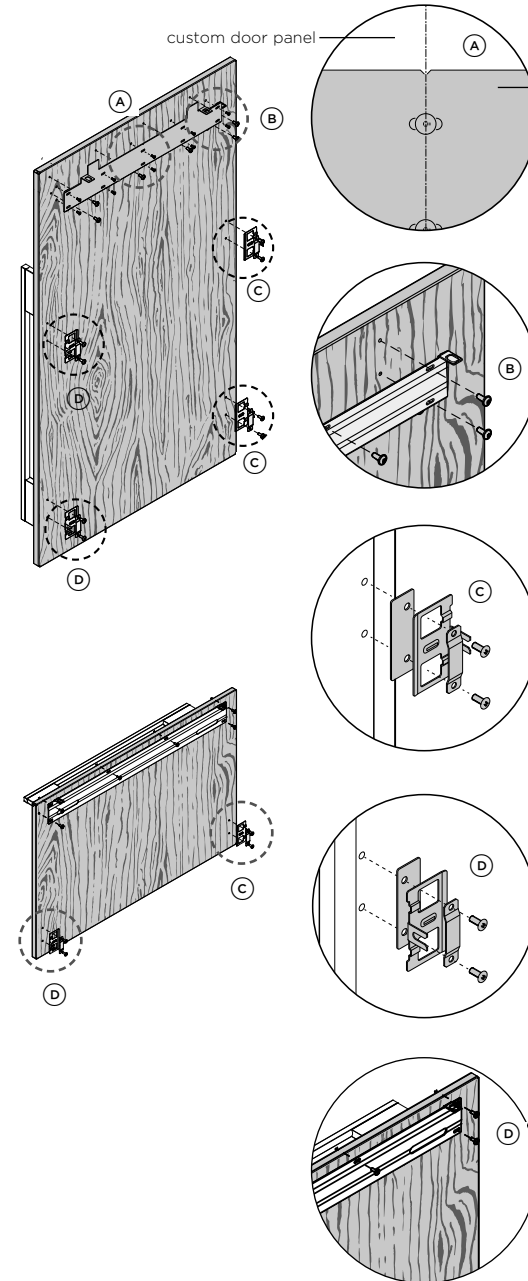
Attaching side brackets

- Secure the bracket spacer, side bracket and bracket slider (in order as per drawing) to the screw holes on both sides of the door and drawer panels with 8Gx16 mush washer screws. (B)

Attaching bottom hanging bracket

- Secure the bottom hanging bracket (D) to the screw holes of the freezer door panels with 8Gx16 Mush washer screws.

CUSTOM PANELS



Attaching top hanging bracket

- Mark a line across the centre of the custom door panel.
- Align the top of the centreline to the 'V' notch in the bracket. (A)
- Secure the top hanging bracket (B) to the screw holes of the refrigerator custom door panel with M5x12 cross-head screws

Attaching side brackets

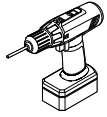
- Secure the bracket spacer, side bracket and bracket slider (in order as per drawing) to the screw holes on both sides of the door and drawer panels with M5x12 cross-head screw. (C).

Attaching bottom hanging bracket

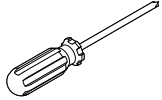
- Secure the bottom hanging bracket to the screw holes of the freezer door panels with M5x12 Cross-head screws. (D)

INSTALL DOOR AND DRAWER PANELS

Tools



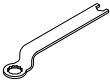
Powered driver
(with 2.5mm drill bit)



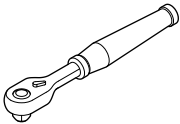
Cross-head screwdriver



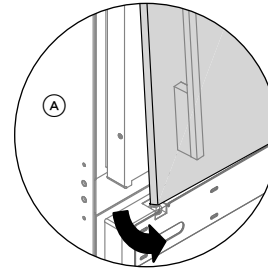
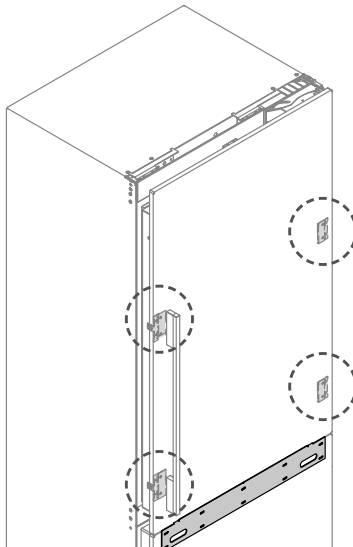
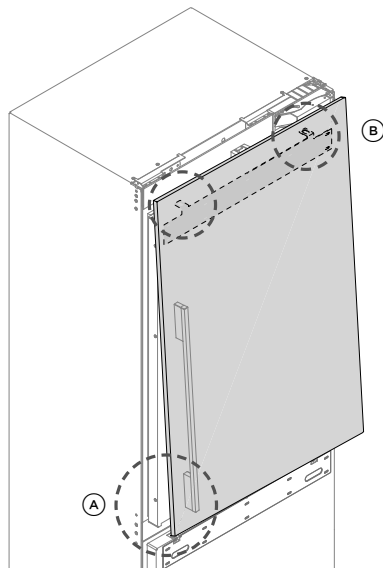
M4 hex key (1)



13mm spanner (1)

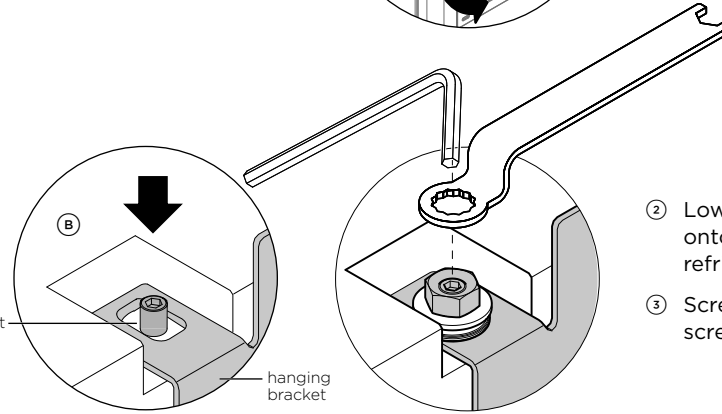


13mm socket wrench

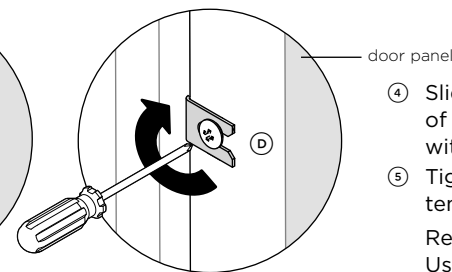
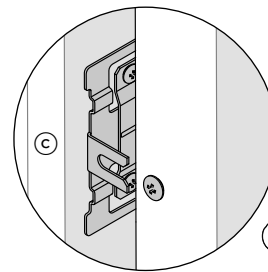


Hanging the refrigerator door panel

- 1 Hold the door panel at an angle towards the top of the refrigerator door (**A**).



- 2 Lower the screw holes of the hanging bracket onto the adjustment screws at the top of the refrigerator door. (**B**)
- 3 Screw the M8 washer and nut to the adjustment screw and loosely tighten.



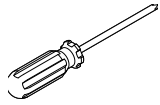
- 4 Slide-in the side brackets (**C**) to the side screws of the door, and align the door panel straight with the refrigerator door.
- 5 Tighten the side screws (**D**) loosely to temporarily secure the door panel.

Repeat steps 1 - 4 for the freezer drawer panel. Use a 13mm socket wrench to tighten or loosen the M8 nut.

Left isometric view

INSTALL DOOR AND DRAWER PANELS

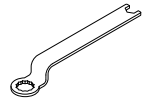
Tools



Cross-head screwdriver

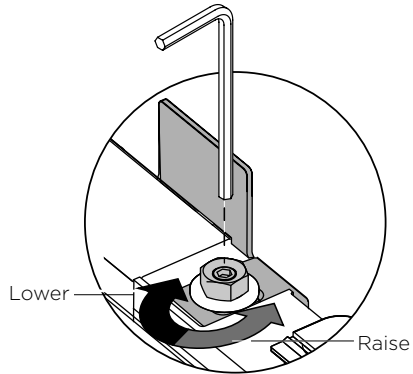


M4 hex key (1)



13mm spanner (1)

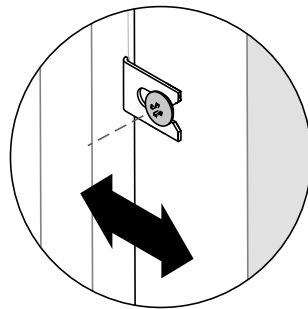
Ensure the side brackets are loosely screwed when adjusting the height of the door panel. Do not adjust the door panel height when the side brackets are screwed tight. This can generate friction which causes the hanging brackets to bend.



Adjusting height of door panel

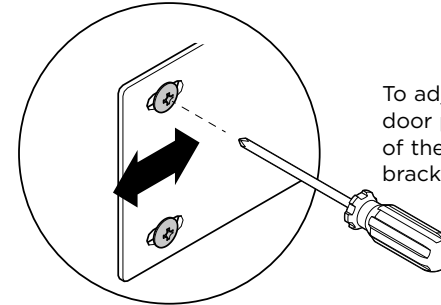
- ① Turn the adjustment screw to raise or lower the height of the door panel relative to the door.
- ② Continue adjustment until gap with cabinetry is more than 3mm.

Do not adjust the adjustment screw higher than 6.5mm from its fully down position.

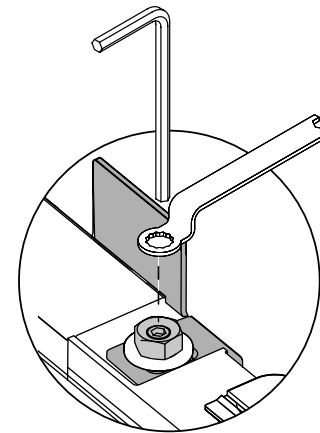


Adjusting depth of door panel

- ③ Loosen side screws on the side brackets, and slide door panel forward/backward.
- ④ Re-tighten once satisfied.



To adjust door panel further, remove the door panel then loosen the fixing screws of the hanging bracket and move the bracket sideways to suit.

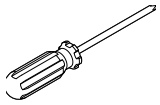


To adjust door panel further, remove the door panel then loosen the fixing screws of the hanging bracket and move the bracket sideways to suit.

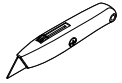
- Once satisfied with door panel position, fully tighten M8 washer and nut to adjustment screw.

INSTALL LOCKING BRACKET

Tools



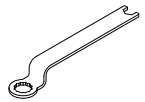
Cross-head screwdriver



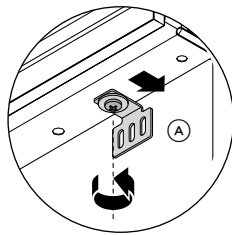
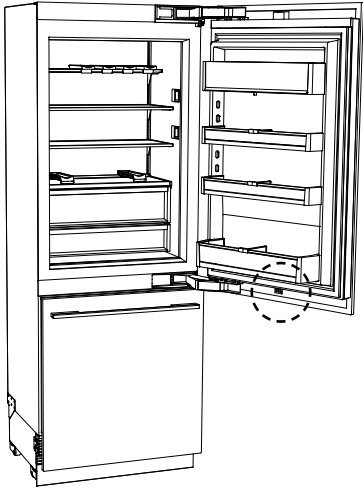
Cutter



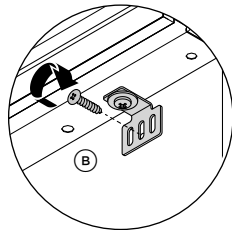
M4 hex key (1)



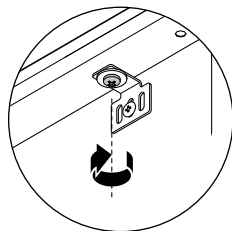
13mm spanner (1)



- ① Loosen the screw at the bottom of the refrigerator door, and slide the locking bracket (A) out until it touches the panel.

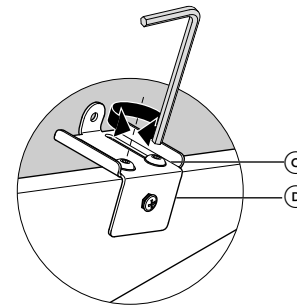
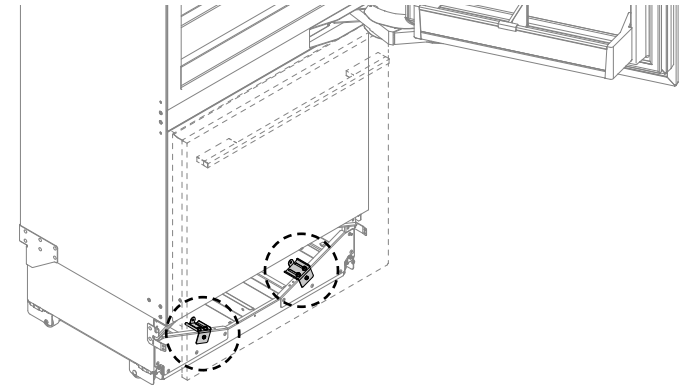


- ② Fix the locking bracket to the door panel with 8Gx16 countersunk screw (B).

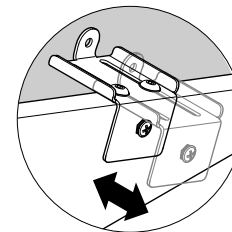


- ③ Re-tighten the screw at the bottom of the door.

INSTALL ADJUSTMENT BRACKETS



- ① Loosen the cap screws (C) of the adjustment brackets (D) on both sides of the plinth with a hex key.



- ② Adjust the brackets to the desired depth by moving it forward/backward.
- ③ Re-tighten the cap screws once satisfied.

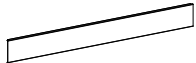
INSTALL TOE KICK PANEL

Miscellaneous components



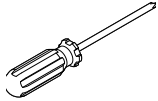
Air toe kick seal (1)

Toe kick install kit

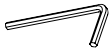


Toe kick panel (1)

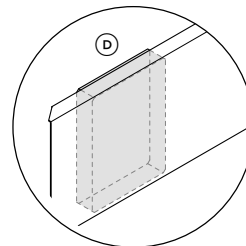
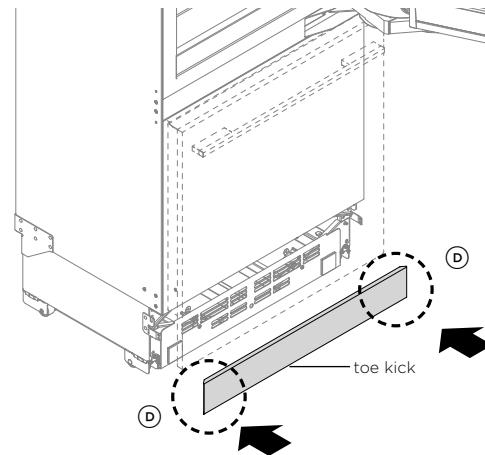
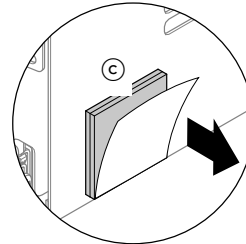
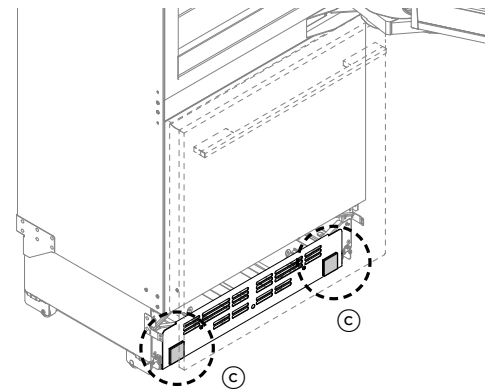
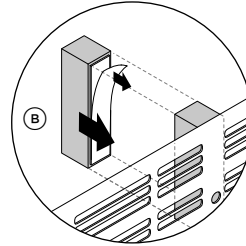
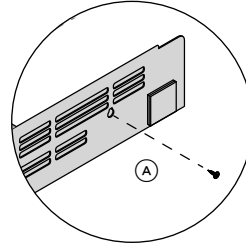
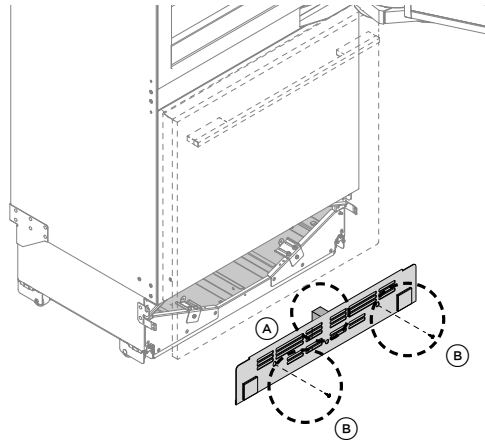
Tools



Cross-head screwdriver



M4 hex key (1)



Attaching the mounting plate

- ① Re-attach the toe kick mounting plate (A) to the plinth using same screws that were set aside previously.
- ② If toe kick depth is less than 92mm, attach an air toe kick seal (B) to the mounting plate.
 - Peel off the adhesive tape of air toe kick seal and attach to the middle of the back side of the mounting plate.

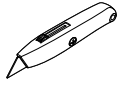
- ③ Peel off the adhesive tape backing of the magnets (C) attached to the mounting plate.

Attaching the toe kick panel

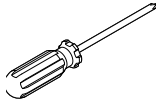
- ① Position the toe kick in front of the mounting plate.
 - The spacers (D) on the toe kick must be aligned with the magnets of the mounting plate.
- ② Press the toe kick onto the mounting plate to fix the position.
 - For custom toe kick, spacers are not needed.
 - For correct dimensions of toe kick, refer to 'Toe kick panel dimensions' for more information.

INSTALL TOE KICK GRILLES

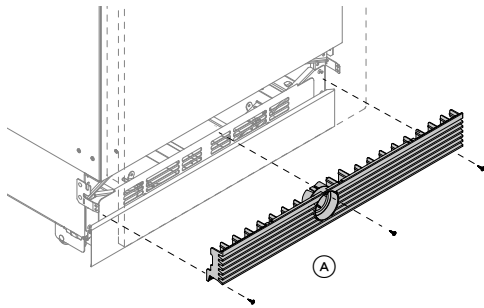
Tools



Cutter

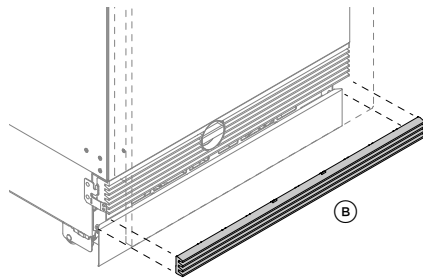


Cross-head screwdriver



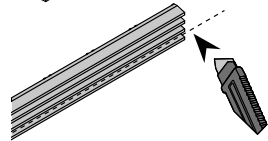
Installing the top grille

- 1 Reattach the top grille (**A**) using the same screws set aside previously.

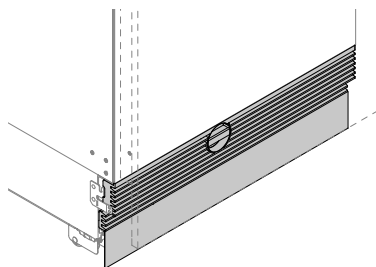


Installing the bottom grille

- 1 Reattach the bottom grille (**B**) to the mounting plate .

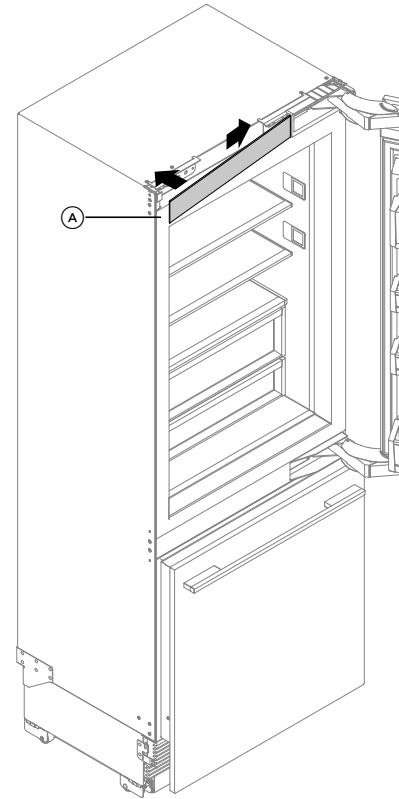


For toe kick heights 114 - 127mm, shorten the bottom grille by cutting along the vertical ribs.



Toe kick, top and bottom grilles complete installation

INSTALL TOP TRIM



Reinstalling the top trim

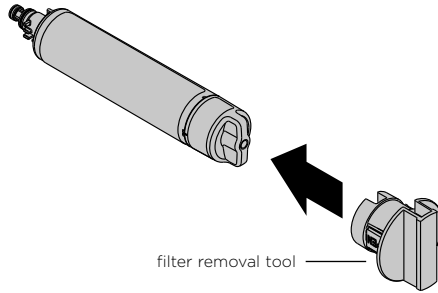
- 1 Slide one end of the top trim (**A**) into the hinge pocket of the appliance.
- 2 Press the other end to engage the dual lock strips on the non-hinge side of the appliance.

INSTALL WATER FILTER

Supplied tools



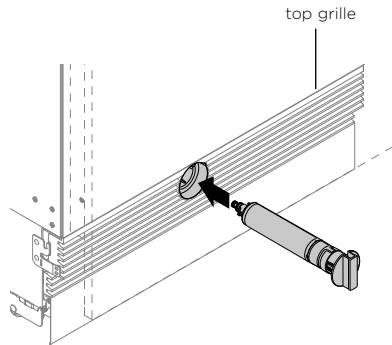
Water filter (1)



filter removal tool

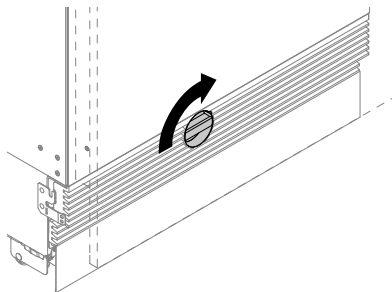
Inserting the water filter

- ① Remove the packaging from the water filter.
- ② Align the filter head with the slot of the filter removal tool and push until it clips in place.

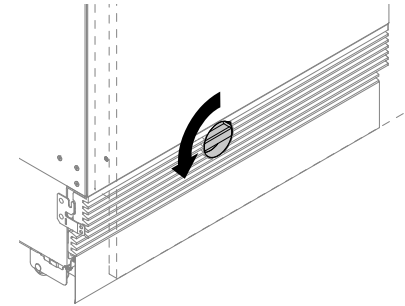


top grille

- ③ Using the water removal tool, hold the water filter with the handle positioned vertically and insert into the filter casing through a hole in the top grille.

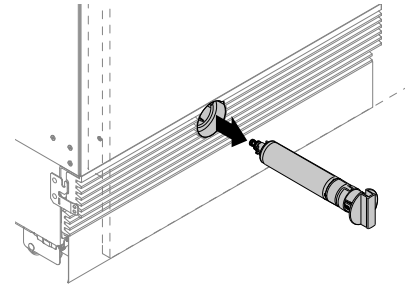


- ④ Push firmly until the water filter is all the way into the casing.
- ⑤ Turn the filter removal tool clockwise to lock the water filter in place.



Removing and replacing the filter

- ① To remove the water filter, turn the filter removal tool anticlockwise and pull out the filter.



- ② Unclip the tool from the filter head and discard the used water filter. Refer to 'Inserting the water filter' when replacing the filter.

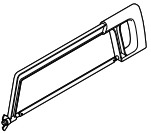
INSTALL AIR FLOW DIVIDER

Miscellaneous components



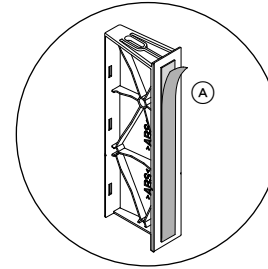
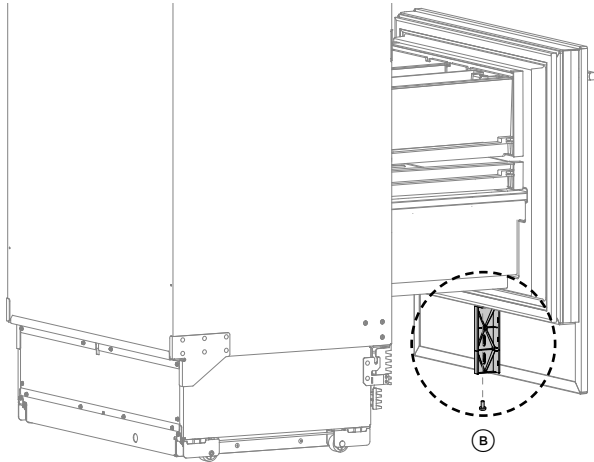
Flow divider cap (1)

Tools

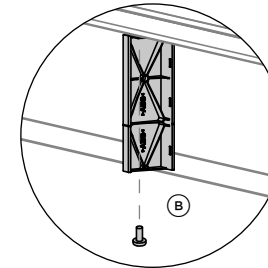


Hacksaw

The air flow divider blocks the air flow from bypassing the front of the bottom grille.



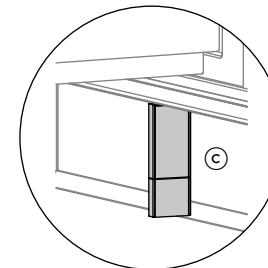
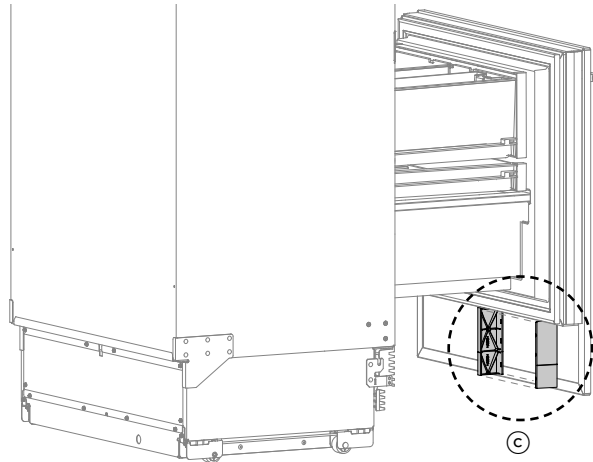
① Remove the adhesive layer (**A**) off the air flow divider.



② Reinstall the air flow divider (**B**) to the bottom of the freezer drawer with screw.

- Ensure the adhesive layer side of the divider contacts the door panel.

③ Press the flow divider firmly against the door panel.



④ Attach a flow divider cap (**C**) to the flow divider.

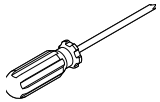
INSTALL CABINET SIDE TRIMS

Install parts

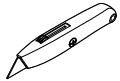


Cabinet side trim (2)

Tools

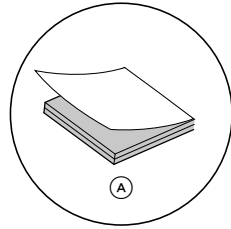
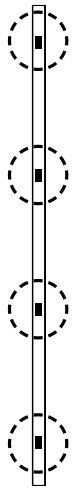


Cross-head screwdriver

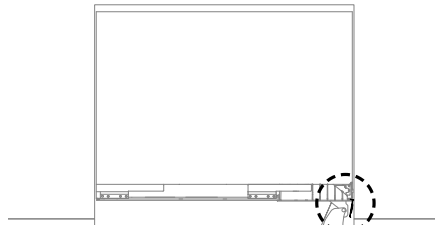


Cutter

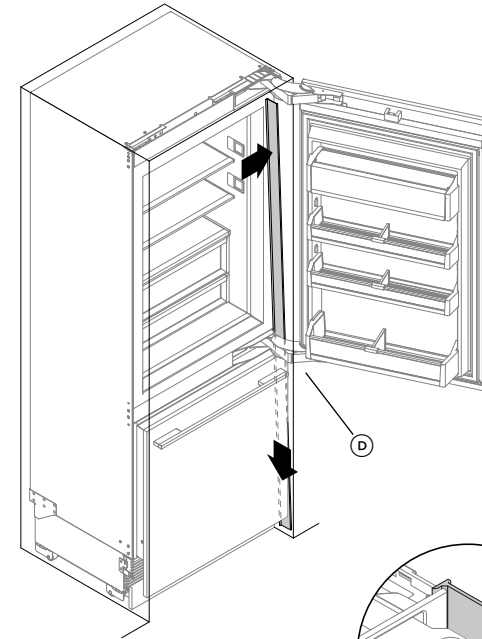
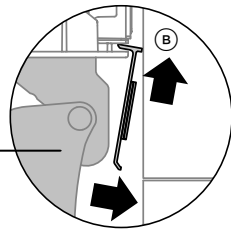
Dual adhesive strips are pre-attached at four locations along the side trim.



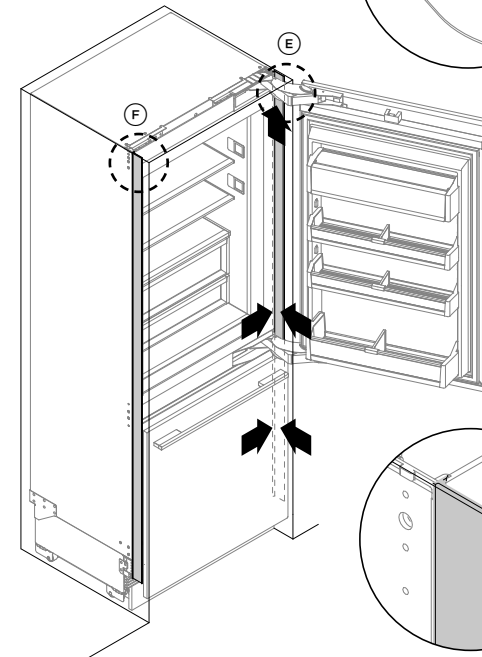
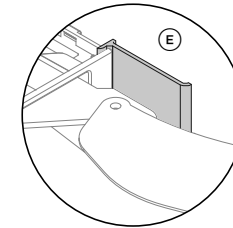
① Peel off the liners from the dual adhesive strips (A).



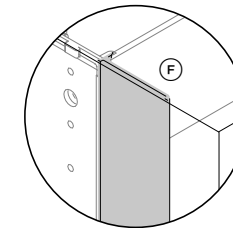
② Position the trim (B) at an angle on the throat of the door hinge (C).



③ Hold the same angle and slide the side trim bottom end behind the lower hinge down to the bottom drawer side. (D)
④ Slide the side trim top end behind the top hinge.



⑤ Slot the side trim behind the top hinge pocket. (E)
⑥ Press the adhesive strip to the cavity to ensure the trim is also tight against the inner face of the appliance.
⑦ On the non-hinge side, slide in the side trim behind the top trim. (F)



INSTALL DOOR AND DRAWER SIDE TRIMS

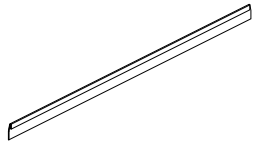
Trims install kit



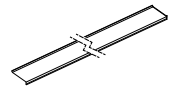
Top door panel side extrusion (2)



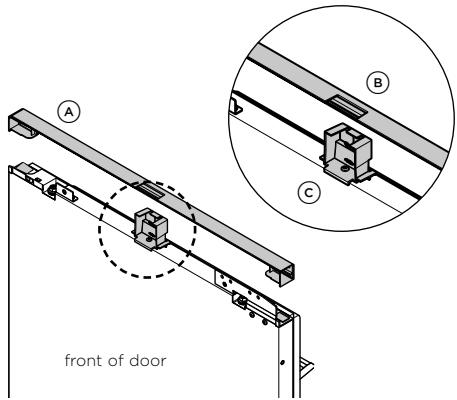
Bottom drawer panel side extrusion (2)



Bottom drawer top trim (1)



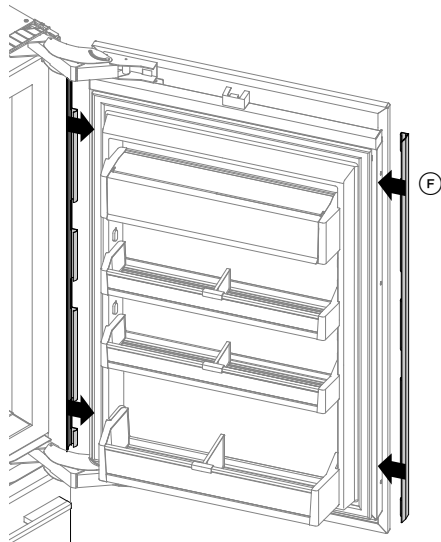
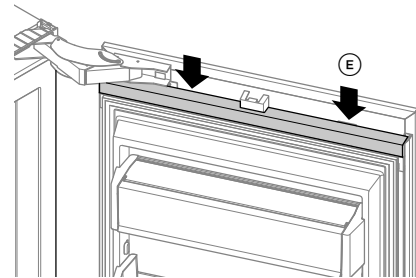
Cabinet side trim (2)



front of door

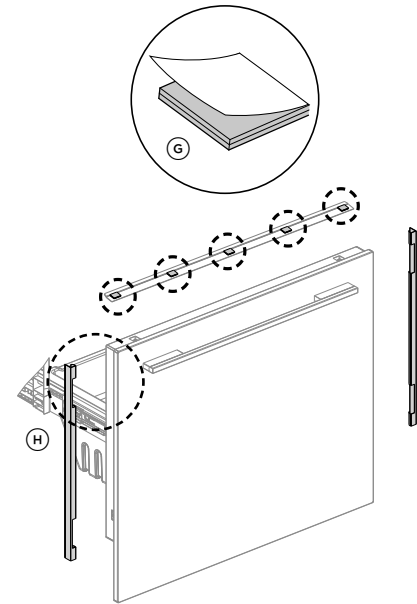
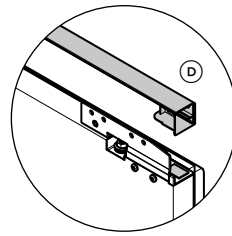
Install door top extrusion

- 1 Align the top extrusion (A) to the top of the door, and match the notch (B) with the magnet housing (C).
- 2 Clip the trim caps (D) at both ends of top extrusion to both ends of the top of the door.
- 3 Press the top extrusion down to the door top surface. (E)



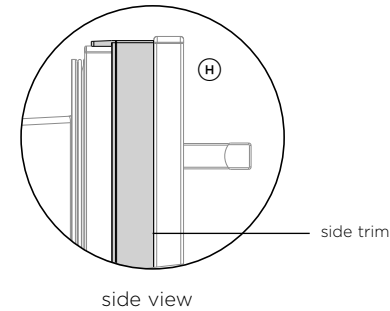
Install door side extrusions

- 1 Press the side trims (F) to fit into the panel gaps on the right and left sides of the door.
- 2 Align the top of the side trims to fit with the right and left ends of the top extrusion.



Install drawer top and side trims

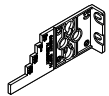
- 1 Remove the adhesive backing of adhesive strips pre-attached to the underside of the top trim (G).
- 2 Press down the top trim firmly to engage the back surface of the drawer panel.
 - Ensure the trim is fully seated against the drawer top surface.
- 3 Install the side trims (H) by inserting into the panel gaps on each side of the door.
 - Ensure the cabinet is centred to prevent the side trims from interfering with the cabinet.



Your columns Installation is now complete!

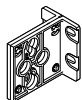
DUAL INSTALLATION

Install fasteners kit



Cabinet depth alignment gauges (4)

Top joiner bracket kit

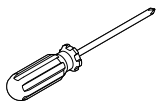


Central spacer (1)

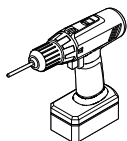


8Gx16 Mush washer screw (2)

Tools

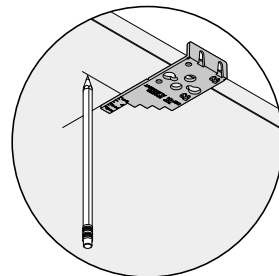
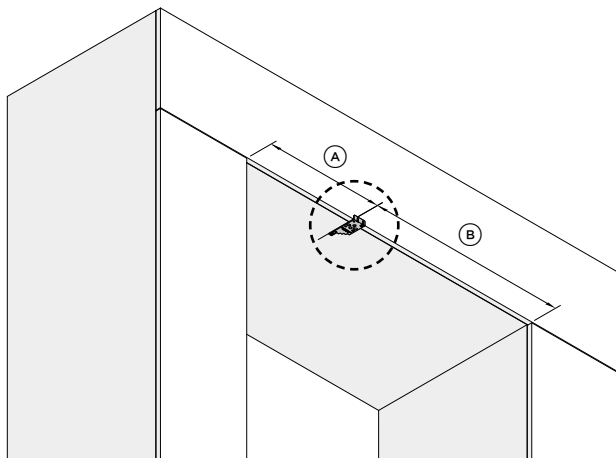


Cross-head screwdriver



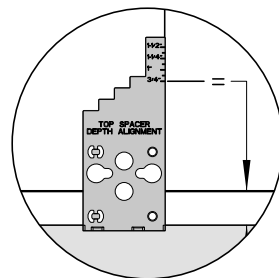
Powered driver (optional)

Attach central spacer to cabinetry

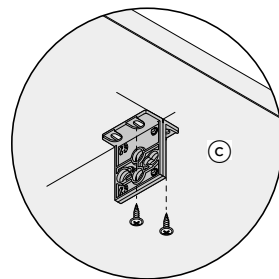


- ① Measure the widths from the left (**A**) and right (**B**) cabinetry sides towards the centre to determine the spacer location.

Refer to "Cavity dimensions" page for correct width of the appliance.



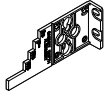
- ② Mark the attachment location of the central spacer on the cabinetry ceiling using the depth alignment gauge (**C**).
 - The depth position of spacer depends on the door panel thickness.



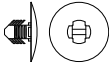
- ③ Fix a central spacer (**C**) to the alcove ceiling with two 8Gx16 countersunk screws.
- ④ Tighten the screws with a screwdriver or powered driver.

DUAL INSTALLATION

Install fasteners kit

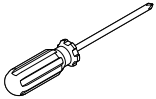


Cabinet depth alignment gauges (4)

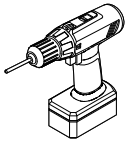


Barbed plugs (2)

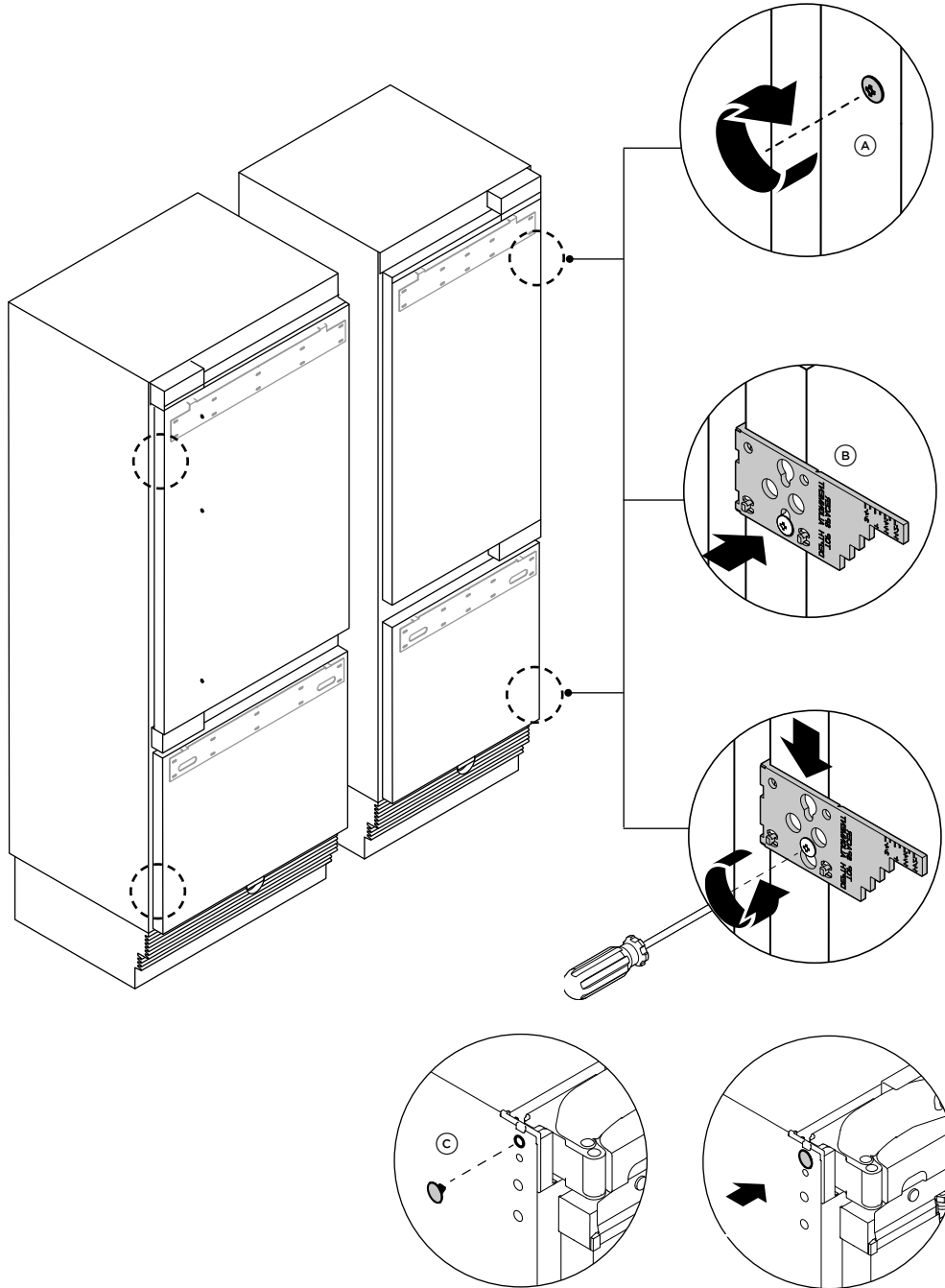
Tools



Cross-head screwdriver

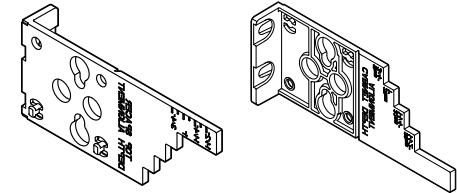


Powered driver (optional)



Attaching the depth alignment gauges

- ① Loosen the screws (**A**) at the cabinetry sides of the door and drawer of each appliance.
- ② Locate the alignment gauges (**B**) at correct orientation to the right and left side screws.



Left

Right

- ③ Position the alignment gauge by inserting the screw head through the keyhole of the gauge.

- ④ Push the alignment gauge down to lock the screw position in the keyhole.
- ⑤ Tighten the screw just enough to firmly hold the gauge.

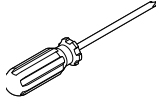
The alignment gauges are only temporary and must be removed after installation.

Attaching the barbed plugs

- ① Before rolling into the cavity, insert barbed plugs (**C**) into large holes on the top right and left sides of both appliances.
- ② The plugs protect the inside surface of cabinetry from being damaged by screws when pushing in the appliance.

DUAL INSTALLATION

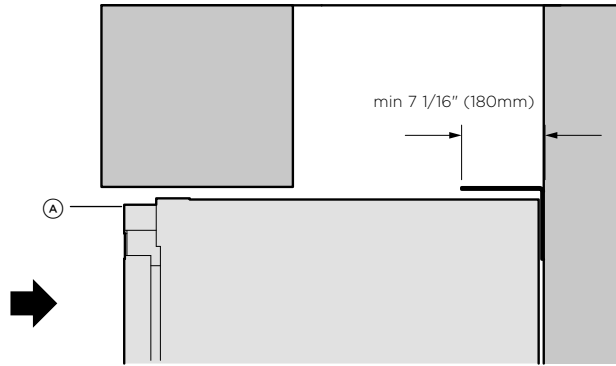
Tools



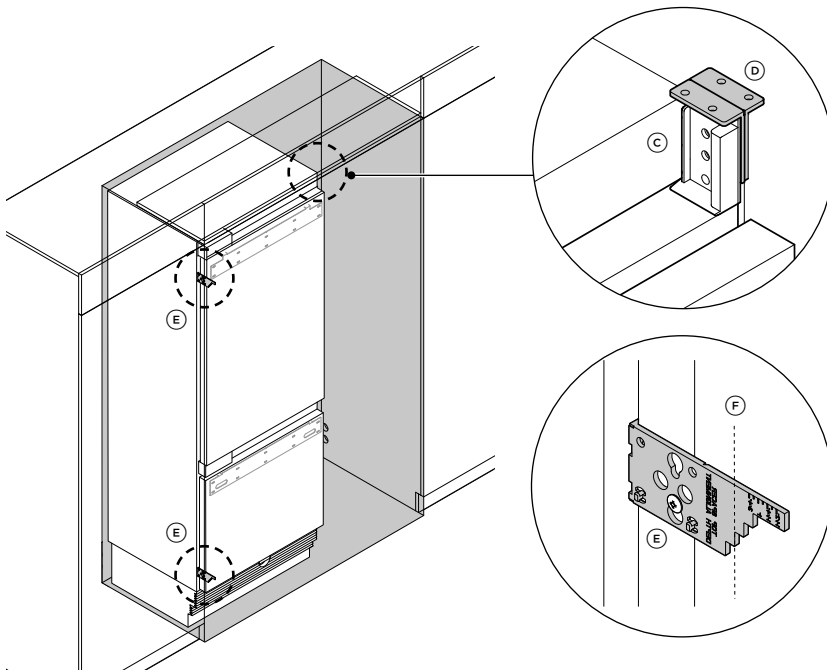
Cross-head screwdriver



Ruler



PROFILE VIEW



Aligning the first appliance into the cabinetry

- ① Roll the first appliance (A) slowly into one side of the cabinetry until the anti-tip bracket (B) overlaps the back edge of the appliance.
Ensure the bracket overlaps the appliance by a minimum 180mm for a secure hold. Refer to 'Install anti-tip bracket' for more information.

- ② Align the top cap (C) of the first appliance flush with the front of the spacer (D).

- ③ Mark the step of the depth gauges (E) on the cabinetry side of the door based on the thickness of door panel.
- ④ Align the marked line (F) flush with the front surface of the adjacent cabinetry.

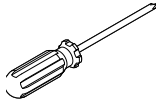
DUAL INSTALLATION

Install fasteners kit

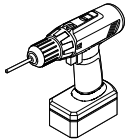


8Gx16 Countersunk screw (6)

Tools



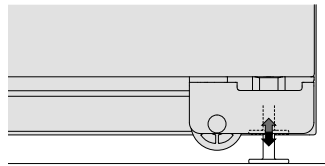
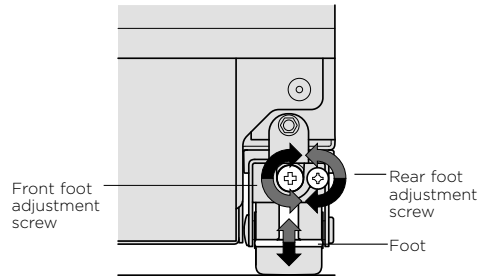
Cross-head screwdriver



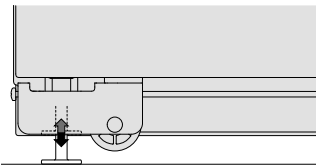
Powered driver (optional)



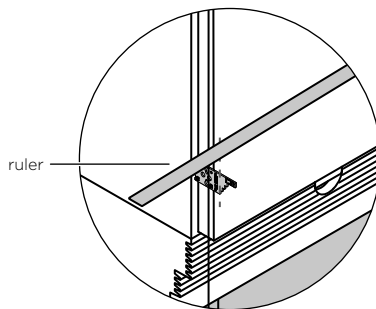
Ruler



Rear foot



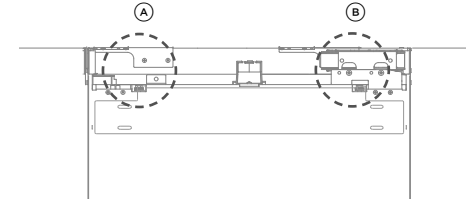
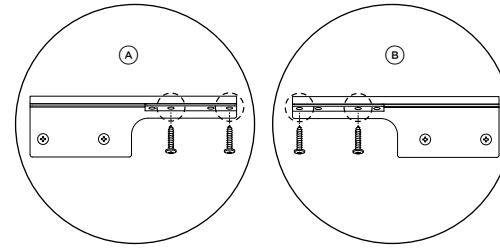
Front foot



Adjusting the height of first appliance in cabinetry

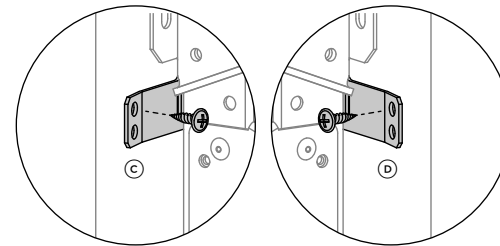
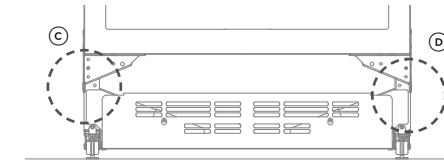
- ① Turn the front and rear adjustment screws clockwise to raise height of the appliance and counter-clockwise to lower the height.
- ② Turn the front and rear adjustment screws clockwise to extend the feet until it engages the floor, and the top bracket reaches ceiling of the alcove.

- ③ Check the alignment gauges while adjusting the screws to maintain the alignment of the appliance.
- ④ Using a ruler, check if the gaps between appliance and cabinetry side wall are even.



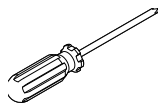
Securing first appliance in cabinetry

- ① Fix the left and right top brackets (**A**, **B**) to the ceiling surface of the cabinetry with 8Gx16 countersunk screws.
- ② Fix the left and right lower side brackets (**C**, **D**) to the cabinetry side surface with 8Gx16 countersunk screws.



DUAL INSTALLATION

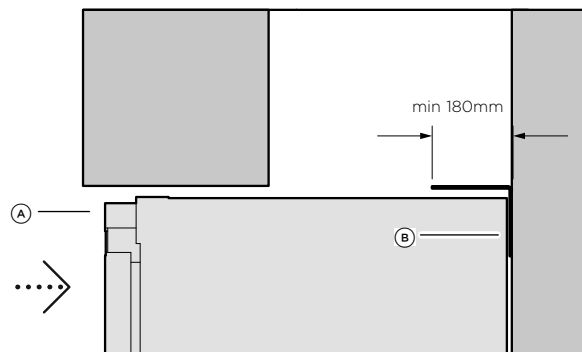
Tools



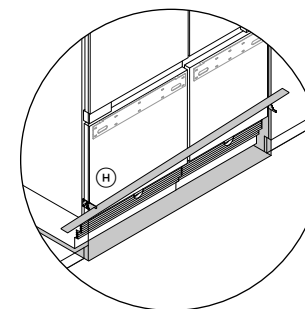
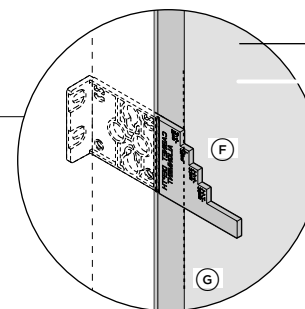
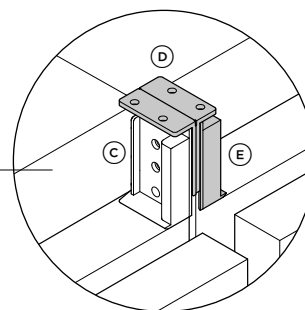
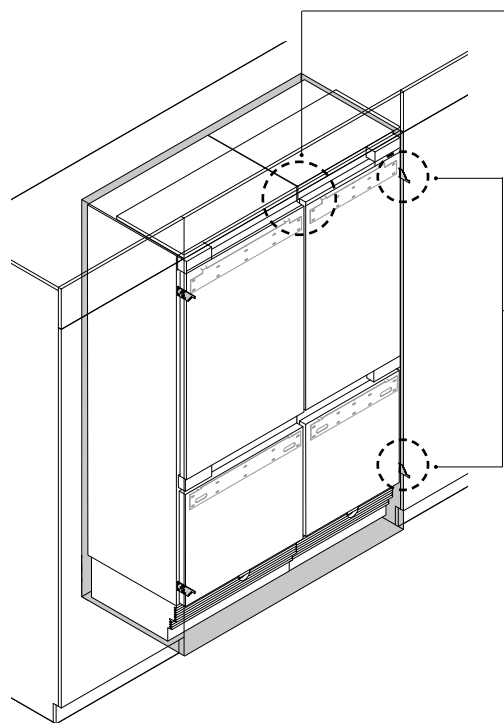
Cross-head screwdriver



Ruler



PROFILE VIEW



Aligning the second appliance into the cabinetry

- ① Push the second appliance (A) to roll slowly into the other side of the cabinetry side by side with the first appliance.
 - Ensure the bracket (B) overlaps the appliance by a minimum 180mm for a secure hold. Refer to 'Install anti-tip bracket' for more information.
- ② Align the top cap (C) of the second appliance flush with the central spacer (D) and top cap (E) of the first appliance.
- ③ Mark the step of depth gauge (F) on the cabinetry side of the door based on the thickness of door panel.
- ④ Align the marked line (G) flush with the front surface of the adjacent cabinetry.
- ⑤ Adjust the height of the second appliance. Refer to 'Adjusting the height of first appliance in cabinetry' (page 59).
- ⑥ Using a ruler (H), check if the gaps between appliances and cabinetry side walls are even.

DUAL INSTALLATION

Top joiner fastener kit



M5x20 Cap screw (1)



M5x16x1 Plain washer (1)

Bottom joiner fastener kit



M6x16 Washer screw (1)



M6x12x3.2 Plastic washer (1)



M6 Hex nut (1)

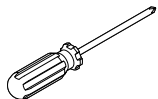


8Gx16 Countersunk screw (5)

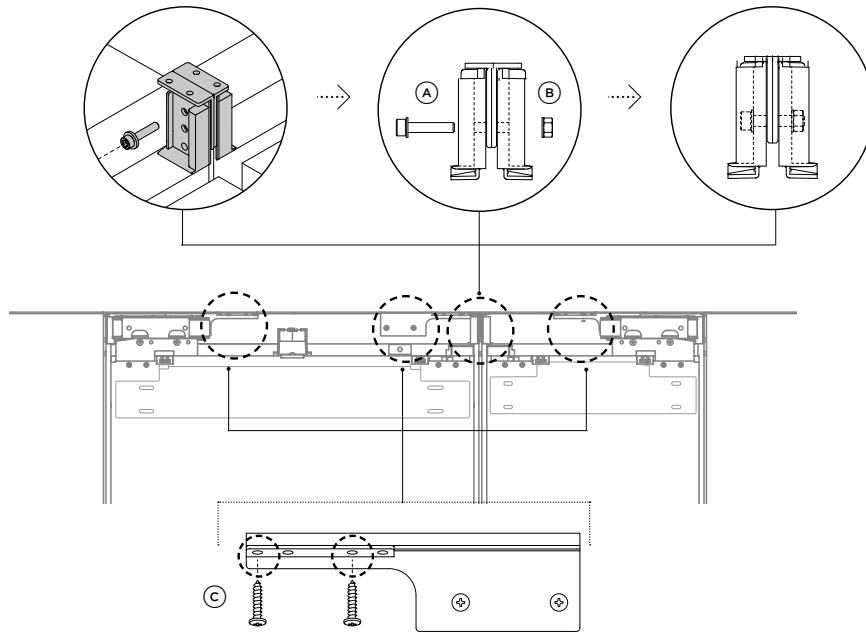
Tools



M4 Hex key

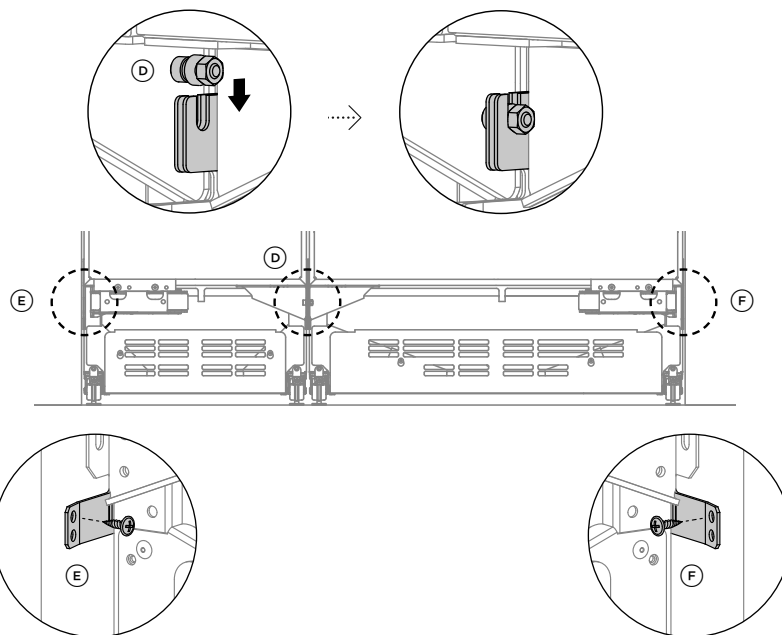


Cross-head screwdriver



Securing the top brackets

- ① Secure the top caps of both appliances to the central spacer with M5x20 cap screw **(A)** and washer **(B)**.
- ② Secure the top brackets to the ceiling surface of the cabinetry with 8Gx16 countersunk screws. **(C)**



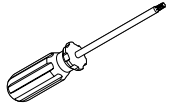
Securing the bottom brackets

- ③ Secure the bottom joiner brackets of both appliances together with the bottom joiner fastener kit **(D)**.
- ④ Secure the left and right bottom side brackets **(E, F)** of the second appliance to the cabinetry with 8Gx16 countersunk screw.

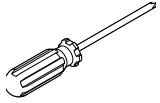
Refer to pages 44-55 to complete your installation.

CHANGE THE DOOR HINGES (OPTIONAL)

Tools



T2 star-head screwdriver

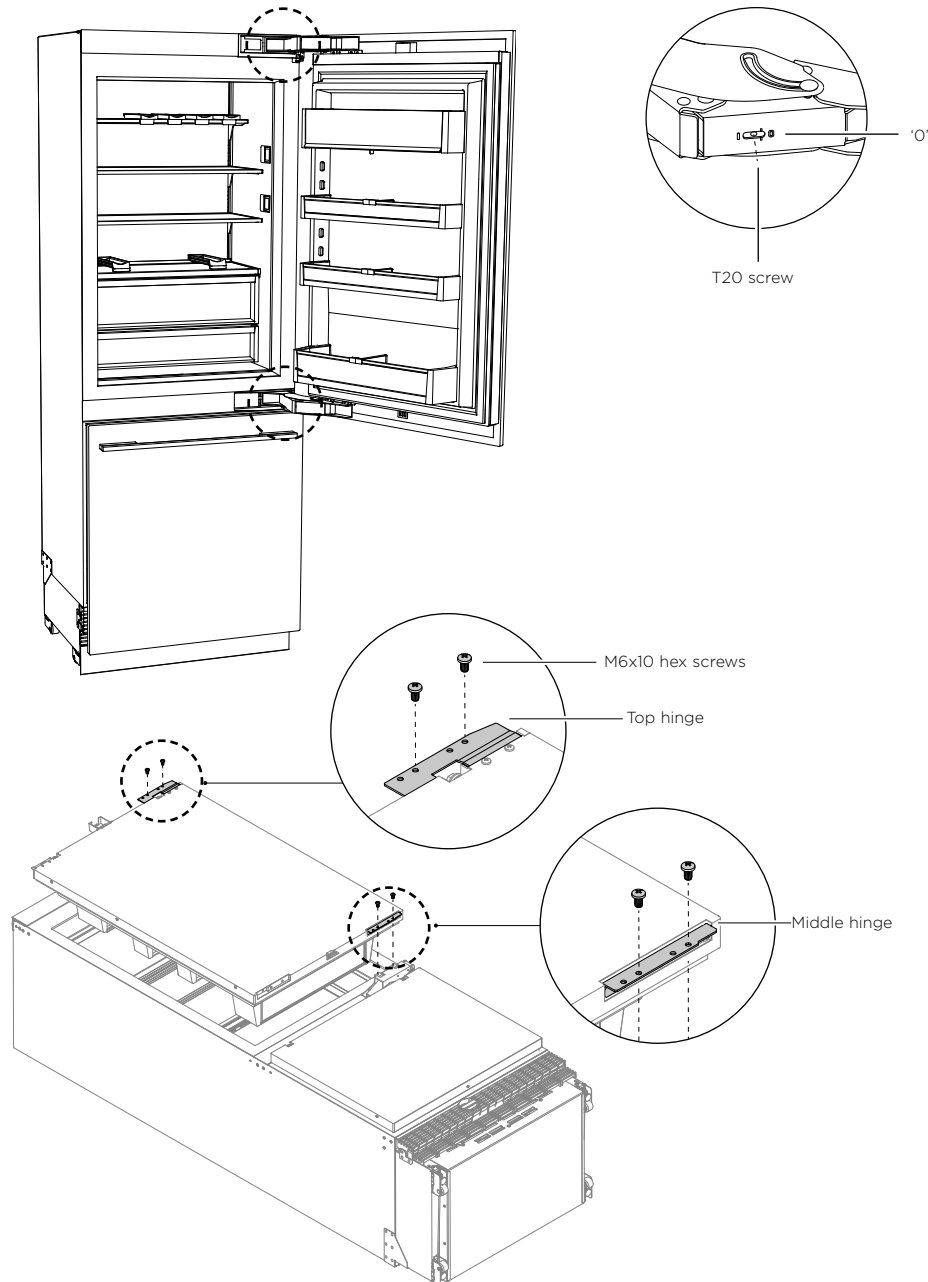


Cross-head screwdriver



Hex key

You have the option to switch the door hinge side of your appliance from right hand hinge to left hand hinge or vice versa. A hinge change kit is required for this installation, and must be purchased separately.



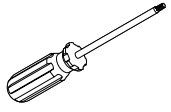
Ensure that you remove all the shelves, covers and trims from the appliance before changing the hinges. Take care not to damage the door.

- ① Release the hinge spring by turning the T20 screw in the hinge to the '0' position.
- ② Do this to both top and middle hinges.

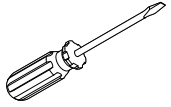
- ③ Close the door and place the appliance on its back on the pallet.
- ④ Detach the door from the appliance by unscrewing the door hinge M6x10 hex screws at the top and middle hinges.

CHANGE THE DOOR HINGES (OPTIONAL)

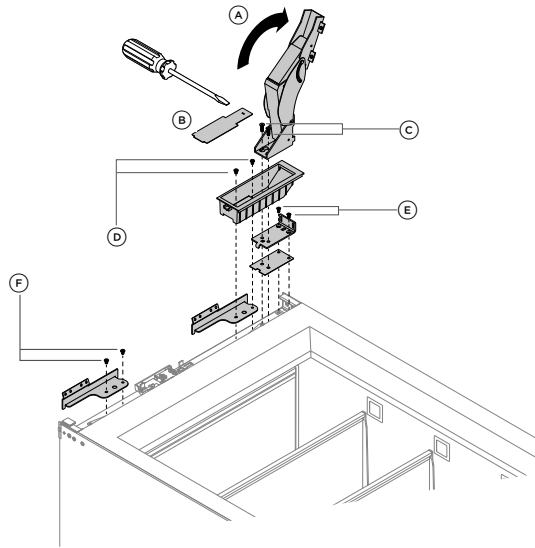
Tools



T2 star-head screwdriver

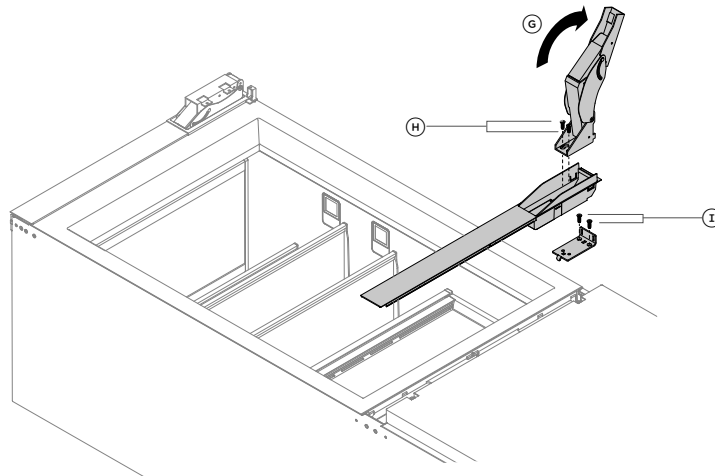


Flat-head screwdriver



Removing the top door hinge

- ① Rotate the top hinge (A) outwards and remove the top hinge pocket cover (B) using the flat head screwdriver in the slot of the cover.
- ② Unscrew M6x16 countersunk screws (C) to remove top hinge, and set aside to use later.
- ③ Unscrew M6x16 countersunk screws (D) from hinge pocket to remove hinge pocket and top alcove bracket.
- ④ Unscrew M5x12 countersunk screws (E) to remove top hinge bracket and spacer.
- ⑤ For the non-hinge side, remove the top alcove bracket by unscrewing the M6x16 countersunk screws (F).

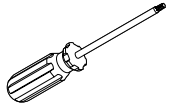


Removing the middle door hinge

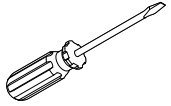
- ① Rotate the middle hinge (G) and unscrew M6x16 countersunk screws (H) to remove middle hinge, and set aside to use later.
- ② Unscrew M5x12 countersunk screws (I) to remove top hinge bracket and spacer.

CHANGE THE DOOR HINGES (OPTIONAL)

Tools

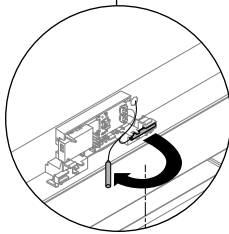
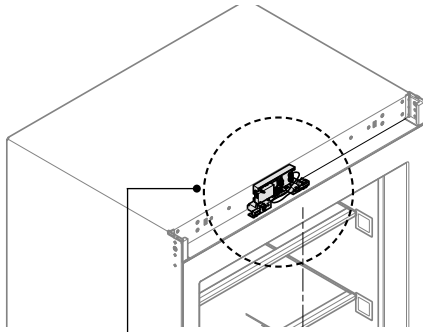


T20 star-head screwdriver

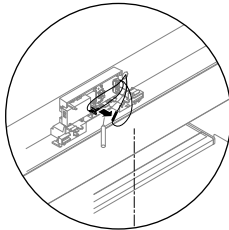


Flat-head screwdriver

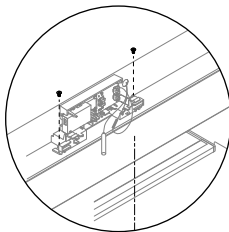
Moving the sensor housing



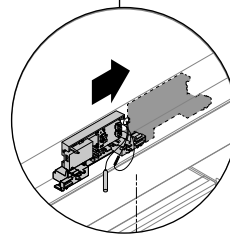
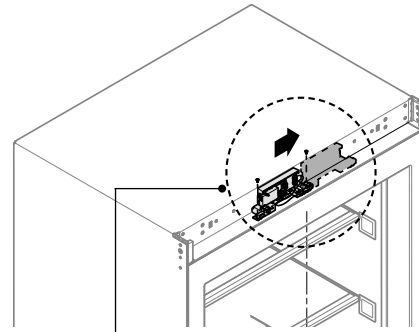
- ① Unclip the hall sensor from the housing.



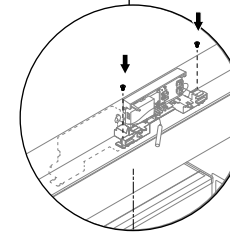
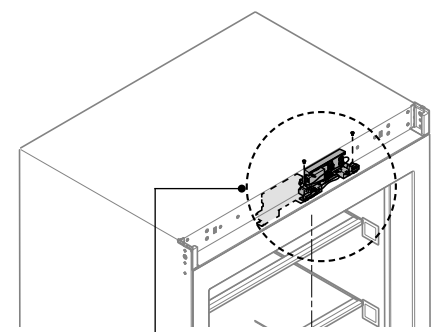
- ② Unhook the interceptor board harness from sensor housing so harness is loose.



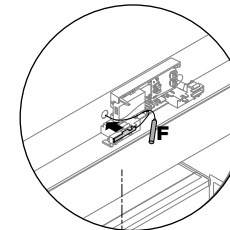
- ③ Remove the #8x16 screws (2x) from the sensor housing.



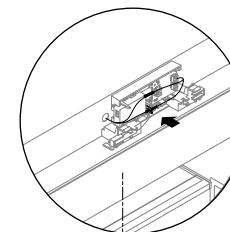
- ④ Move the sensor housing to align the opposite hall sensor clip with the centre of the cabinet.



- ⑤ Reinstall the sensor housing using #8x16 screws (2x) into the pre-drilled holes in the cabinet top panel.



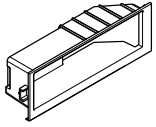
- ⑥ Clip the hall sensor into the sensor housing in the pocket closest to the centreline of the cabinet.



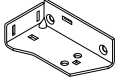
- ⑦ Press the harness from the interceptor board into the forks on the sensor housing.

CHANGE THE DOOR HINGES (OPTIONAL)

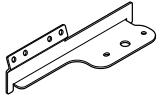
Hinge change assembly



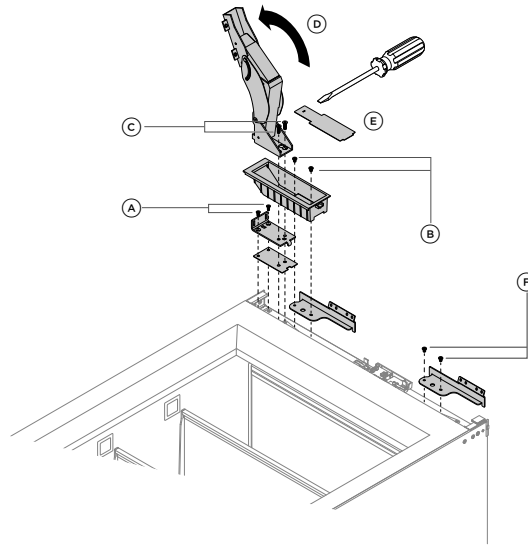
Hinge (right or left) top pocket (1)



Lower (right or left) hinge bracket (1)



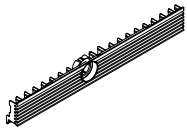
K05 top adapter bracket (1)



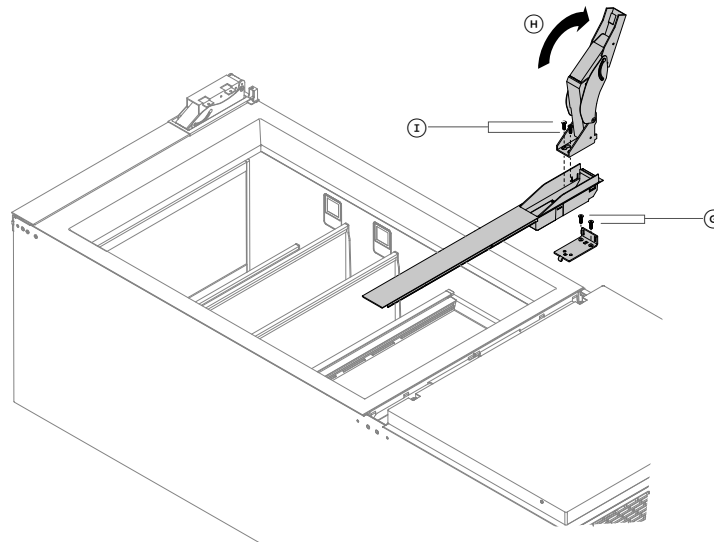
Reinstalling the top hinge

- ① Reinstall the hinge top bracket and bracket spacer with M5x12 countersunk screws **(A)** on the new hinge side at the other side of the appliance.
- ② Install the new hinge pocket and alcove top bracket on the new hinge side using two (2x) M6x16 countersunk screws **(B)**.
 - The new hinge pocket and top alcove bracket are supplied with the hinge kit.
- ③ Install the new hinge in the new hinge pocket by screwing M6x16 countersunk screws (2x) **(C)**.
- ④ Open the hinge **(D)** and reinstall the top hinge pocket cover **(E)** to the top hinge pocket..
- ⑤ Install a new top alcove bracket on the new non-hinge side **(F)**.

Top grille assembly



Top grille (1)

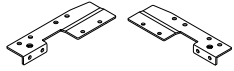


Reinstalling the middle door hinge

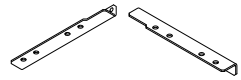
- ① Reinstall the middle hinge bracket and spacer with M5x12 countersunk screws **(G)**.
- ② Open the middle hinge **(H)** and reinstall the hinge with M6x16 countersunk screws **(I)**.

CHANGE THE DOOR HINGES (OPTIONAL)

Hinge change assembly

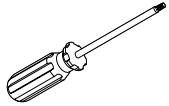


K05 top adaptor bracket R/L (1)

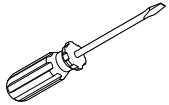


K05 bottom adaptor bracket R/L (1)

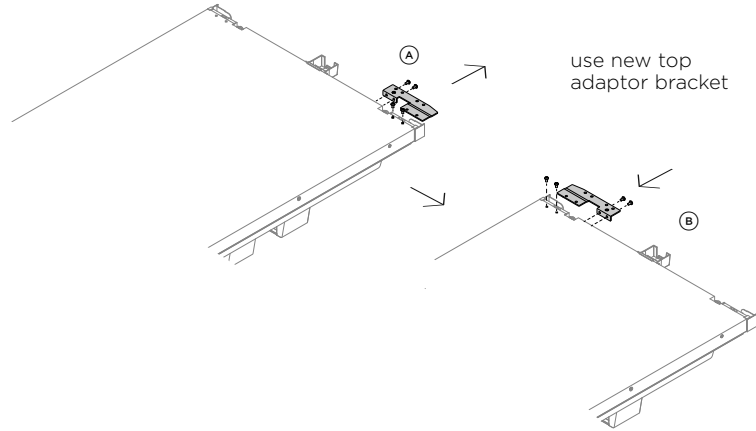
Tools



T2 star-head screwdriver

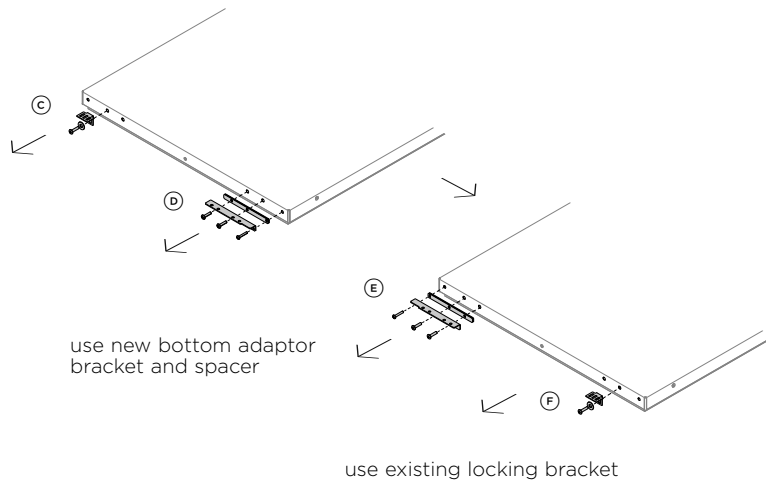


Flat-head screwdriver



Changing the top door bracket

- ① Unscrew the M5x10 screws (4x) to remove the top adaptor bracket from the top of the door (**A**).
- ② Install the new top adaptor bracket into the other side of the top of the door with M5x10 screws (4x) (**B**).

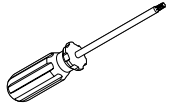


Changing the bottom door bracket

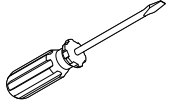
- ① Remove the door panel locking bracket and washer from the bottom of the door by unscrewing M6x25 screw (1x) (**C**).
- ② Remove the bottom adaptor bracket and spacer from the bottom of the door by unscrewing M6x25 screws (2x) and M5x30 screw (1x) (**D**).
- ③ Install the new bottom adaptor bracket and existing spacer to the other side of the door with M6x25 screws (2x) and M5x30 screw (1x) (**E**).
- ④ Install the existing door panel locking bracket and washer to the other side of the door with M6x25 screw (1x) (**F**).

CHANGE THE DOOR HINGES (OPTIONAL)

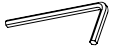
Tools



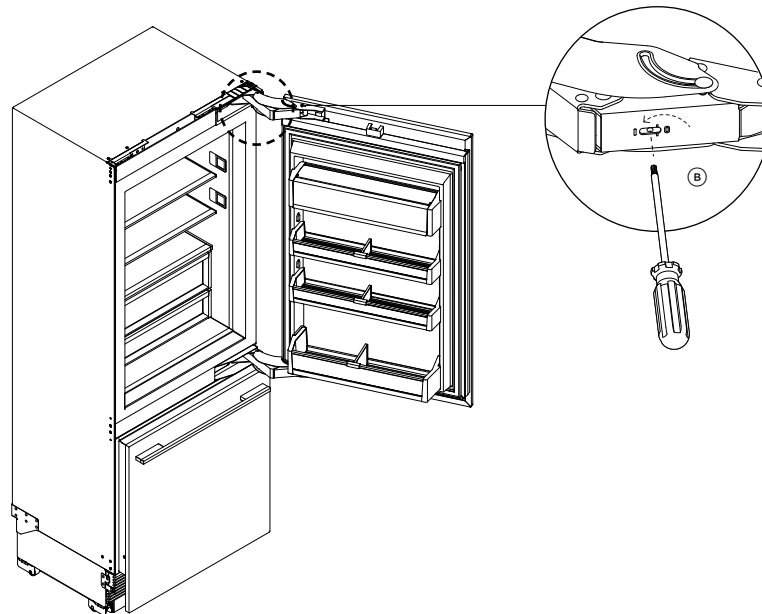
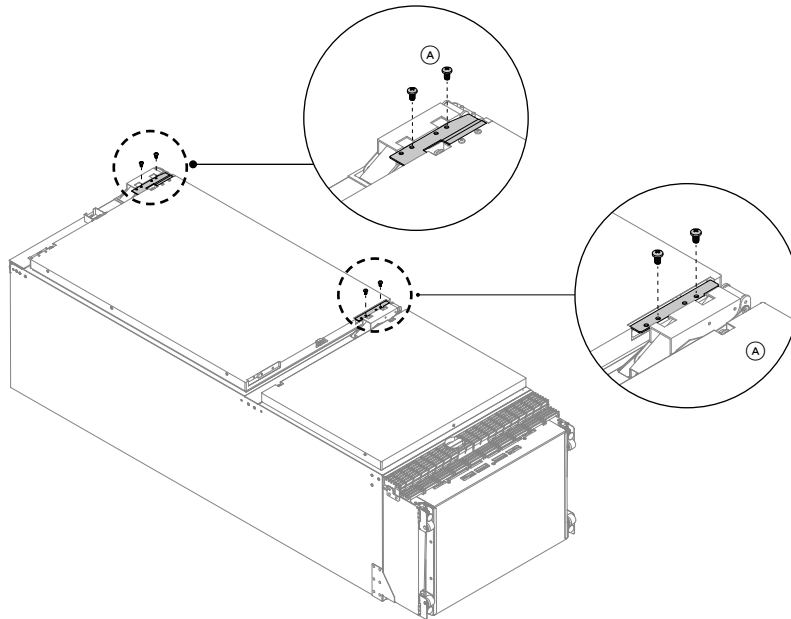
T2 star-head screwdriver



Flat-head screwdriver



Hex key



Reinstalling the door

- ① Secure the door to the top and middle hinges of the appliance using M6x10 hex screws (4x). **(A)**

- ② Activate the hinge spring by turning the star T20 screws to the I position. **(B)**
- ③ Return the appliance to the upright position, and reinstall all covers and trims.

FINAL CHECKLIST



TO BE COMPLETED BY THE INSTALLER

All models

- Check all parts are installed.
- Ensure the appliance is level.
- Ensure the appliance is securely fastened to the cabinetry with the supplied anti-tip bracket and fittings.
- Ensure the door can open and close freely with no resistance from surrounding cabinetry.
- Ensure hinge limiting pin is fitted for 90° door swing.
- Ensure all internal and external packaging is removed from the appliance before use.
- Ensure that you write down and keep the wifi password, serial and model numbers of your appliance.

Complete and keep for safe reference:

Model _____

Serial No. _____

Purchase Date _____

Purchaser _____

Dealer Address _____

Installer's Name _____

Installer's Signature _____

Installation Company _____

Installation Date _____

FISHERPAYKEL.COM

© Fisher and Paykel Appliances 2020. All rights reserved.

The appliance specifications in this document apply to the specific appliances and models described at the date of issue. Under our policy of continuous appliance improvement, these specifications may change at any time. You should therefore check with your Dealer to ensure this document correctly describes the appliance currently available.

For current details about model and specification availability in your country, go to our website fisherpaykel.com or contact your local Fisher & Paykel dealer.

NZ AU GB IE

863027A 04.20