

# Integrated French Door Refrigerator Freezer, 36", Ice & Water

Series 7 | Integrated

Panel Ready | French hinge

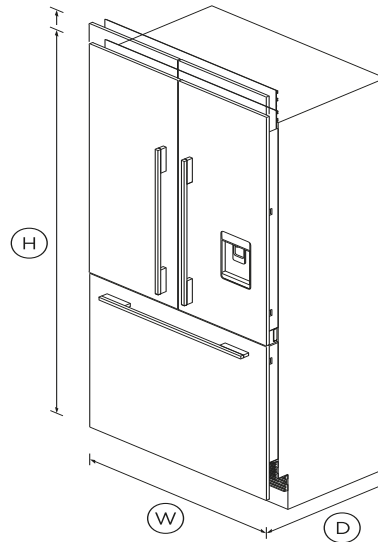


This large capacity refrigerator with bottom freezer seamlessly integrates into your kitchen, fitting flush into your cabinetry.

- ActiveSmart™ technology helps keep food fresher for longer by constantly maintaining the ideal temperature
- Stainless steel door panel purchased separately – with water dispenser option available
- Internal ice maker with boost for busy times
- Can be fitted for a height of 80 or 84 inches

## DIMENSIONS

Height	79 13/16"
Width	35 1/16"
Depth	23 3/4"



## FEATURES & BENEFITS

### ActiveSmart™ Foodcare

ActiveSmart™ Foodcare learns how you live. It's technology which understands how you use your fridge and adjusts temperature, airflow and humidity inside to help keep food fresher for longer.

### Easy cleaning

No more permanent dirty marks with our EZKleen feature for stainless steel refrigerators. Anti-fingerprint coating means you

simply wipe clean any marks. Spill-safe secure glass shelves easily capture any drips or leaks.

### Water on tap

The slimline dispenser makes it easy to fill almost any sized jug or vessel with cool filtered water and doesn't take up any storage space in your refrigerator.

### Ice maker

Fresh ice is always available for you in a dedicated freezer bin. Simply turn it off to free up freezer space or during busy times, you can boost ice production by up to 30%.

### Design quality

Our refrigerators are designed and built using quality materials. We use real stainless steel on our refrigerators and solid glass for shelving.

### Simple storage

This refrigerator is designed to make it simple for you to store, access and remove food. Storage bins give you full access inside when they're pulled open and can be easily removed to clean. Our flexible shelving also gives you more storage options.

### Complementary Design

With their premium handle styling and stainless steel finish, our refrigerators are designed to match the rest of Fisher & Paykel's kitchen appliance family.

## SPECIFICATIONS

### Accessories

Contemporary round handle	AHS-ASBI-A
Contemporary square handle	RS36A
Professional round flush handle	AHP3RD36A
Professional round handle kit	AHCRS36A
Professional square handle kit	AHV2RS36A
Replacement water filter	FWC3

Square fine aluminium handle	<b>AHD5RD36A</b>
Square fine black handle kit	<b>AHD5RD36AB</b>
Stainless steel door panel	<b>RD3680AU (80") or</b>

**Capacity**

Volume	<b>16.8cu ft</b>
Volume freezer	<b>5.1cu ft</b>
Volume refrigerator	<b>11.7cu ft</b>

**Consumption**

Energy rating	<b>Energy star</b>
Energy usage	<b>561kWh/year</b>

**Features**

Adjustable door shelves	<b>6</b>
Adjustable glass cantilevered	<b>•</b>
Covered door shelves	<b>2</b>
Deli storage bins	<b>1</b>
Door alarm	<b>•</b>
Fruit and vegetable bins	<b>2</b>
LED lighting	<b>•</b>
SmartTouch control panel	<b>•</b>
Stackable bottle holders	<b>4</b>
Ultra slim water dispenser	<b>•</b>
Water Filter	<b>Part number 842802</b>

**Freezer Features**

Automatic ice maker	<b>•</b>
Bottle chill	<b>•</b>
Door alarm	<b>•</b>

Fast freeze	<b>•</b>
Freezer bins	<b>1</b>
Ice Boost	<b>•</b>
LED lighting	<b>•</b>
Slide Out Pastry Tray	<b>•</b>

**Performance**

ActiveSmart™ Foodcare	<b>•</b>
Adaptive defrost	<b>•</b>
Automatic defrost	<b>•</b>
Frost free freezer	<b>•</b>
Humidity control system	<b>•</b>
Sabbath mode	<b>•</b>

**Power requirements**

Supply frequency	<b>60Hz</b>
Supply voltage	<b>115V</b>

**Product dimensions**

Depth	<b>23 3/4"</b>
Height	<b>79 13/16"</b>
Width	<b>35 1/16"</b>

**Warranty**

Parts and labour	<b>2 years</b>
Sealed system parts only	<b>5 years</b>

SKU	<b>25804</b>
-----	--------------

The product dimensions and specifications in this page apply to the specific product and model. Under our policy of continuous improvement, these dimensions and specifications may change at any time. You should therefore check with Fisher & Paykel's Customer Care Centre to ensure this page correctly describes the model currently available. ? Fisher & Paykel Appliances Ltd 2020



**A PEACE OF MIND SALE**

24 Hours 7 Days a Week Customer Support

T 1.888.936.7872 W [www.fisherpaykel.com](http://www.fisherpaykel.com)