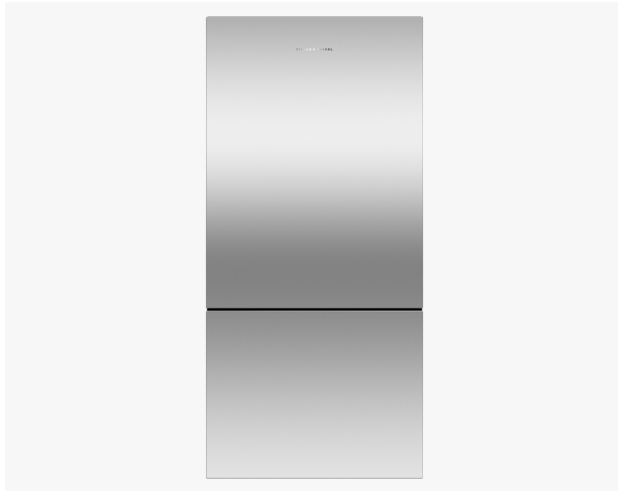


Freestanding Refrigerator Freezer, 79cm, 473L

Series 5 | Contemporary

Stainless Steel | Left hinge

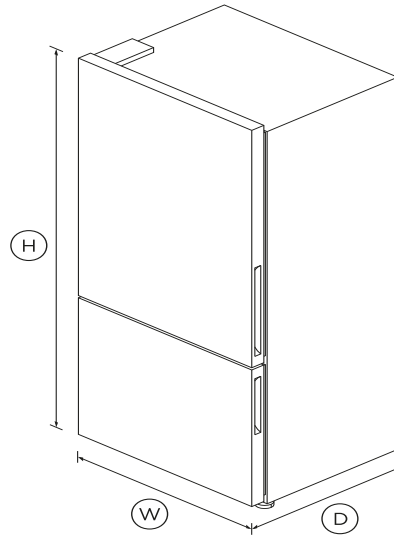


With ample storage and a stylish stainless steel finish, for a timeless look.

- ActiveSmart™ technology helps keep food fresher for longer by constantly maintaining the ideal temperature.
- Spacious bottom freezer with easy-slide internal drawers to separate storage

DIMENSIONS

Height	1720mm
Width	790mm
Depth	695mm



FEATURES & BENEFITS

Designed to match

With their premium stainless steel finish, our refrigerators are designed to match the rest of Fisher & Paykel's kitchen appliance family.

Humidity control

Your fruit and veges need different environments. The humidity control slides in each storage bin create a perfect microclimate for each, which helps keep them fresher for longer.

Easy cleaning

Removable, spill-safe glass shelves are easy to clean and contain drips and spills. Storage bins and white steel doors just need a wipe to keep spotless.

Design quality

Our refrigerators are designed and built using quality materials. We use real stainless steel, and solid glass for shelving.

Clever energy

Your refrigerator adapts to daily use by cooling and defrosting only when needed. This means it uses the energy it needs without compromising on food care.

Simple storage

This refrigerator is designed to make it simple for you to store, access and remove food. Storage bins give you full access inside when they're pulled open and can be easily removed to clean. Our flexible shelving also gives you more storage options.

SPECIFICATIONS

Capacity

Total net volume	463L
------------------	------

Consumption

Energy rating	2 ticks
Energy usage	475kWh/year

Features

Adjustable door shelves	4
Adjustable glass shelves	4
Covered door shelves	2
Door alarm	•
Front levelling feet	•
Fruit and vegetable bins	2

LED lighting	•
Rear rollers	•
SmartTouch control panel	•
Stackable bottle holders	2

Parts and labour	2 years
Sealed system parts only	5 years

SKU	25452
-----	-------

The product dimensions and specifications in this page apply to the specific product and model. Under our policy of continuous improvement, these dimensions and specifications may change at any time. You should therefore check with Fisher & Paykel's Customer Care Centre to ensure this page correctly describes the model currently available. © Fisher & Paykel Appliances Ltd 2020

Freezer Features

Bottle chill	•
Door alarm	•
Fast freeze	•
Freezer bins	2
Ice trays	2
Large plastic bins	•
Slide Out Pastry Tray	•

Performance

ActiveSmart™ Foodcare	•
Adaptive defrost	•
Frost free	•
Frost free freezer	•
Humidity control system	•
Inverter controlled compressor	•
R600a refrigerant	•

Product dimensions

Depth	695mm
Height	1720mm
Width	790mm

Warranty

Other product downloads available at fisherpaykel.com

- [↓](#) User Guide
- [↓](#) User Guide
- [↓](#) Service & Warranty
- [↓](#) Installation Guide
- [↓](#) Install Guide - Water Filter Replacement
- [↓](#) Data Sheet Freestanding Refrigerator Freezer



A PEACE OF MIND SALE

24 Hours 7 Days a Week Customer Support

T +65 6741 0777 W www.fisherpaykel.com