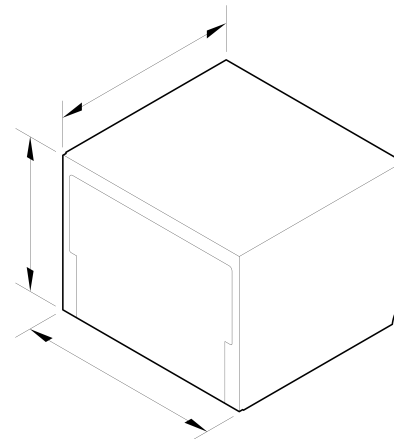


# Series 11 Integrated Tall Single DishDrawer Dishwasher, Water Softener

- Wi-Fi connected for remote control and helpful alerts using the Haier Smart Home app

## DIMENSIONS

Height	454 mm
Width	599 mm
Depth	553 mm



## FEATURES & BENEFITS

### Seamless Integration

With the flexibility of ergonomic placement and function, single DishDrawer™ Dishwashers can be distributed throughout the kitchen to support patterns of use. The touch-sensitive control panel is located inside this Integrated model, leaving an uninterrupted exterior that blends seamlessly with surrounding cabinetry.

### Ease Of Use

DishDrawer™ Dishwashers are beautiful to use with soft-close drawers, and can be conveniently positioned at bench height for ease of loading and minimal bending. Flexible racking includes height-adjustable cup racks and wine glass supports.

### Flexible Wash Options

Eight wash programs including Auto, 60min and Glassware, while modifiers such as Sanitise, Dry+ and Quiet provide added wash flexibility. The Quiet wash modifier reduces the noise on some cycles while maintaining performance – perfect for late night washing.

### Design Quality

Every detail has been carefully crafted using quality materials, from the easy-to-clean stainless steel interior to the spray arm sensor that detects jams for increased wash confidence.

### Control from anywhere

Get the most out of your connected appliance with the Haier Smart Home app. Connect and monitor your smart DishDrawer™ Dishwasher while conveniently accessing the latest tips, remote status notifications, and more.

### Quiet Performer

Running at a low decibel rating of 43dBA, these DishDrawer™ Dishwashers do their job without making a fuss. The combination of intelligent technology and simple mechanics means greater reliability and excellent wash performance.

### Efficient Performance

This DishDrawer™ Dishwasher uses the water it needs without compromising on wash performance.

## SPECIFICATIONS

### Accessories (included)

- Cutlery basket

Integrated



Place anywhere in your kitchen at bench height for easy loading and seamless integration. Features a premium stainless steel interior.

- Eight wash cycles from Heavy to Light, including Auto, 60min and Glassware
- Fits plates up to 310mm, with flexible racking to accommodate other large cookware
- With soft-close drawers, and knock to pause convenience

Knife clip and multipurpose clip •

**Accessories (sold separately)**

Door panel black stainless steel **ADDD60STPB**  
 Door panel stainless steel **ADDD60STPX**  
 Handle kit Contemporary square fine, aluminium **AHD5DDDW60S**  
 Handle kit Contemporary square fine, black **AHD5DDDW60B**

**Capacity and loading**

Accommodates round plates up to **310mm**  
 Adjustable height, foldable cupracks •  
 Fold down tines •  
 Pitch adjustable tines •  
 Place settings **8**  
 Wine glass supports with stemware grippers •

**Connected Features**

Alerts and notifications •  
 Education and onboarding •  
 Monitoring •  
 Software updates •

**Consumption**

Cleaning Index **1.2**  
 Drying Index **1.25**  
 Energy consumption **0.55kWh/cycle**  
 Energy rating **Grade 1**

Water consumption **6.8L**

**Controls**

Electronic fault/Diagnostic indicator •  
 End of cycle beeps •  
 Energy saving delay start option of up to 12 hours •  
 Internal wash selector •  
 Keylock •  
 Knock to pause •  
 Rinse aid indicator light •  
 Smart appliance •  
 Spray arm sensing •  
 Wi-Fi connectivity •

**Features**

Built-in water softener •  
 Fan assisted drying •  
 Flood protection •  
 Flow through detergent dispenser •  
 Internal tub material **Stainless steel**  
 Motor type **BLDC**  
 Quiet operation •  
 SmartDrive™ technology •  
 Soft close drawer •  
 Three-stage filtration system •

**Performance**

Noise emissions **43 dBA**

**Power requirements**

Amperage **5A**  
 Supply frequency **50Hz**  
 Supply voltage **220 - 240V**

**Product dimensions**

Depth **553 mm**  
 Height **454 mm**  
 Width **599 mm**

**Wash Program Modifiers**

Dry + •  
 Quiet •  
 Sanitise •  
 Wash modifiers **3**

**Wash Programs**

60 min •  
 Auto •  
 Eco •  
 Glassware •  
 Heavy •  
 Light •  
 Medium •  
 Rinse •  
 Wash programs **8**

**Water connection**

Water pressure	<b>100kPa - 1000kPa</b>
Water supply	<b>3/4" BSP (20mm) Connector Water Inlet Hose</b>

---

SKU	84248
-----	-------

---

The product dimensions and specifications in this page apply to the specific product and model. Under our policy of continuous improvement, these dimensions and specifications may change at any time. You should therefore check with Fisher & Paykel's Customer Care Centre to ensure this page correctly describes the model currently available. © Fisher & Paykel Appliances Ltd 2020

**Other product downloads available at fisherpaykel.com**

- [↓](#) DWG
- [↓](#) DXF
- [↓](#) Installation Guide (English)
- [↓](#) Installation Guide (Chinese)
- [↓](#) Planning Guide (Chinese)
- [↓](#) Planning Guide (English)
- [↓](#) Planning Guide (Chinese)
- [↓](#) Revit
- [↓](#) Rhino
- [↓](#) SketchUp
- [↓](#) User Guide (English)
- [↓](#) User Guide (Chinese)
- [↓](#) Water Efficiency Label

Where applicable:

All appliances use energy, and energy usage typically generates carbon emissions. **Fisher & Paykel Appliances' In-use Energy Carbon Emissions Estimate** indicates carbon emissions from a product's in-use energy. This is calculated either annually or per cycle, using the product's market-specific energy label energy consumption data multiplied by the carbon emissions factor for energy in your country or region.

Our In-use Energy Carbon Emissions Estimate is designed to assist customers in making informed purchasing decisions when comparing different Fisher & Paykel products. For example, a heat pump dryer typically has a lower In-use Energy Carbon Emissions Estimate than a vented dryer.