

# Wine Cabinet, 83 Bottle

Series 7 | Contemporary

Stainless Steel

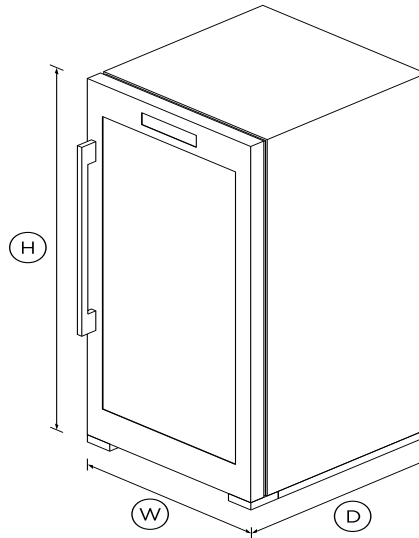


This stylish stainless steel Wine Cabinet provides a stable temperature and humidity environment for your wine collection, no matter the varietal.

- 83 bottle capacity
- With dual temperature zones, to ensure you can perfectly store wines of all varieties
- Brushed metal handle

## DIMENSIONS

Height	1270 mm
Width	595 mm
Depth	639 mm



## FEATURES & BENEFITS

### Total control

Maintaining the perfect environment for your red and white wines is easy with dual zones in your wine cabinet. The control panel gives you the ability to set each zone to between 5°C and 20°C and to adjust LED lighting and fans.

### Complete visibility

Your wine collection is always on display through UV tempered glass and LED lighting. Bottles nestle on stylish oak slide out shelves and a top shelf tilts so you can showcase your favourite

wines.

## SPECIFICATIONS

### Capacity

Litres	206L
Number of bottles	83 bottles
Total capacity	206L

### Features

Fixed shelves	2
LED lighting	•
Low vibration compressor	•
Removable solid oak shelves	5
Tiltable presentation shelf	1
UV tempered glass door	•

### Performance

Air circulating fans	•
Door lock	•
Dual Zone	•
Energy rating	B
Energy usage	208kWh/year
Fixed shelves	2
LED lighting	•
Removable solid oak shelves	5
Temperature selectable 5-20°C	•
Tiltable presentation shelf	1
Touch sensitive control panel	•
UV tempered glass door	•

---

**Product dimensions**

Depth	<b>639 mm</b>
Height	<b>1270 mm</b>
Width	<b>595 mm</b>

---

**Warranty**

Parts and labour	<b>5 years</b>
------------------	----------------

---

SKU	24950
-----	-------

---

TEST The product dimensions and specifications in this page apply to the specific product and model. Under our policy of continuous improvement, these dimensions and specifications may change at any time. You should therefore check with Fisher & Paykel's Customer Care Centre to ensure this page correctly describes the model currently available. ? Fisher & Paykel Appliances Ltd 2020

---

**Other product downloads available at fisherpaykel.com**

- [↓](#) User Guide
- [↓](#) Service & Warranty Booklet
- [↓](#) Installation Guide
- [↓](#) Resources (zip)

**A PEACE OF MIND SALE****24 Hours 7 Days a Week Customer Support****T 08000 886 605 W**[www.fisherpaykel.com](http://www.fisherpaykel.com)