

# Front Loader Washing Machine, 8.5kg

Series 5 | Front Load

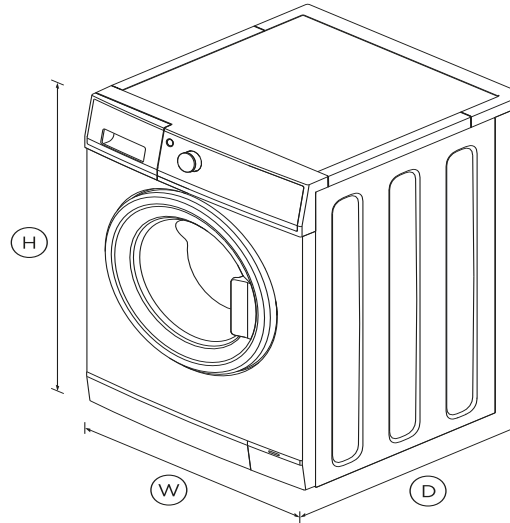


This front loader cares for all kinds of fabrics, with a cycle for everything from delicates to bulky items.

- 13 wash cycles including Allergy, Handwash and SuperQuick
- Add a Garment function allows you to add items mid cycle
- 4.5-star water and 4-star energy rating

## DIMENSIONS

|              |              |
|--------------|--------------|
| <b>Width</b> | <b>600mm</b> |
| <b>Depth</b> | <b>645mm</b> |



## FEATURES & BENEFITS

### Quiet performer

SmartDrive™ uses a direct drive motor, removing the need for belts, pulleys and the traditional block designed to hold down the machine. Without these heavy components, it vibrates less for a quieter wash.

### Add a Garment

Missed an item from your wash? Our Add a Garment function allows you to pause your wash cycle, open the door and add or remove items, then carry on washing.

### Quick wash cycles

Vortex Wash speeds up the cleaning process so most cycles take less than an hour to complete. During the tumble action, water is forced from the bottom of the drum up through your clothes so detergent and heat reach your fabric faster.

### Easy to use

This machine has a cycle to suit every load type including delicates, sportswear and woollens. Select a cycle with the easy to use SmartTouch™ control dial.

### Energy efficient

Our front loaders can be installed with both hot and cold water inlets, allowing for better energy efficiency and quicker wash cycles. Cold water can be heated within the washing machine or hot water can be drawn directly from your plumbing.

### Timed dispenser

A liquid dispenser ensures detergent is distributed at exactly the right time in the cycle to optimise wash performance.

## SPECIFICATIONS

### Consumption

|                             |                |
|-----------------------------|----------------|
| Annual energy consumption   | <b>320kWh</b>  |
| Energy rating               | <b>4 stars</b> |
| Water consumption per cycle | <b>73L</b>     |
| Water star rating           | <b>4.5</b>     |

### Features

- Add a garment (immediate)
- Anti-fungal door gasket
- Auto out of balance correction
- Automatic water level
- Delay start
- Extra rinse option
- Flood protection

|                            |            |
|----------------------------|------------|
| Keylock                    | •          |
| Pre Wash                   | •          |
| Progress indicator         | •          |
| SmartTouch™ control dial   | •          |
| Soil levels                | 3          |
| Spin speeds                | 4          |
| Stainless steel drum       | •          |
| Timed liquid detergent     | •          |
| Water supply               | Hot & Cold |
| Water temperature controls | 5          |
| Wrinkle Free               | •          |

**Performance**

|                             |          |
|-----------------------------|----------|
| Maximum spin speed          | 1400 rpm |
| Smart Diagnosis of problems | •        |
| SmartDrive™ technology      | •        |
| Vortex Wash                 | •        |

**Product dimensions**

|       |       |
|-------|-------|
| Depth | 645mm |
| Width | 600mm |

**Warranty**

|                              |          |
|------------------------------|----------|
| Parts only SmartDrive™ Motor | 10 years |
|------------------------------|----------|

**Wash Cycles**

|         |   |
|---------|---|
| Allergy | • |
| Bulky   | • |
| Cottons | • |

|                       |    |
|-----------------------|----|
| Customise cycle       | •  |
| Delicate              | •  |
| Drum Clean            | •  |
| Eco                   | •  |
| Everyday              | •  |
| Handwash              | •  |
| Heavy                 | •  |
| Number of wash cycles | 13 |
| Quick                 | •  |
| Rinse                 | •  |
| Spin                  | •  |
| Super Quick           | •  |

SKU 93254

TEST The product dimensions and specifications in this page apply to the specific product and model. Under our policy of continuous improvement, these dimensions and specifications may change at any time. You should therefore check with Fisher & Paykel's Customer Care Centre to ensure this page correctly describes the model currently available. ? Fisher & Paykel Appliances Ltd 2020



**A PEACE OF MIND SALE**

24 Hours 7 Days a Week Customer Support

T 1300 650 590 [www.fisherpaykel.com](http://www.fisherpaykel.com)