

# Combination Steam Oven, 60cm, 9 Function

Series 9 | Minimal

Black

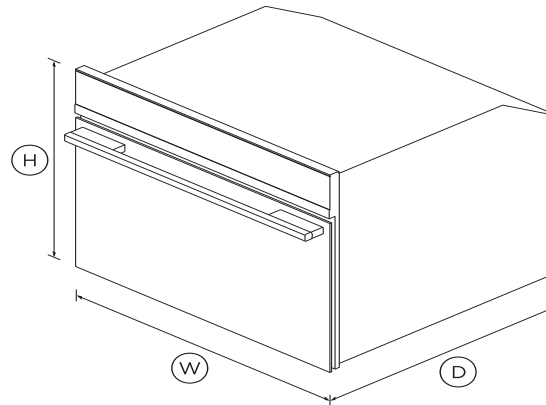


Reduce the need for oils and fats with steam cooking, paired with convection oven functions for cooking flexibility.

- 36L total capacity
- Cooking flexibility with nine oven functions, including five Steam functions, Grill and Fan Forced
- Steam cooking allows you to cook a food in its own juices, to retain nutrients and flavour
- Designed to match aesthetically with companion products such as warming drawers, for flexible cooking configurations

## DIMENSIONS

Height	458mm
Width	596mm
Depth	562mm



## FEATURES & BENEFITS

### Sized To Suit

The compact 46cm height means this Combination Steam Oven can be placed almost anywhere. companion products share the same dimensions and can be installed in multiple configurations to suit your kitchen design and preference.

### Cooking flexibility

The Combination Steam Oven allows ingredients to retain their nutrients, moisture content and colouration. With nine oven modes, it doesn't just Steam, but also has Grill and Fan functions.

### Easy to use

An easy to use, intuitive display shows the time and provides useful information about functions along with a refill alert.

### Beauty Of Choice

With the choice of a stylish stainless steel or elegant black trim, our companion products help you achieve a coherent kitchen aesthetic that suits your design style.

### Easy Cleaning

Cleaning and care of the Combination Steam Oven is easy. Simply wipe the smooth stainless steel interior with a dry cloth after each use.

### Safe And Sound

The CoolTouch door is safe to touch from the outside, protecting your hands and the surrounding cabinetry.

## SPECIFICATIONS

### Accessories

Baking pan	1
Perforated large dish	1
Wire shelf	1
Wired temperature sensor	1

### Accessories (sold separately)

Optional 76cm trim kit	Part 81940
------------------------	------------

### Capacity

Shelf positions	3
Total capacity	36L
Usable capacity	29L

### Cleaning

- Easy clean stainless steel
- Removable water tank
- Steam clean (oven)

**Controls**

- Adjustable audio and display
- Automatic cooking/minute
- Automatic pre-set
- Celsius/Fahrenheit
- Delay start
- Electronic capacitive touch
- Electronic clock
- Electronic oven control
- Food probe
- Guided cooking by food type
- Halogen lights
- Intuitive touchscreen display

**Functions**

- Fan forced
- Fan grill
- Grill
- Number of functions **9**
- Ring + grill
- Steam + ring
- Steam 100 (100°C / 210°F)
- Steam 130 (130°C / 265°F)
- Steam assist
- Steam clean (oven)

**Performance**

- Grill power **1500W**
- SteamTechnology

**Power requirements**

- Amperage **15A**
- Supply frequency **50Hz**
- Supply voltage **220 - 240V**

**Product dimensions**

- Depth **562mm**
- Height **458mm**
- Width **596mm**

**Safety**

- Control panel key lock
- CoolTouch door
- Safety thermostat



**Warranty**

- Parts and labour **2 years**

SKU **81924**

The product dimensions and specifications in this page apply to the specific product and model. Under our policy of continuous improvement, these dimensions and specifications may change at any time. You should therefore check with Fisher & Paykel's Customer Care Centre to ensure this page correctly describes the model currently available. ? Fisher & Paykel Appliances Ltd 2020

**Other product downloads available at fisherpaykel.com**

-  User Guide
-  Service & Warranty
-  Installation Guide
-  Data Sheet Combination Steam Oven



**A PEACE OF MIND SALE**

**24 Hours 7 Days a Week Customer Support**

**T +65 6741 0777 Wwww.fisherpaykel.com**