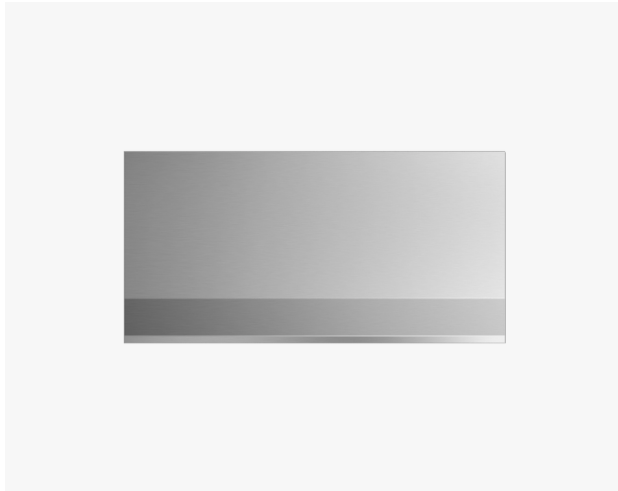


# Wall Range Hood, 36"

Series 9 | Professional

Stainless Steel

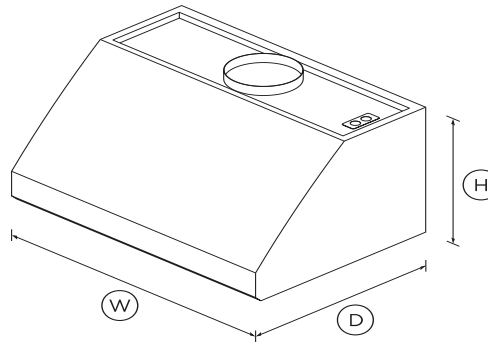


Striking design that pairs well with any appliances in our Professional range. Fast, efficient extraction of steam and odors.

- With four fan speeds, select the perfect extraction rate for your cooking
- Dishwasher safe filters that are easy to remove and clean
- Powerful 600CFM maximum airflow

## DIMENSIONS

Height	18"
Width	35 7/8"
Depth	25 1/16"



## FEATURES & BENEFITS

### Simple design

The new stainless steel range hood is tough and hardworking with a style and simplicity to fit seamlessly into your kitchen.

### Edge to edge filters

We've improved our filters to capture and extract more cooking steam, odors and grease.

### Precise control

The Professional Range Hood has been designed to give you

better control with sturdy stainless steel dials to set your desired fan speed and light level.

### Effective extraction

Our Range Hood filters have been improved to capture more cooking steam, odors and grease. They're easy to remove and clean - simply put them in your DishDrawer™ dishwasher.

### Heat lamp

Accessorize your kitchen and cook like a pro by adding our contemporary heat lamps to your 36" or 48" range hood.

### Your kitchen, your style

Enhance your culinary experience in the kitchen with our Range Hood accessories from heat lamps through to duct covers. Choose a range hood to fit your kitchen - there are three different sizes. For the 36" models, your range hood can come with one or two blowers to give you up to 1200CFM of extraction airflow.

## SPECIFICATIONS

### Accessories (sold separately)

12" Vertical duct cover	HCC3612
6" Vertical duct cover	HCC3606
Infrared warming lights	HIR36
Light bulb	104176P

### Installation and cleaning

Air outlet size	8"
Dishwasher safe filters	2
Ducted	Top extraction
Recirculation	Ducted only

### Performance

Extraction type	Surface
-----------------	---------

Fan speeds	4
------------	---

Filter type	Stainless Steel Baffle
-------------	------------------------

---

#### Power requirements

Lighting power	50W
----------------	-----

Motor power	455W
-------------	------

Supply voltage	120V
----------------	------

Total Power	555W
-------------	------

---

#### Product dimensions

Depth	25 1/16"
-------	----------

Height	18"
--------	-----

Width	35 7/8"
-------	---------

---

#### Product information

Control type	Rotary switch
--------------	---------------

---

#### Ventilation features

Dimmable lights	•
-----------------	---

Light type	Halogen
------------	---------

---

#### Warranty

Parts and labour	2 years
------------------	---------

---

SKU	50103
-----	-------

---

specifications may change at any time. You should therefore check with Fisher & Paykel's Customer Care Centre to ensure this page correctly describes the model currently available. © Fisher & Paykel Appliances Ltd 2020

---

#### Other product downloads available at fisherpaykel.com

[Service & Warranty](#)[Installation & User Guide EN / Guide d'installation et guide d'utilisation FR](#)[Installation Guide](#)[Guide d'installation FR](#)

#### A PEACE OF MIND SALE

24 Hours 7 Days a Week Customer Support

T 1.888.936.7872 [Wwww.fisherpaykel.com](http://www.fisherpaykel.com)

The product dimensions and specifications in this page apply to the specific product and model. Under our policy of continuous improvement, these dimensions and