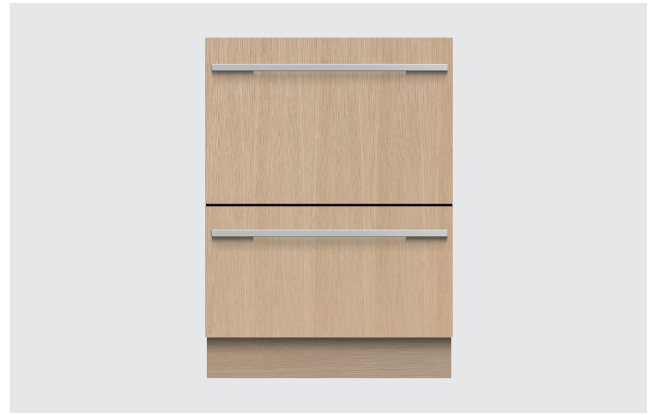


# FISHER & PAYKEL

## SPECIFICATION GUIDE

## INTEGRATED DOUBLE DISHDRAWER, SANITISE SERIES 9, INTEGRATED STYLE



### OVERVIEW

Integrating into your kitchen design seamlessly, each drawer fits a half load that you can load and wash independently.

### MODELS

#### Integrated Double DishDrawer™ Dishwasher, Sanitise

Panel Ready  
DD60DI9

#### Integrated Double DishDrawer™ Dishwasher, Sanitise

Panel Ready  
DD60DHI9

### SERIES & STYLE

Series 9  
Intergrated Style

### FEATURES

- ① Six wash programs, from delicate to heavy to suit any load
- ② Quick, Sanitise and Extra Dry provide extra wash options
- ③ Customise with your own front panel and handle to match your kitchen cabinetry, or choose our stainless steel accessory panels
- ④ Each drawer fits a half load that you can load and wash independently
- ⑤ Knock to pause function is perfect if you miss a dish
- ⑥ Flexible racking can be folded down to fit bigger dishes

### ACCESSORIES

- ① Optional contemporary square handle kit
- ② Optional contemporary round handle kit
- ③ Optional stainless steel door kit
- ④ Kickstrip
- ⑤ Two cutlery basket
- ⑥ Knife clip and multipurpose clip

# FISHER & PAYKEL

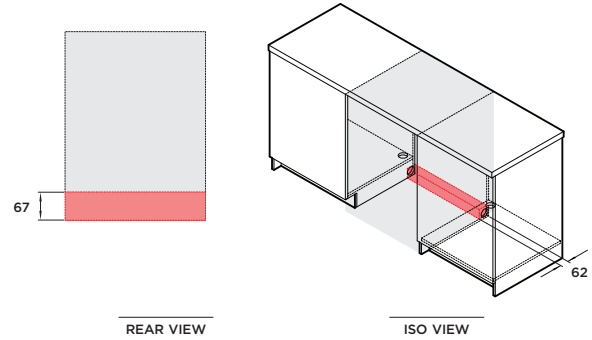
## SPECIFICATION GUIDE

## INTEGRATED DOUBLE DISHDRAWER, SANITISE SERIES 9, INTEGRATED STYLE

### SPECIFICATIONS

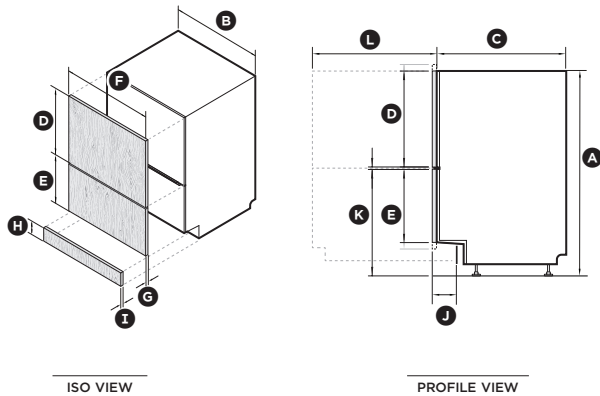
Model No.	DD60DI9, DD60DHI9
Dimensions	H 820 - 880mm x W 599mm x D 553mm
Weight	51kg
Electrical	
Supply	220-240V, 50Hz
Service	8.2A
Receptacle	3 pin earthing-type
Plumbing	
Supply	3/4" BSP (GB20) to suit flat washer
Pressure	Water softener models: max. 1 MPa (145 psi), min. 0.1 MPa (14.5 psi) Non-water softener models: max. 1 MPa (145 psi), min. 0.03 MPa (4.3 psi)

### PLUMBING AND ELECTRICAL

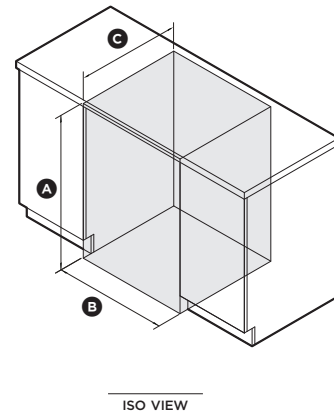


Service outlet at rear extends both sides, hoses and cords can be routed to either or both sides

### PRODUCT DIMENSIONS



### CAVITY DIMENSIONS: STANDARD INSTALLATION



	mm
(A) Overall height*	820 - 880
(B) Width of chassis	599
(C) Depth of chassis**	553
(D) Minimum height of custom upper front panel***	398
(E) Height of custom lower front panel***	311 - 360
(F) Width of custom front panels	596 - 615
(G) Depth of custom front panels	16 - 20
(H) Height of custom toe kick panel*	58 - 118
(I) Depth of custom toe kick panel	9
(J) Depth of toe kick recess	40 - 100
(K) Height from floor to top of bottom drawer panel*	414 - 474
(L) Depth of open drawer	527

	mm
(A) Overall height*	min 820
(B) Overall width	600
(C) Minimum overall depth of cavity**	576

\*Depending on adjustment of levelling feet

\*\*Assumes a door panel thickness of 19mm

\*Includes adjustable mounted feet and the range of movement.

\*\*Does not include the custom drawer panels, handles or toekick panel to be manufactured and fitted by cabinetmaker.

\*\*\*The top drawer panel may be extended up, or the bottom panel down from the fixed gap between both. Adjust the height of the toekick panel accordingly.